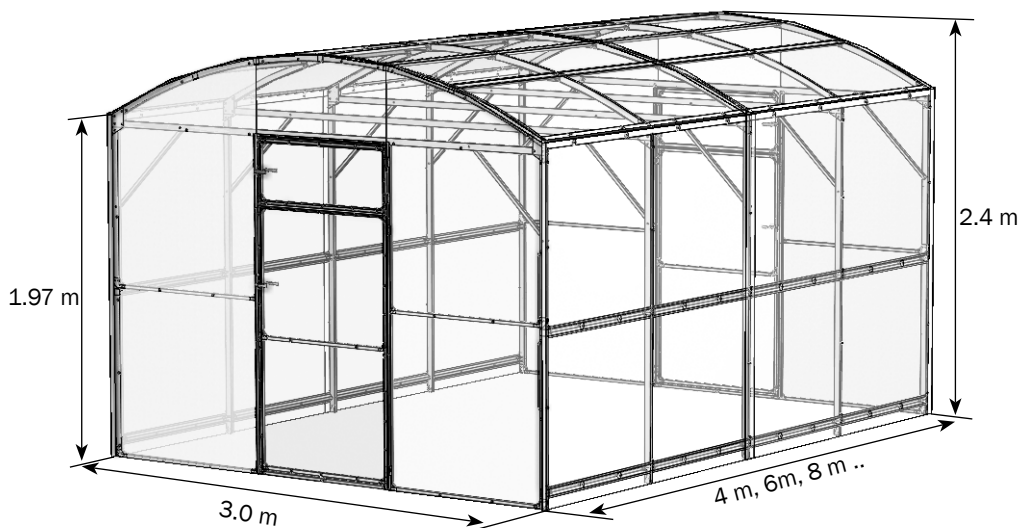
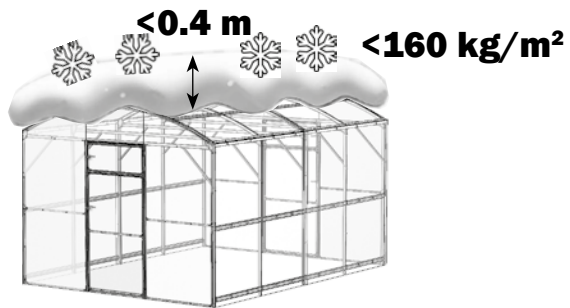
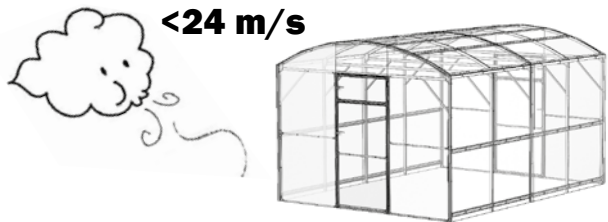
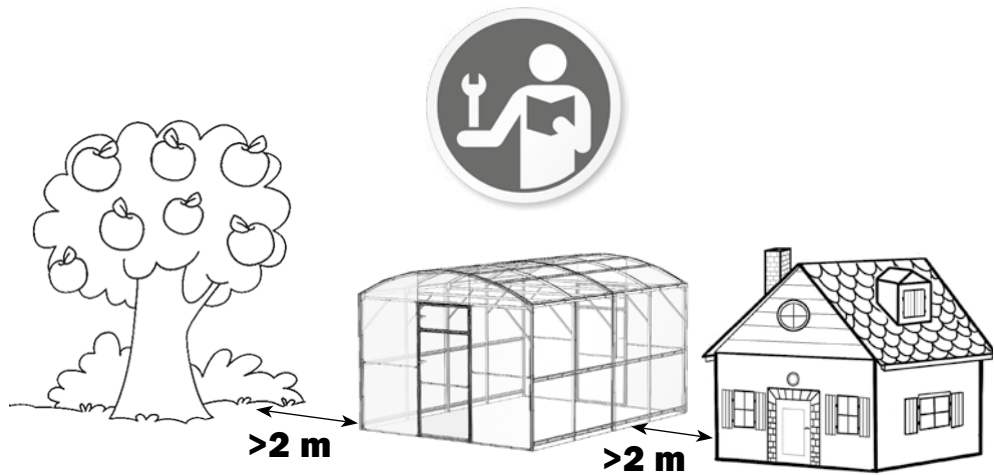


# PRIMA 3

**model 2022**

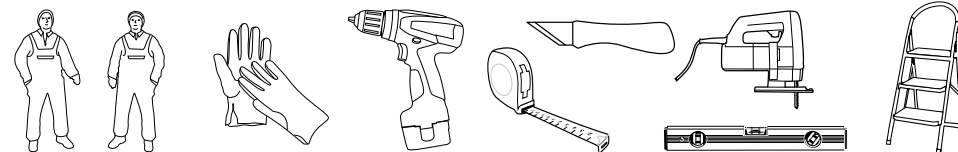


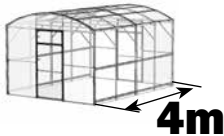








































<b>L</b>		
<b>4 m</b>	0	x 4
<b>6 m</b>	x 1	x 6
<b>8 m</b>	x 2	x 7
<b>10 m</b>	x 3	x 9
<b>12 m</b>	x 4	x 10
<b>14 m</b>	x 5	x 12
<b>16 m</b>	x 6	x 13
<b>18 m</b>	x 7	x 15
<b>20 m</b>	x 8	x 16










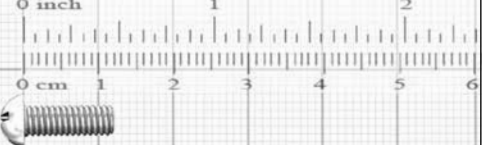


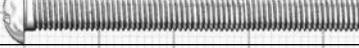



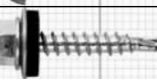






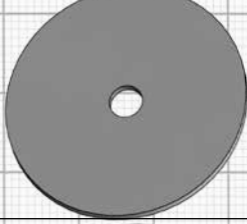
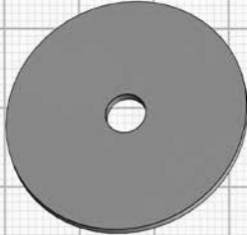
**24x**



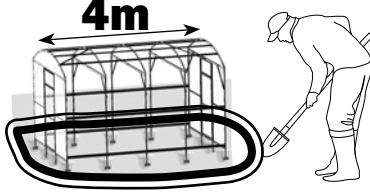



				
№ 1				
1	<b>2</b>		0.98 m	x 36
2	<b>УС</b>		1.08 m	x 2
№ 2				
3	<b>8-2</b>		1.484 m	x 2
4	<b>8-1</b>		1.480 m	x 2
5	<b>11</b>		0.99 m	x 4
6	<b>9-2</b>		1.89 m	x 2
7	<b>9-1</b>		1.89 m	x 2
8	<b>12</b>		1.48 m	x 2
9	<b>12-1</b>		1.48 m	x 2
10	<b>12-2</b>		0.36 m	x 2
11	<b>12-4</b>		0.36 m	x 2
12	<b>13-1</b>		0.85 m	x 8
13	<b>13</b>		0.85 m	x 2
14	<b>14</b>		0.7m	x 10
№ 3				
15	<b>4BT</b>		1.59 m	x 2
16	<b>4BT-1</b>		1.59 m	x 2
17	<b>4</b>		1.59 m	x 3
18	<b>4-1</b>		1.59 m	x 3

№ 4				
19	<b>10</b>		1.89 m	x 6
20	<b>10-2</b>		1.89 m	x 2
21	<b>10-1</b>		1.89 m	x 2
22	<b>5</b>		1.54 m	x 3
23	<b>5-1</b>		1.54 m	x 3
24	<b>5T</b>		1.54 m	x 2
25	<b>5T-1</b>		1.54 m	x2
№ 5				
26	-		1.02 m	x 8
27	<b>y1</b>		0.75 m	x 2
28	<b>y2</b>		0.75 m	x 2
29	<b>y8</b>		0.75 m	x 2
30	<b>y9</b>		0.75 m	x 2
31	<b>y10</b>		0.41 m	x 2
32	<b>y7</b>		0.85 m	x 4
33	<b>y17</b>		0.41 m	x 2
№ 6				
34	-			x 27
35	-			x 27
36	-			x 18
37	-			x 8
38	-			x 8

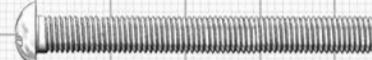
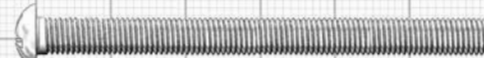



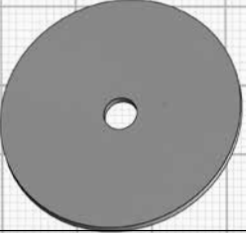

39			x 32
40			x 32
41			x 8
42			x 4
44			x 4
45			x 4
46			x 1
47			x 20
48			x 4
49	M4x12		x 104
50	M4x35		x 32
51	M5x30		x 42
52	M5x45		x 20
53	M5x60		x 10
54	M5x30		x 62
55	M6x16		x 40
56	4.8x19		x 400


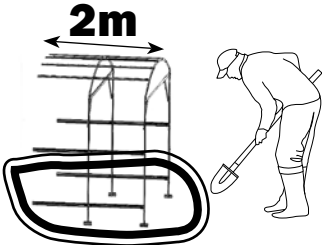


57	M4		x 136
58	M5		x 142
59	M6		x 40
60	10		x 16
61	32x4		x 64
62	32x5		x 10

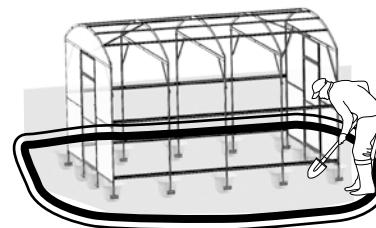


				
<b>№7*</b>				
1	<b>1</b>		0.33 m	x 10
2	<b>1-2</b>		0.26 m	x 4
3	<b>3</b>		0.2 m	x 14

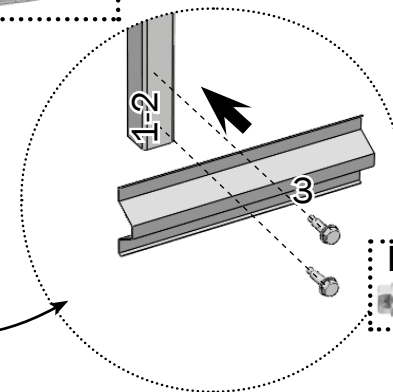
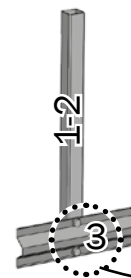
				
<b>№ 1 (2 m)</b>				
1	<b>2</b>		0.98 m	x 18
2	<b>14</b>		0.7 m	x 4
<b>№ 2 (2 m)</b>				
3	<b>4</b>		1.59 m	x 2
4	<b>4-1</b>		1.59 m	x 2
<b>№ 3 (2 m)</b>				
5	-		1.02 m	x 4
6	<b>10</b>		1.89 m	x 4
7	<b>5</b>		1.54 m	x 2
8	<b>5-1</b>		1.54 m	x 2
<b>№ 4 (2 m)</b>				
9	-			x 18
10	-			x 18
11	-			x 8
12	-			x 1
13	M4x12			x 52
14	4x35			x 16
15	M5x30			x 28

16	M5x45		x 8
17	5x60		x 4
18	4.8x19		x 58
19	M4		x 68
20	M5		x 40
21	32x4		x 32
22	32x5		x 4

 				
<b>№5 (2 m)*</b>				
1	<b>1</b>		0.33 m	x 4
2	<b>3</b>		0.2 m	x 4



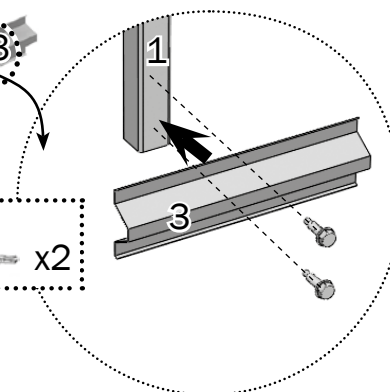
**\*.1** №7\*  
1-2 x1    №7\*  
3 x1



№6  
x2

x4

**\*.2** №7\*  
1 x1    №7\*  
3 x1

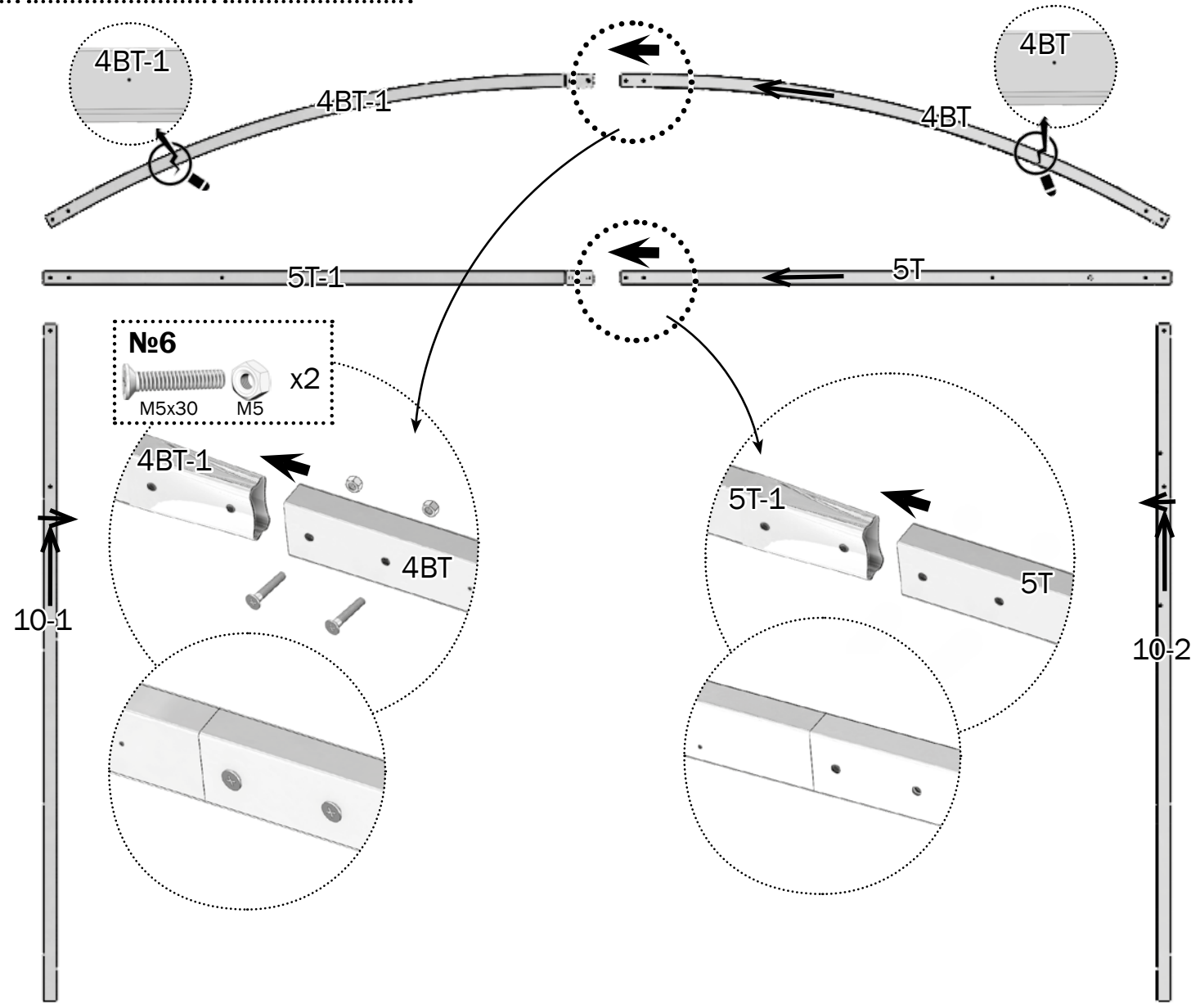


№6  
x2

x10

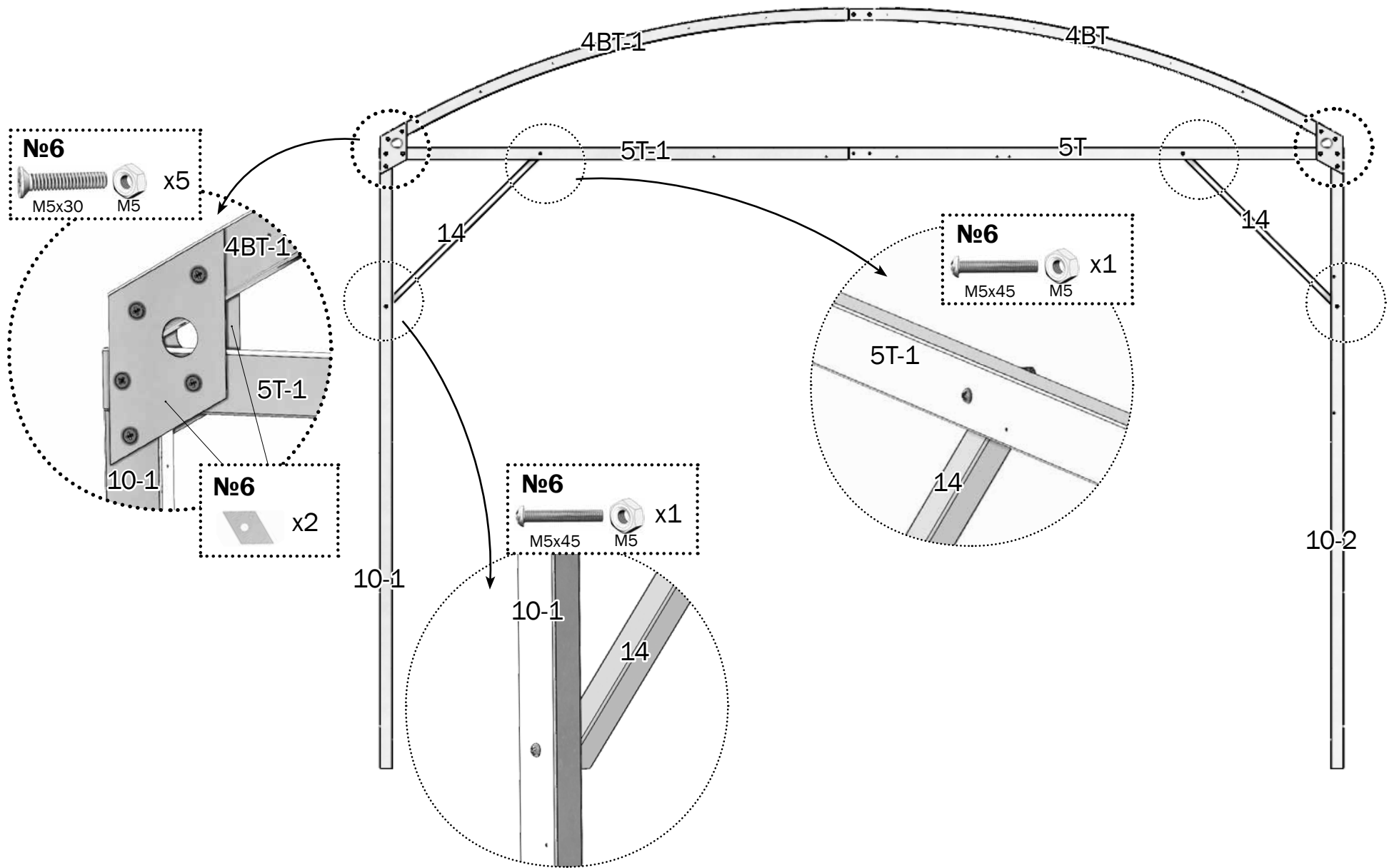
1.1

<b>№4</b> 10-1 x1	<b>№4</b> 5T-1 x1	<b>№3</b> 4BT-1 x1
<b>№3</b> 4BT x1	<b>№4</b> 5T x1	<b>№4</b> 10-2 x1



1.2

№2  
14 x2



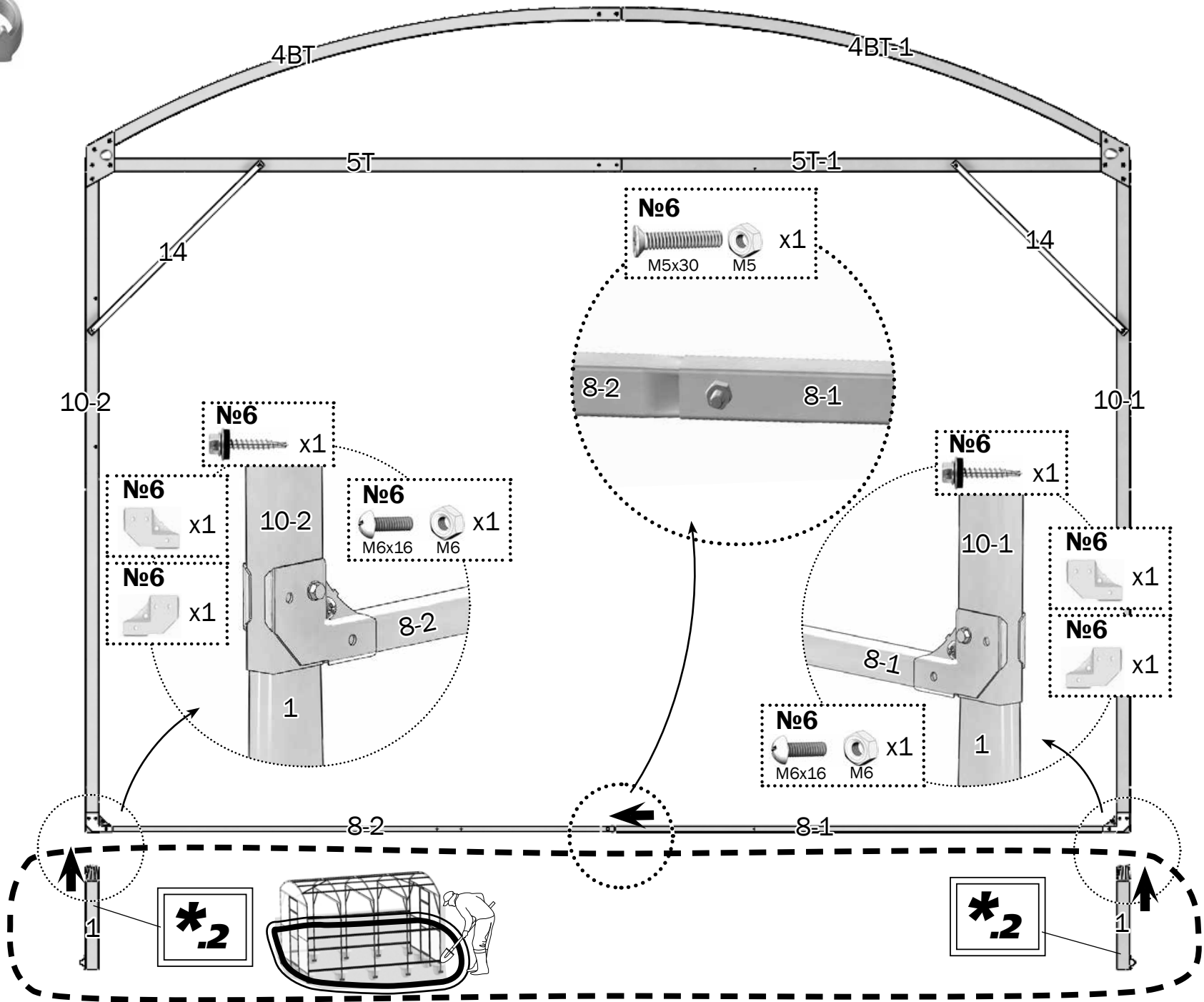
x2



# 1.3



- №2 8-2 x1
- №2 8-1 x1



x2

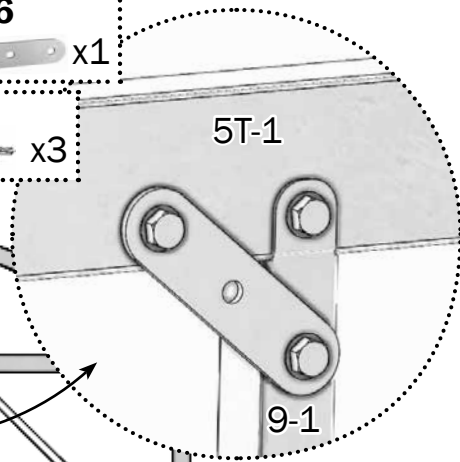
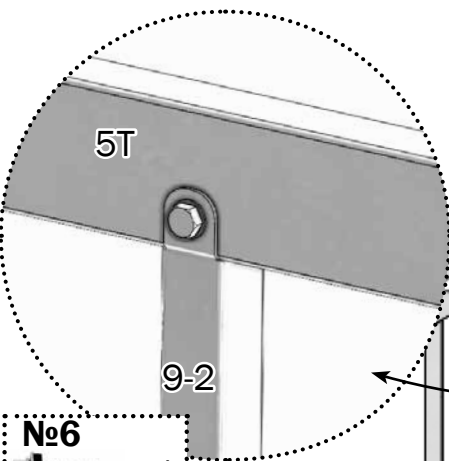
# 1.4

**№2**  
9-2 x1

**№2**  
9-1 x1

**№6**  
x1

**№6**  
x3



**№6**  
x1

**№6**  
x4

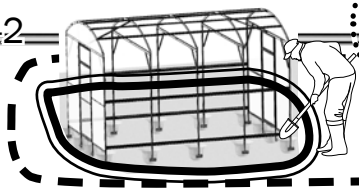
**№6**  
x4

**№6**  
x1

**№6**  
x4

**№6**  
M6x16 x2  
M6

**№6**  
M6x16 x2  
M6



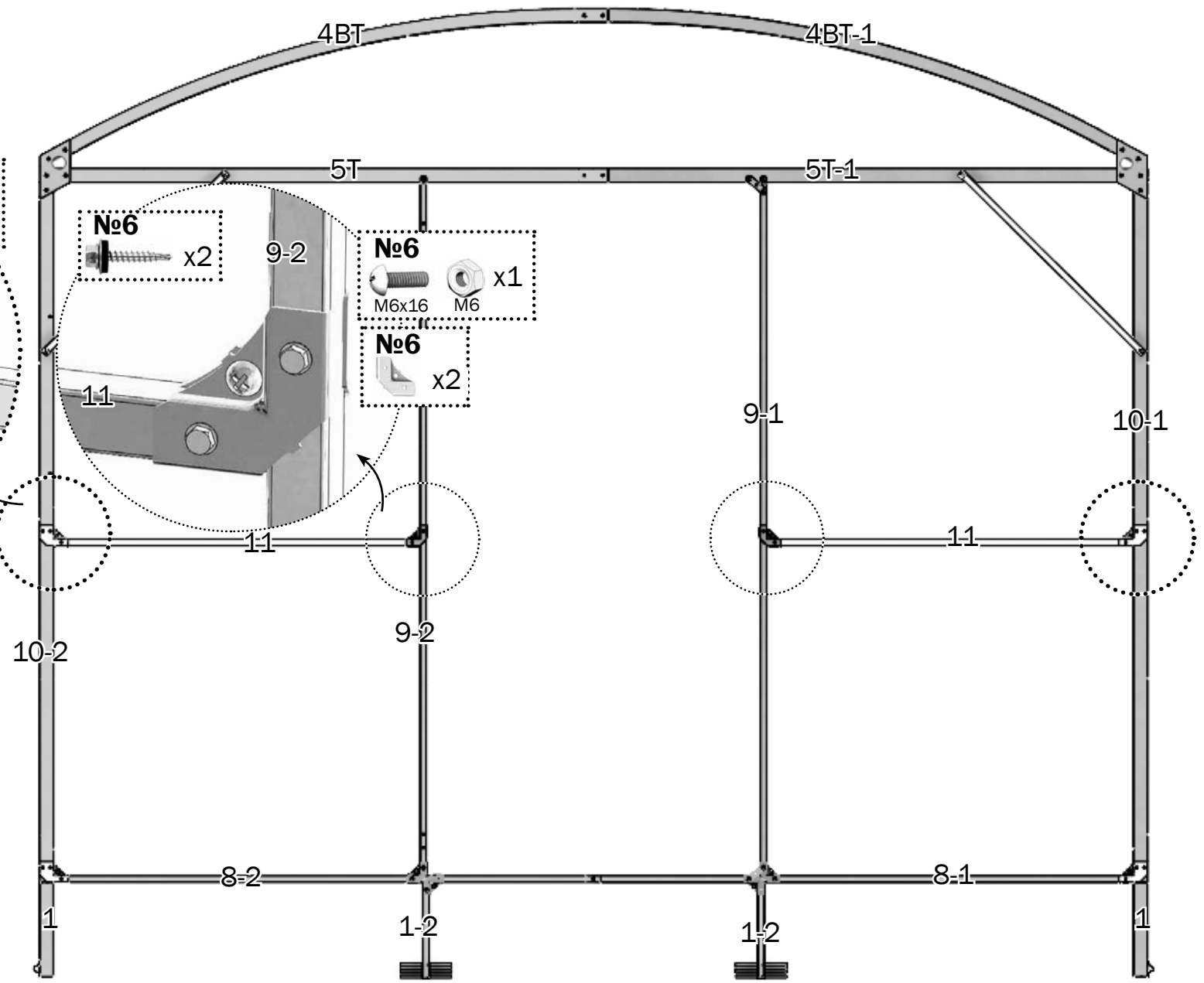
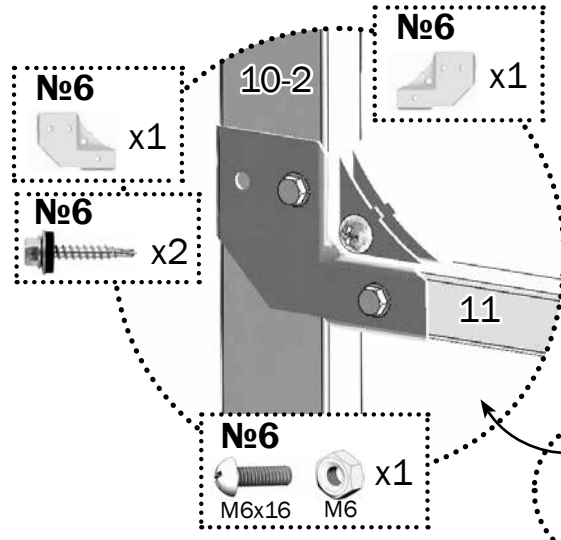
**\*.1**

x2

1.5

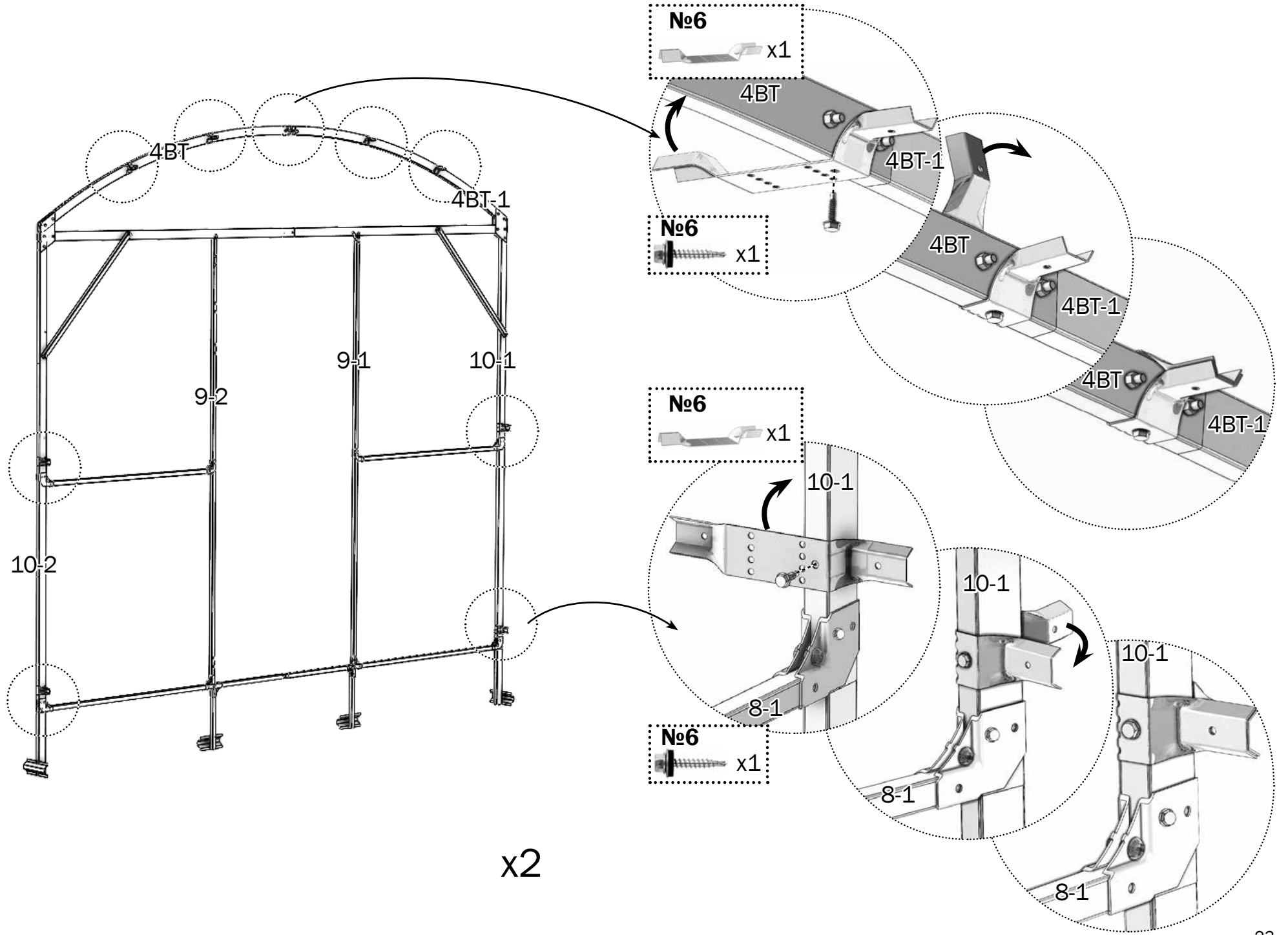
№2

11 x2



x2

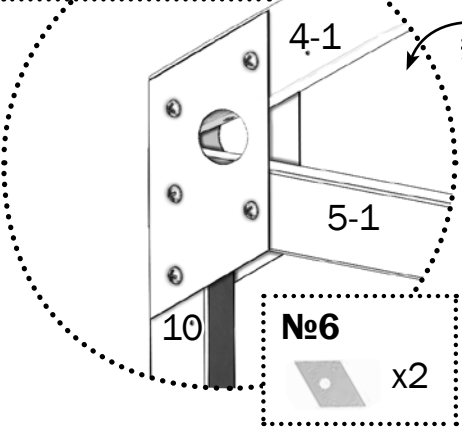
# 1.6



# 2.1

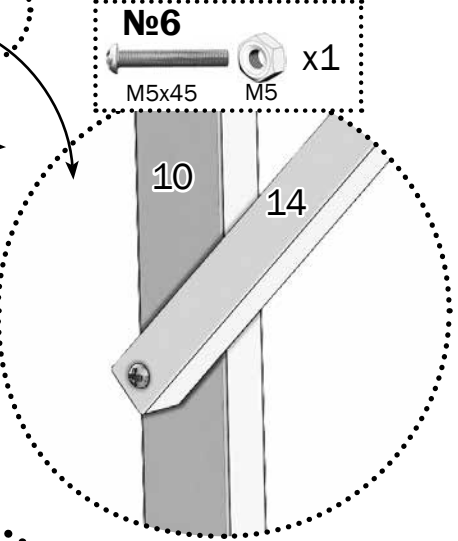
- No4 10 x2
- No4 5-1 x1
- No3 4-1 x1
- No3 4 x1
- No4 5 x1
- No2 14 x2

- No6 M5x45 x5
- M5

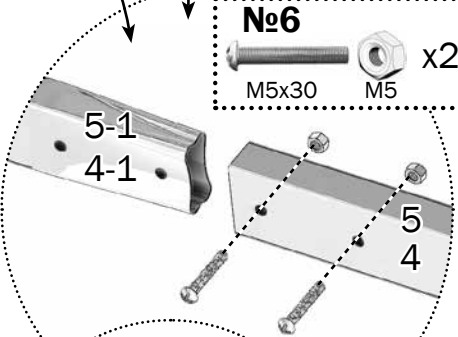


- No6 x2

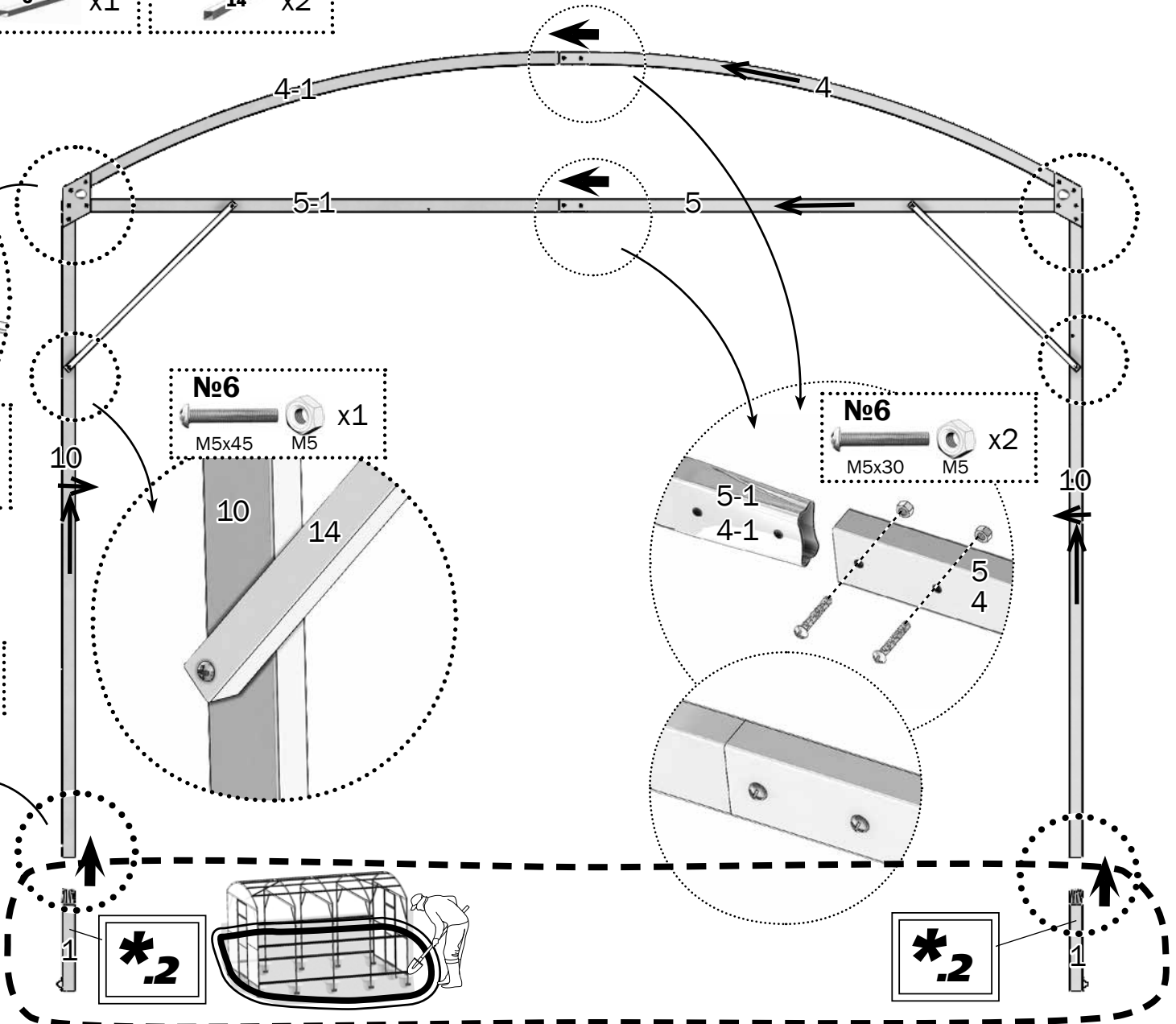
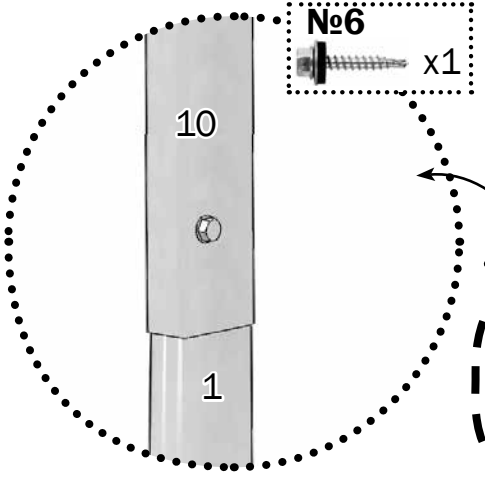
- No6 M5x45 x1
- M5



- No6 M5x30 x2
- M5



- No6 x1

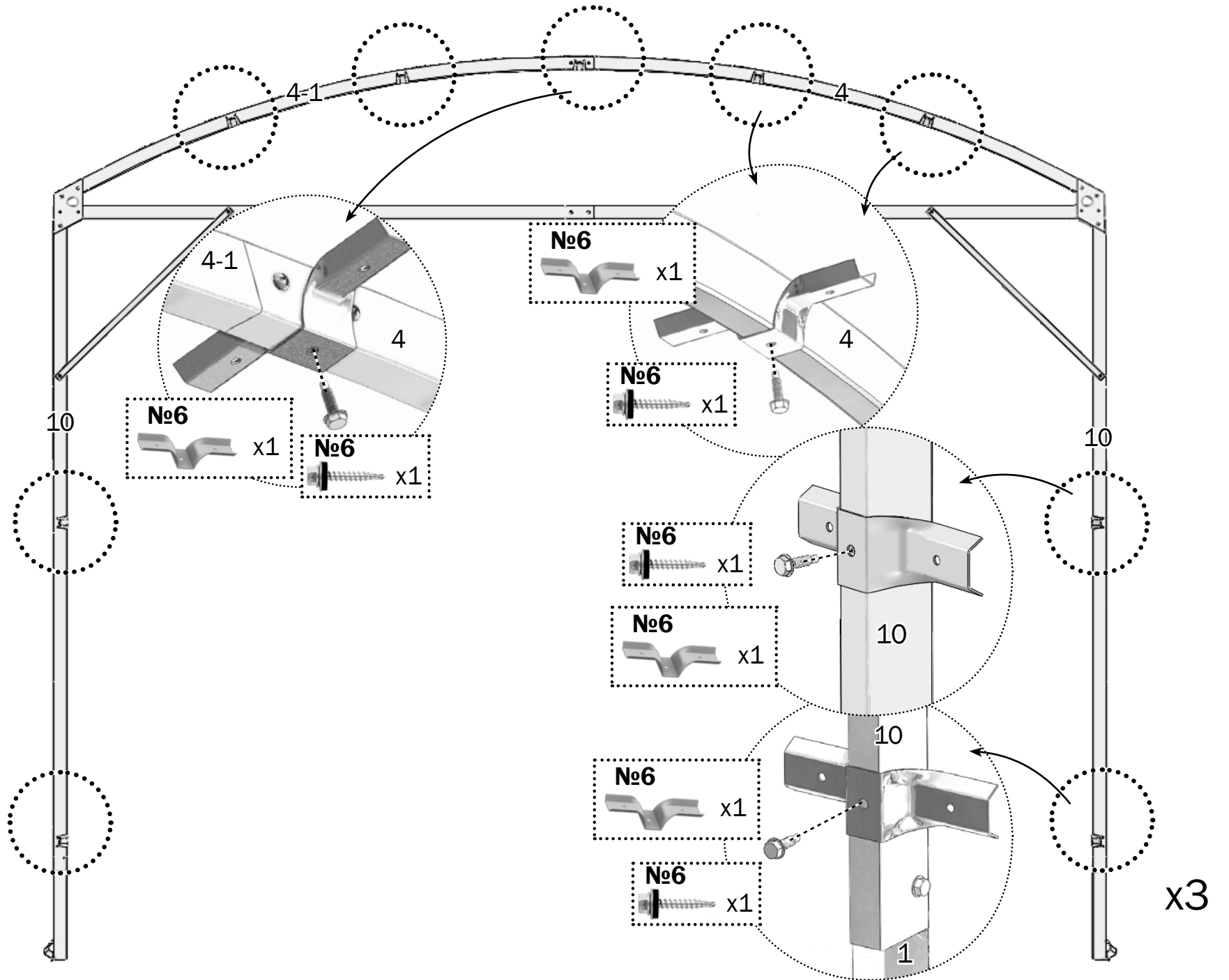


\*.2

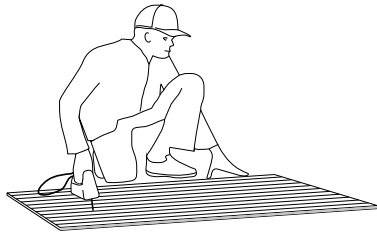


\*.2

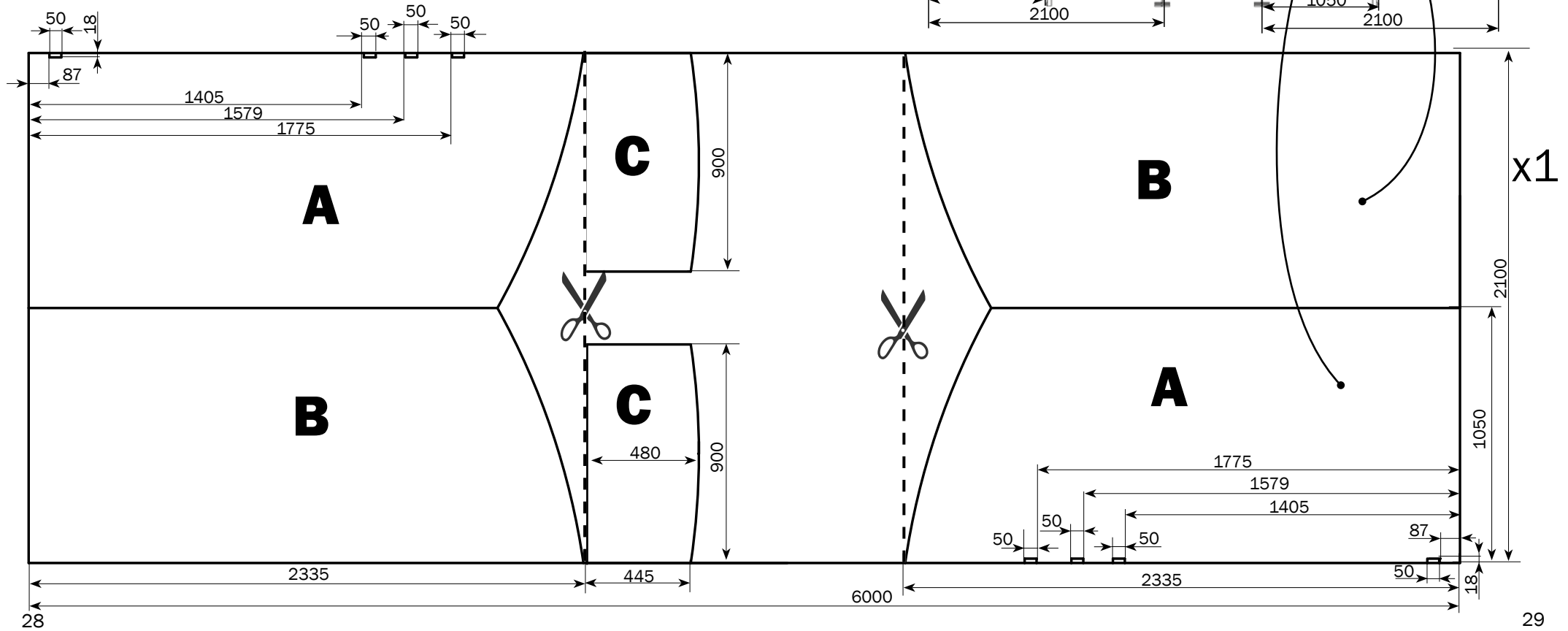
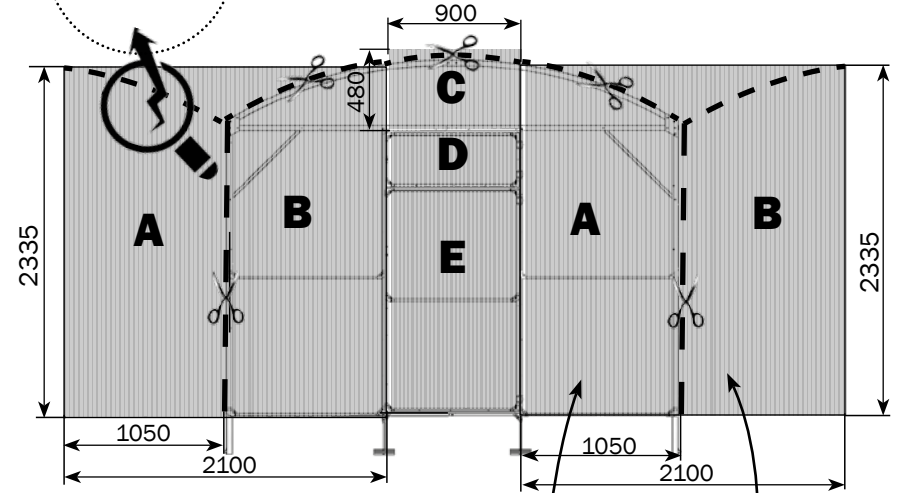
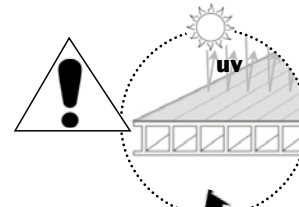
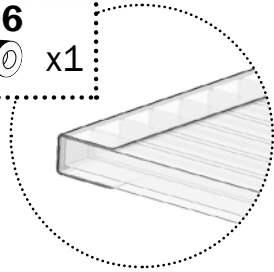
x3

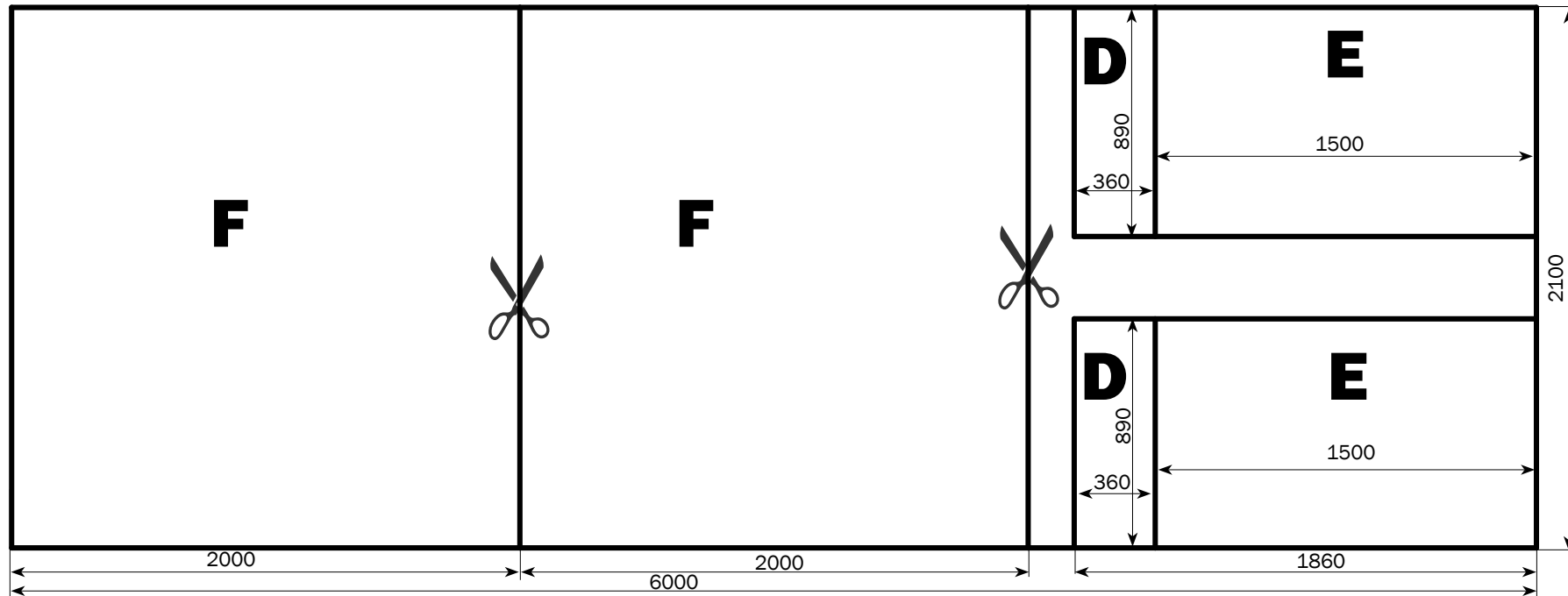


3

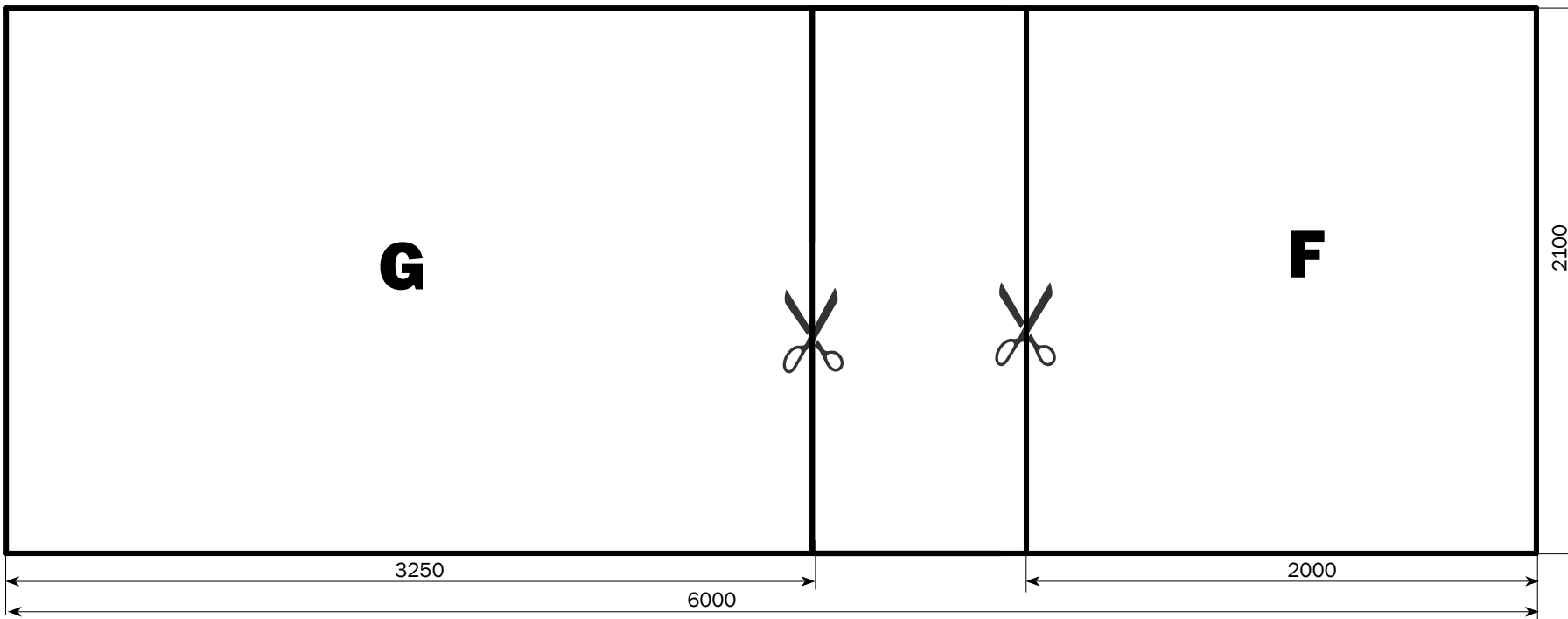


№6  
x1





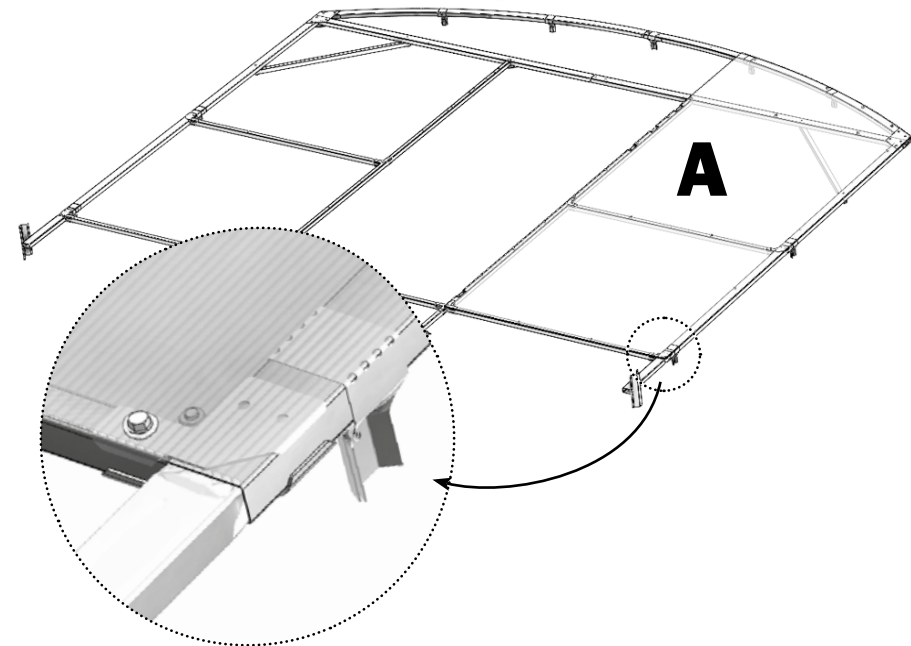
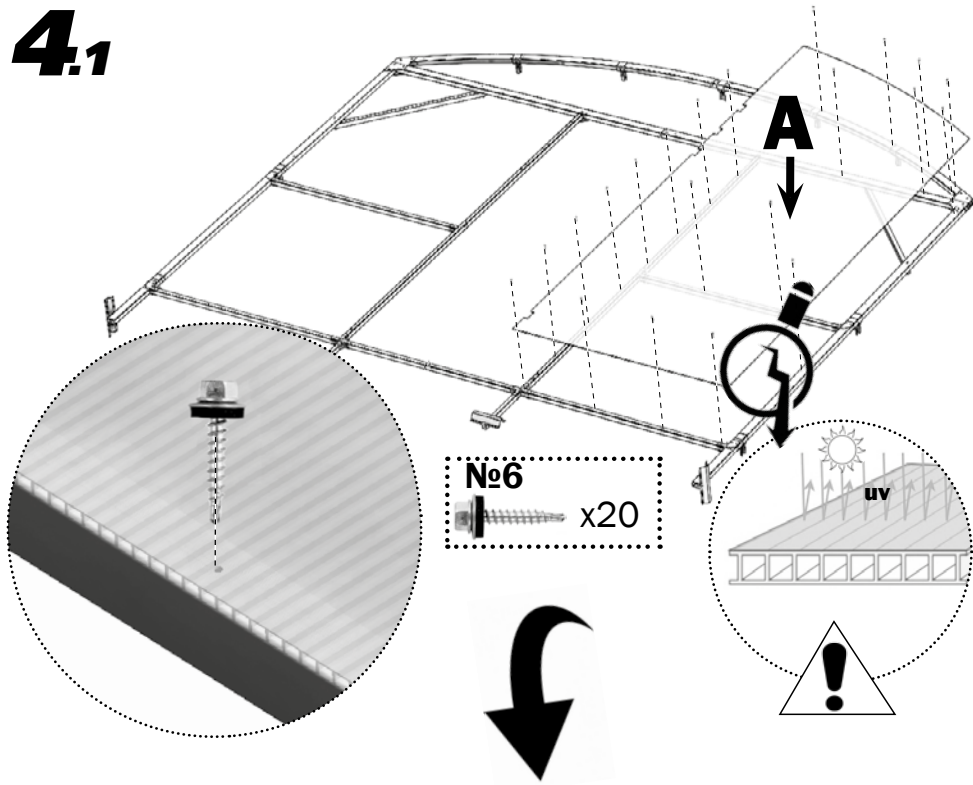
x1



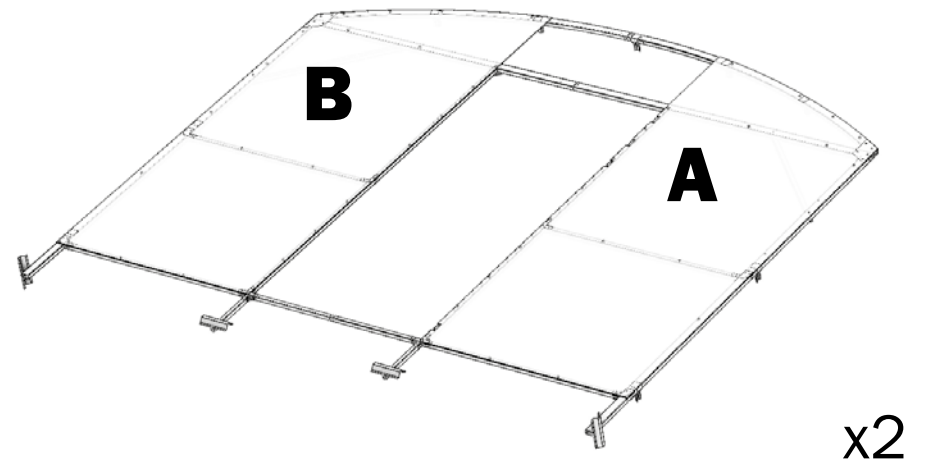
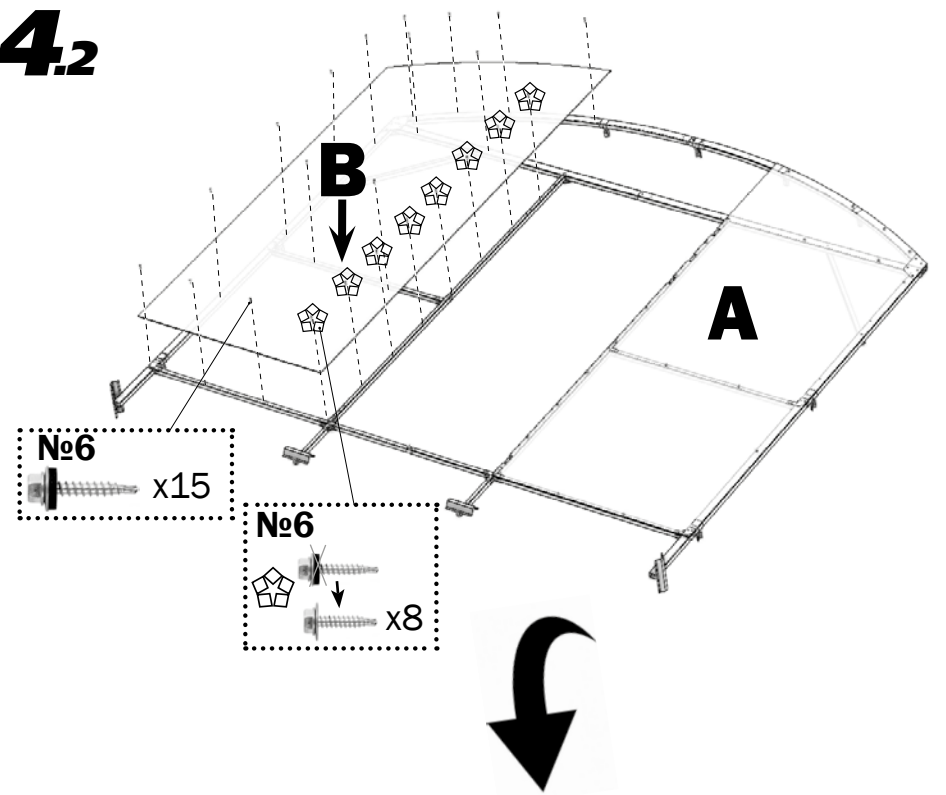
x2



4.1

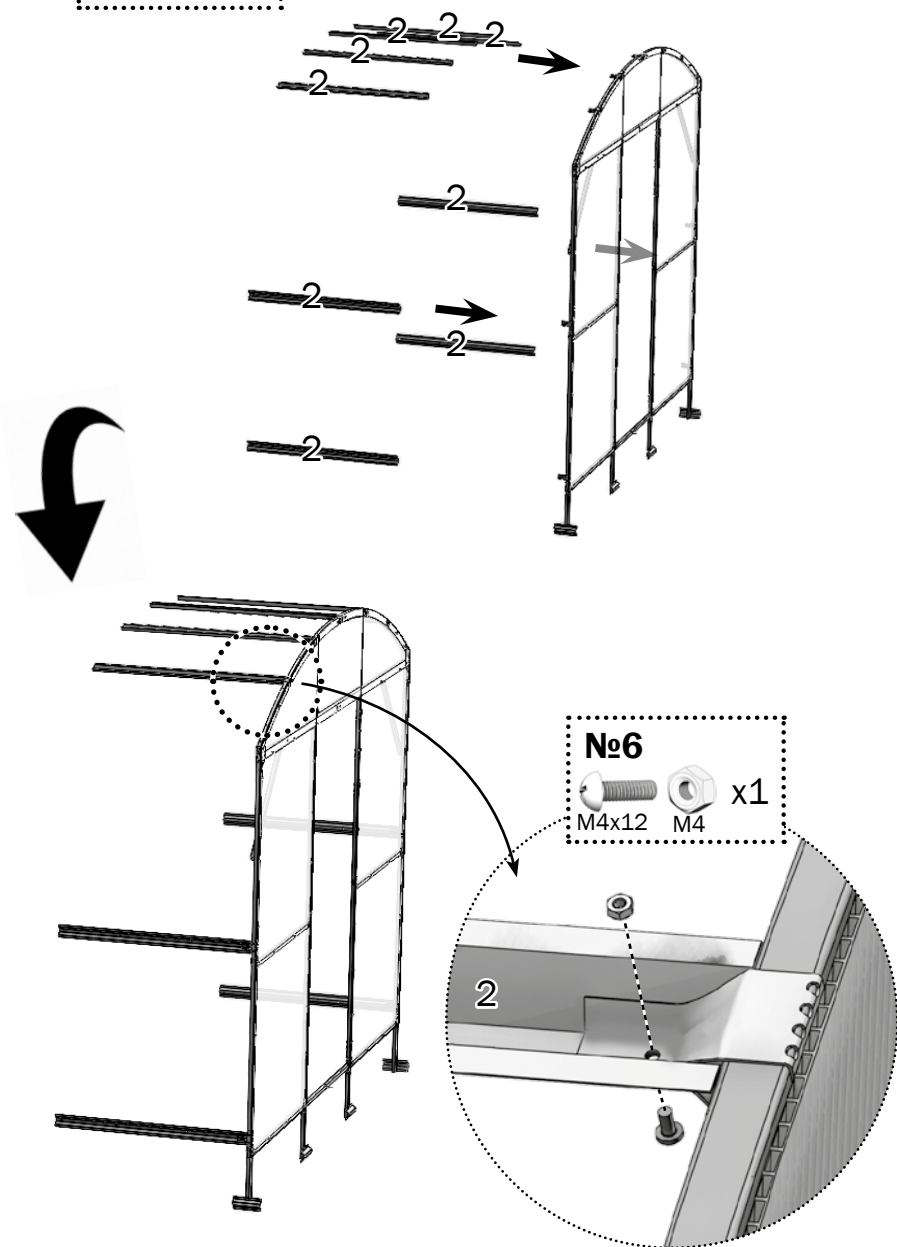


4.2



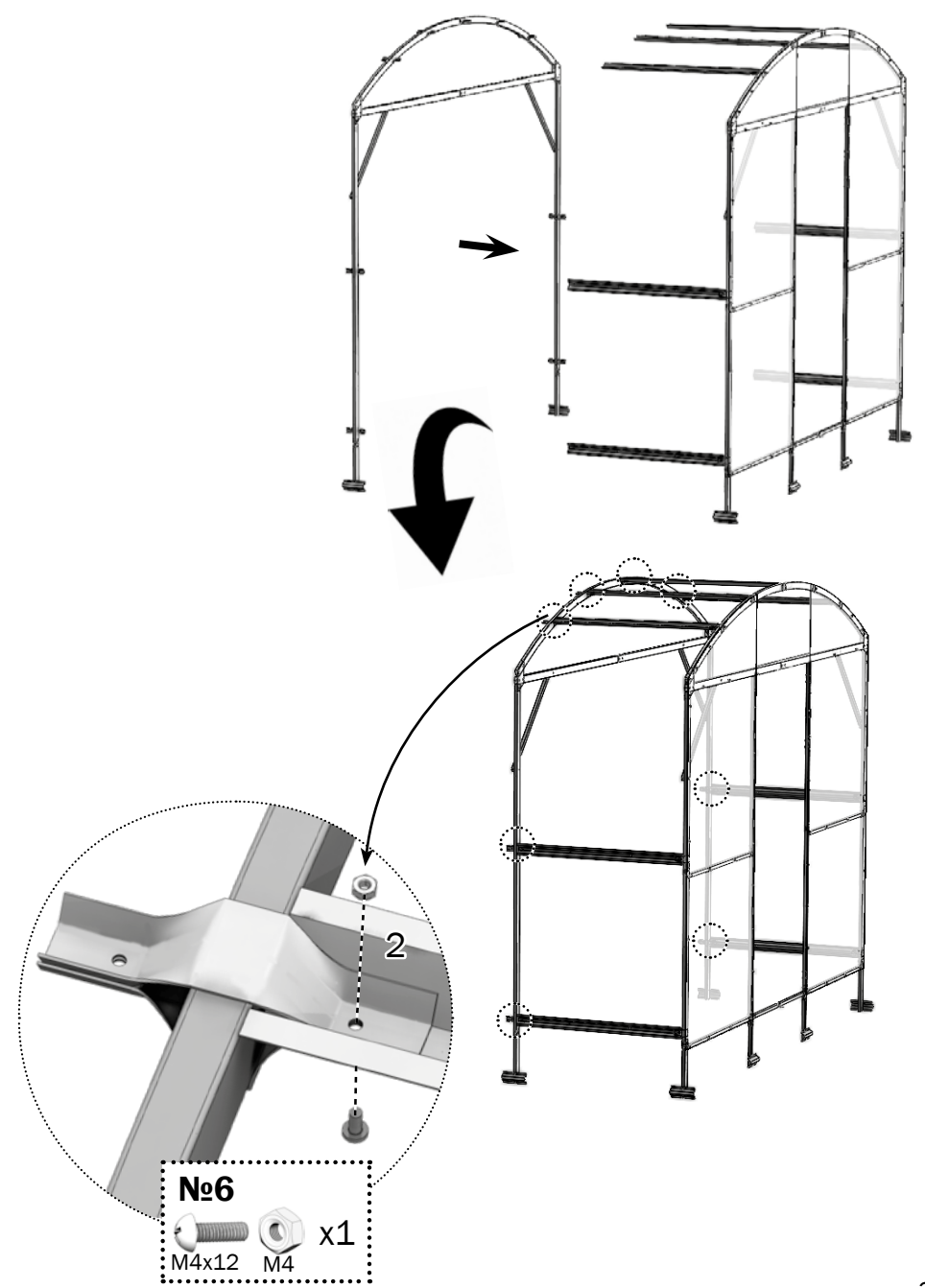
**5.1**

**№1**  
2 x9



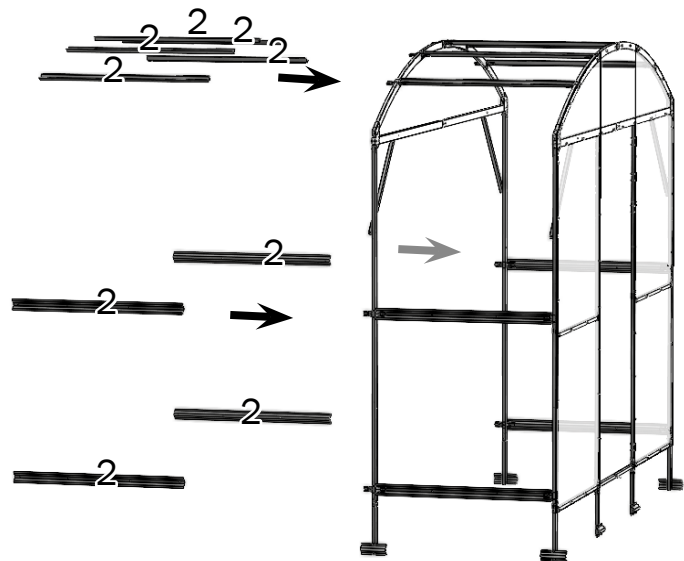
**5.2**

**№6**  
x9

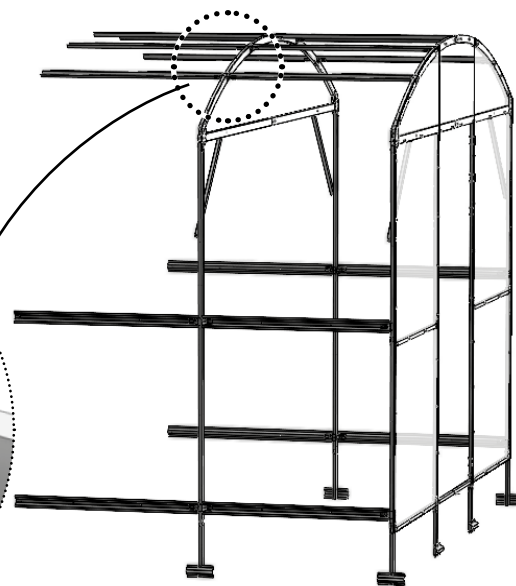
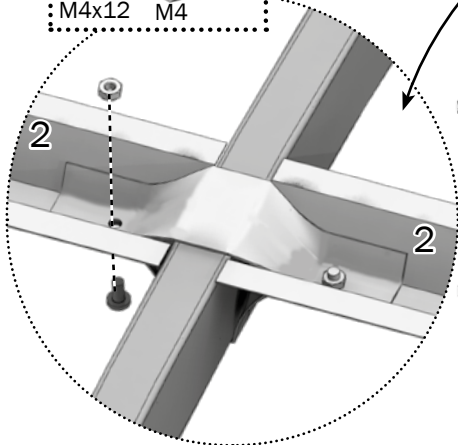


# 5.3

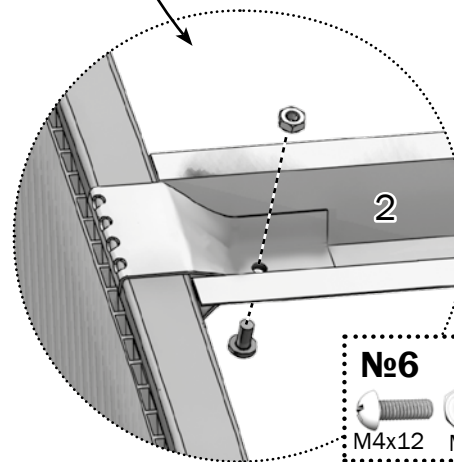
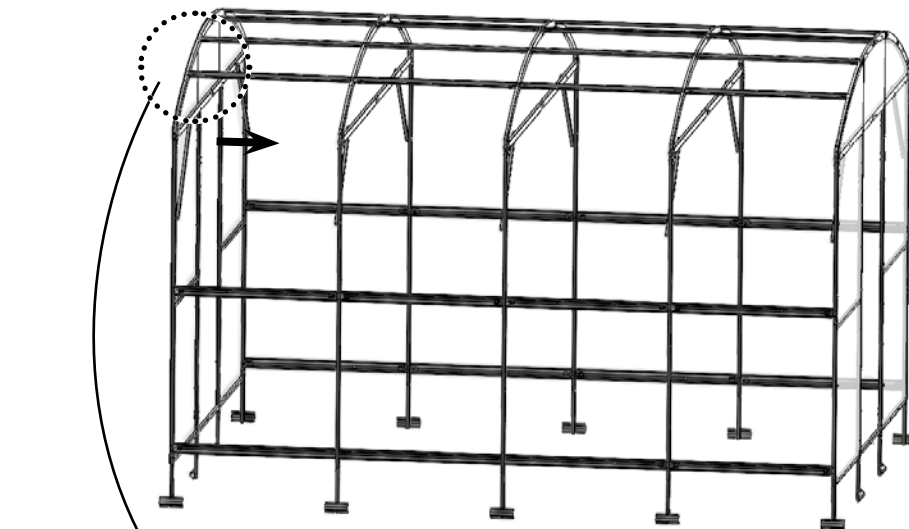
**№1**  
2 x9



**№6**  
M4x12 M4 x1

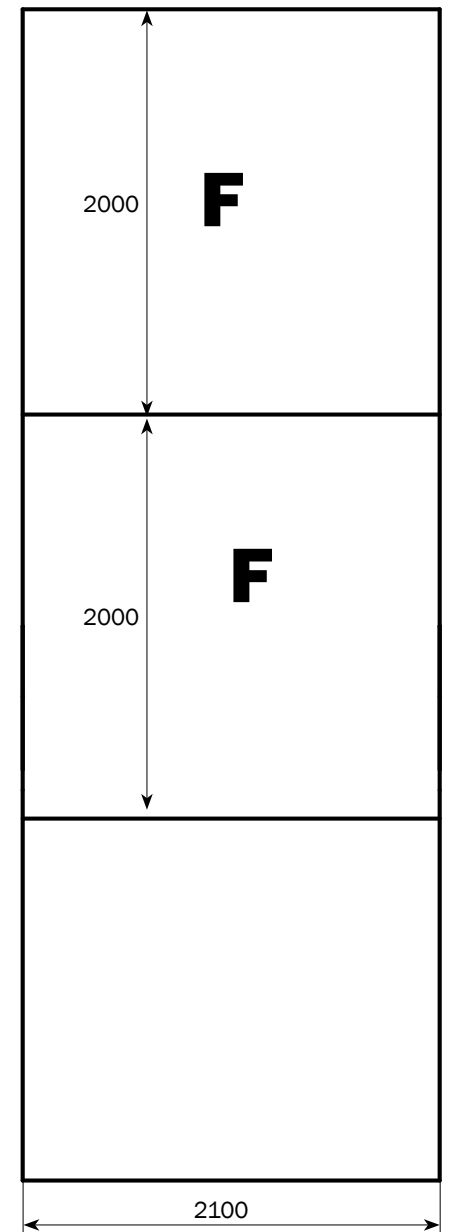
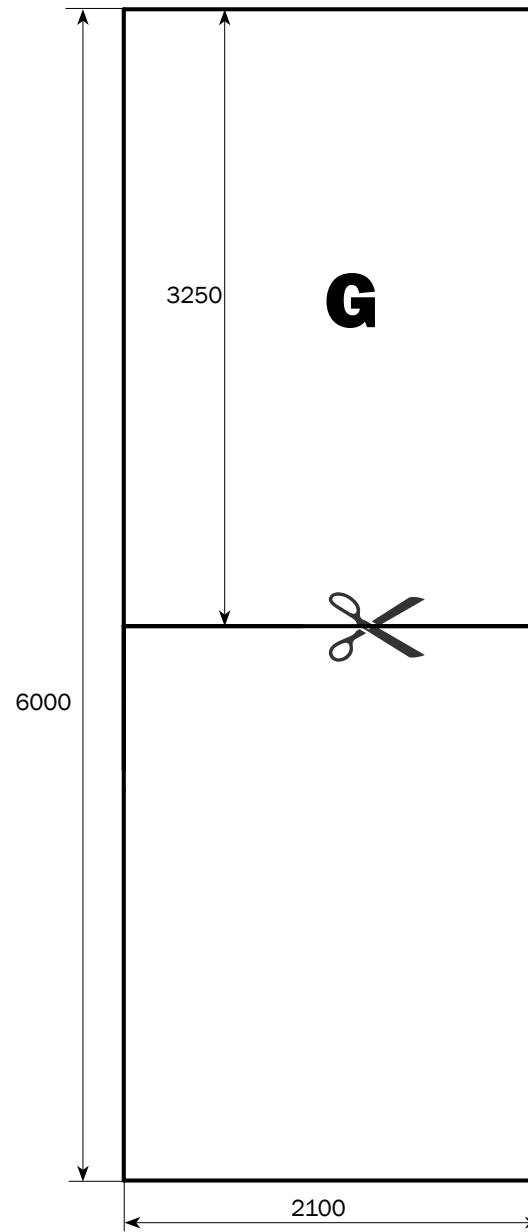
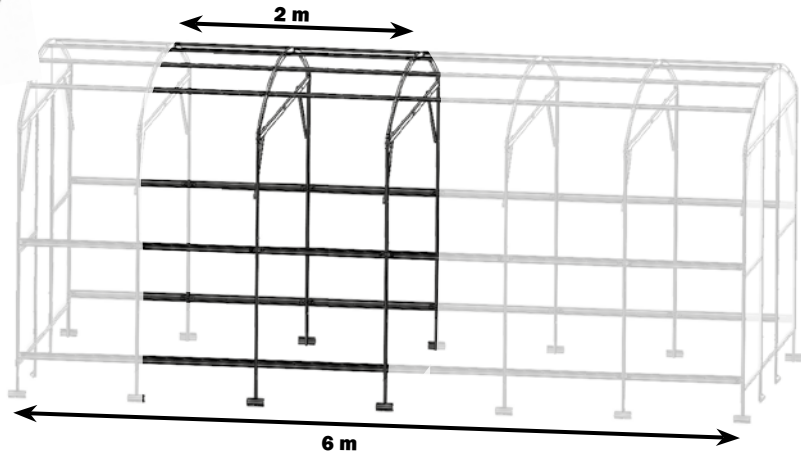
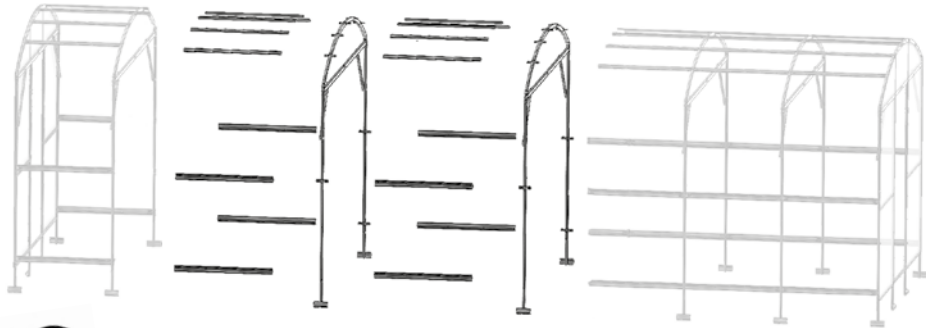
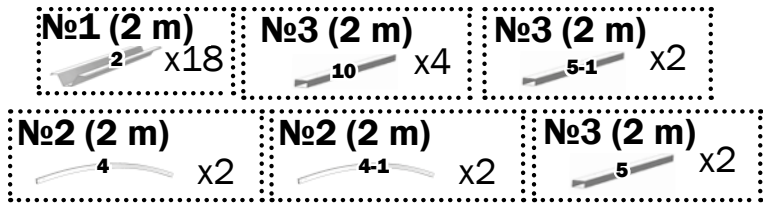


# 5.4

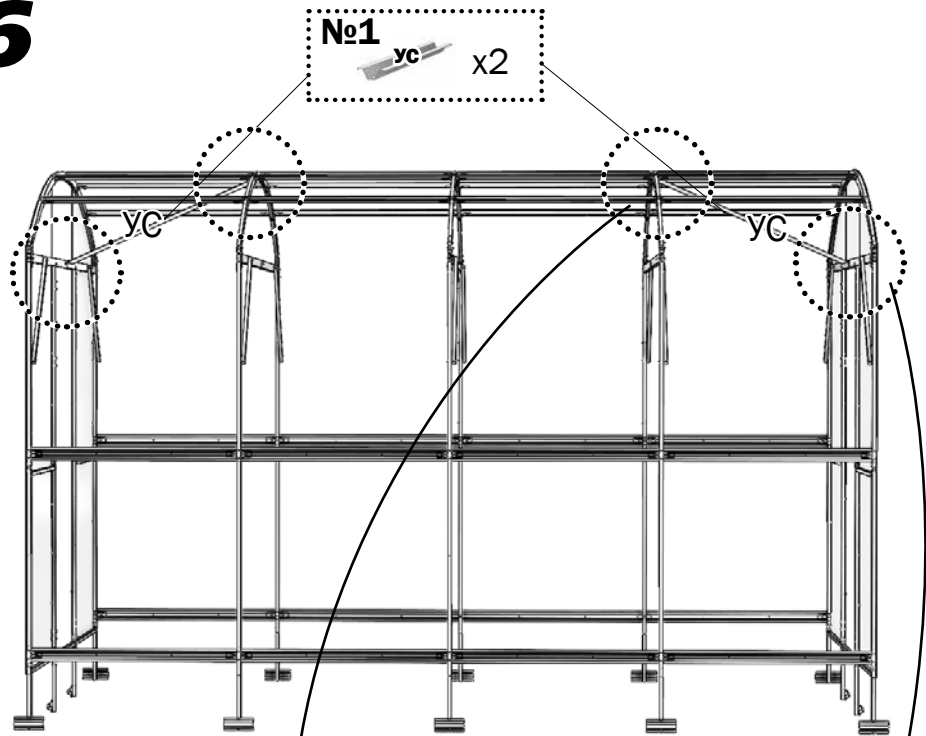


**№6**  
M4x12 M4 x1

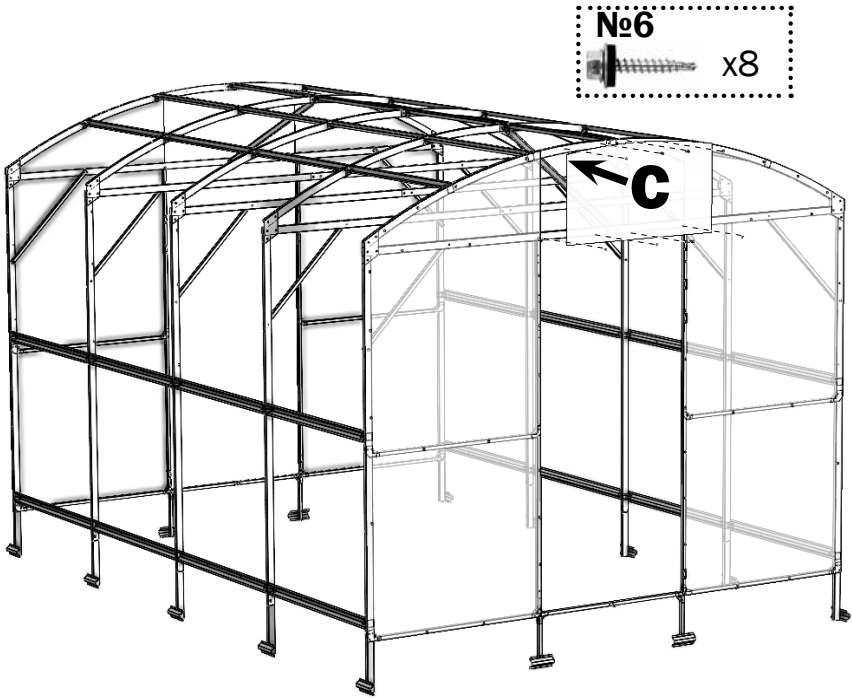
**5.5**



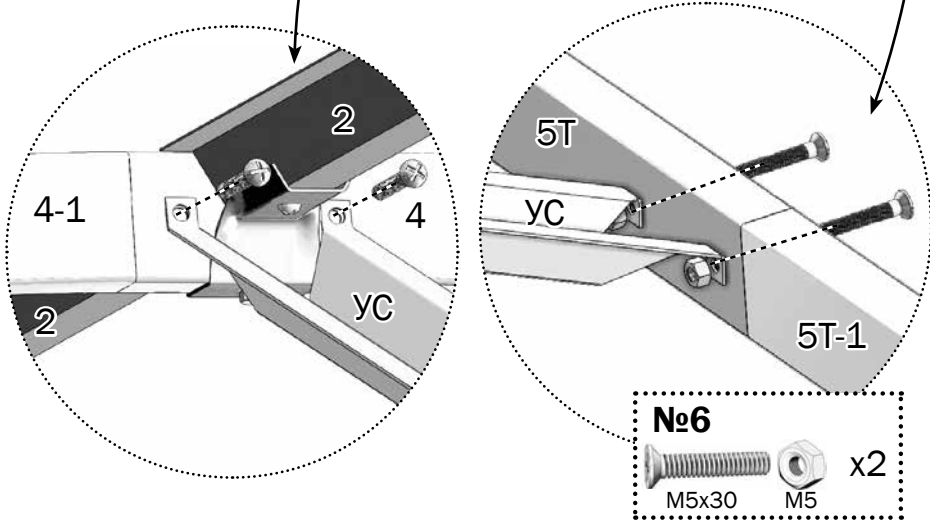
6



7

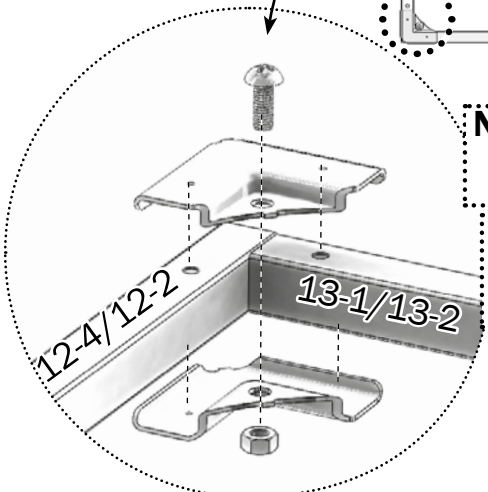
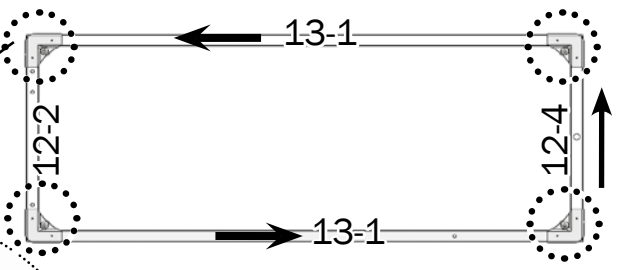


x2

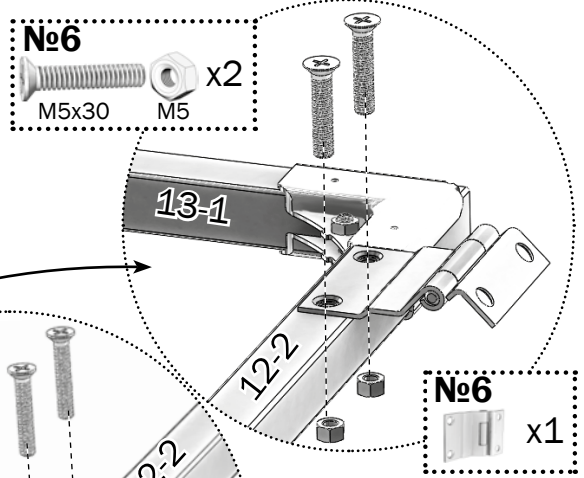


# 8.1

- No2 12-2 x1
- No2 13-1 x2
- No2 12-4 x1

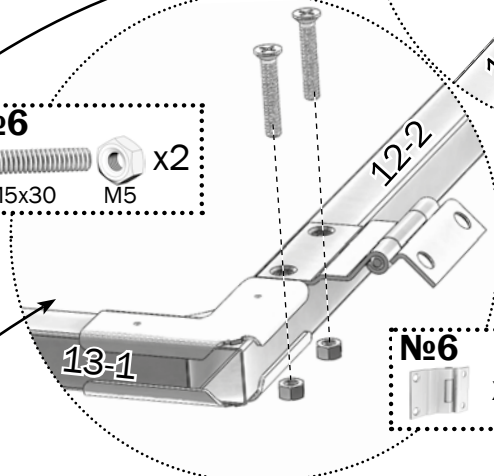


- No6 x2
- No6 M6x16 M6 x1



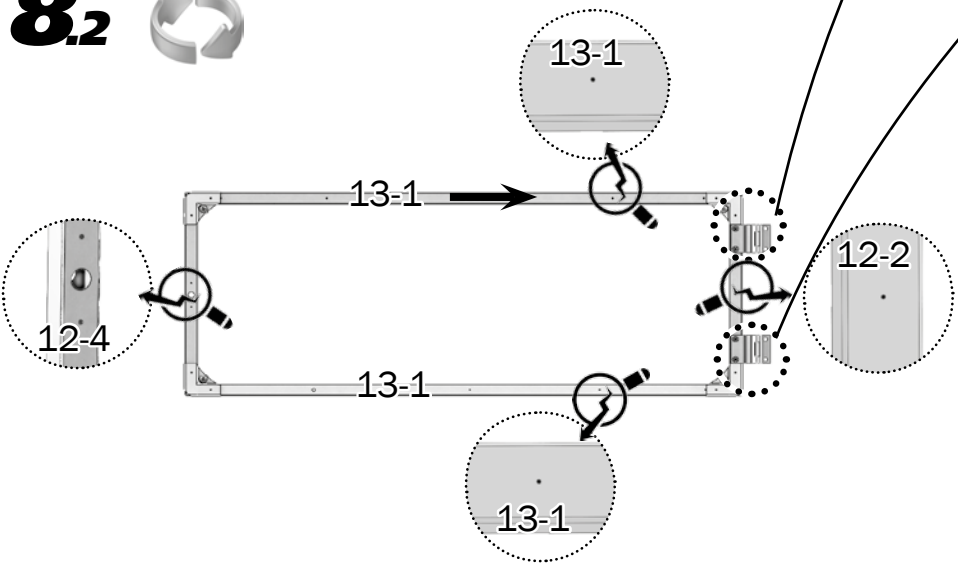
- No6 M5x30 M5 x2

- No6 x1



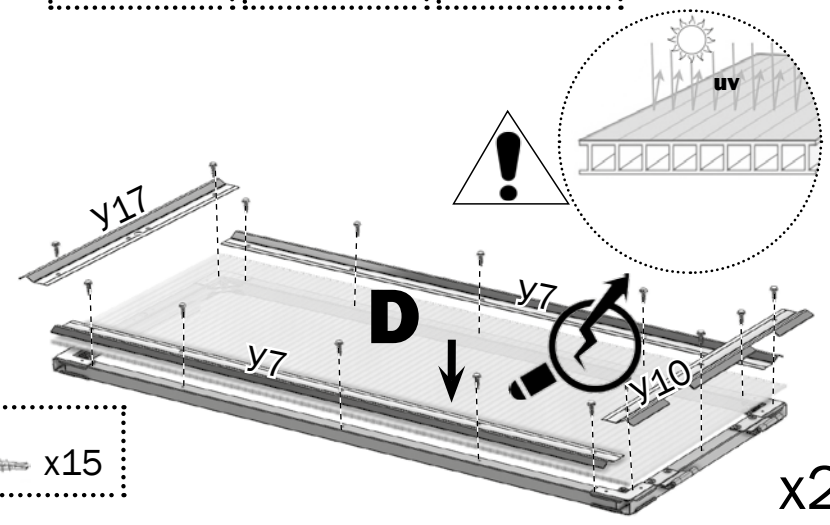
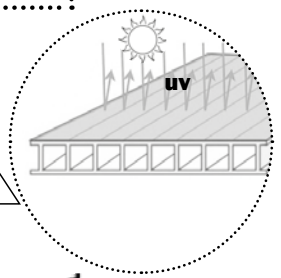
- No6 x1

# 8.2



# 8.3

- No5 y7 x2
- No5 y10 x1
- No5 y17 x1



- No6 x15

x2

# 9.1

№2 12-1 x1

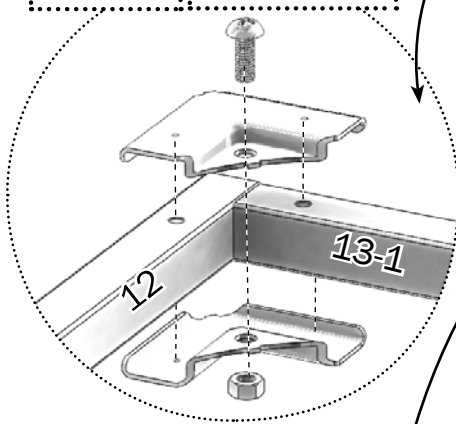
№2 13 x1

№2 12 x1

№2 13-1 x2

№6 x2  
M6x16 M6

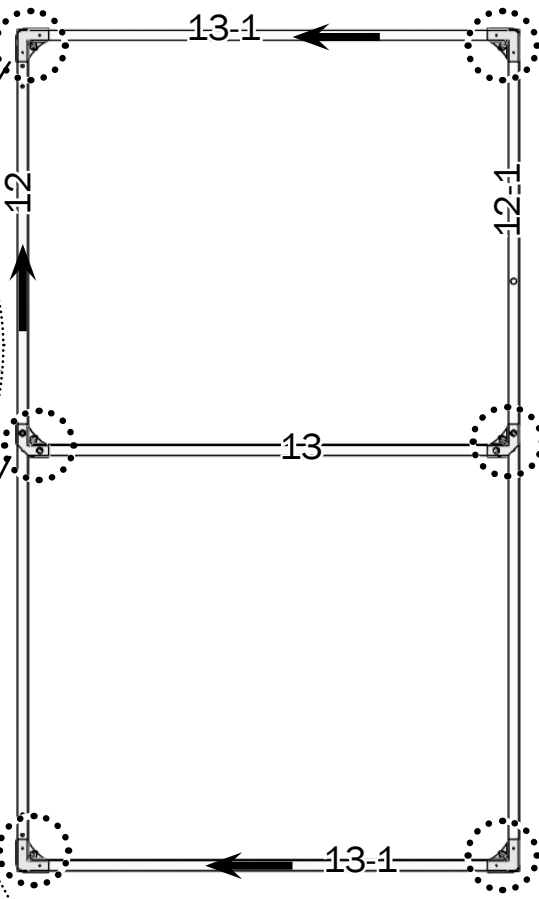
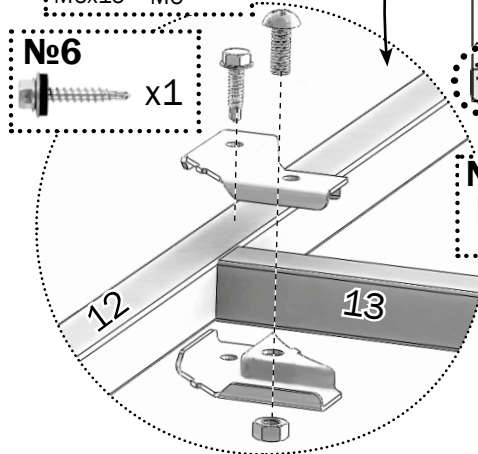
№6 x1  
M6



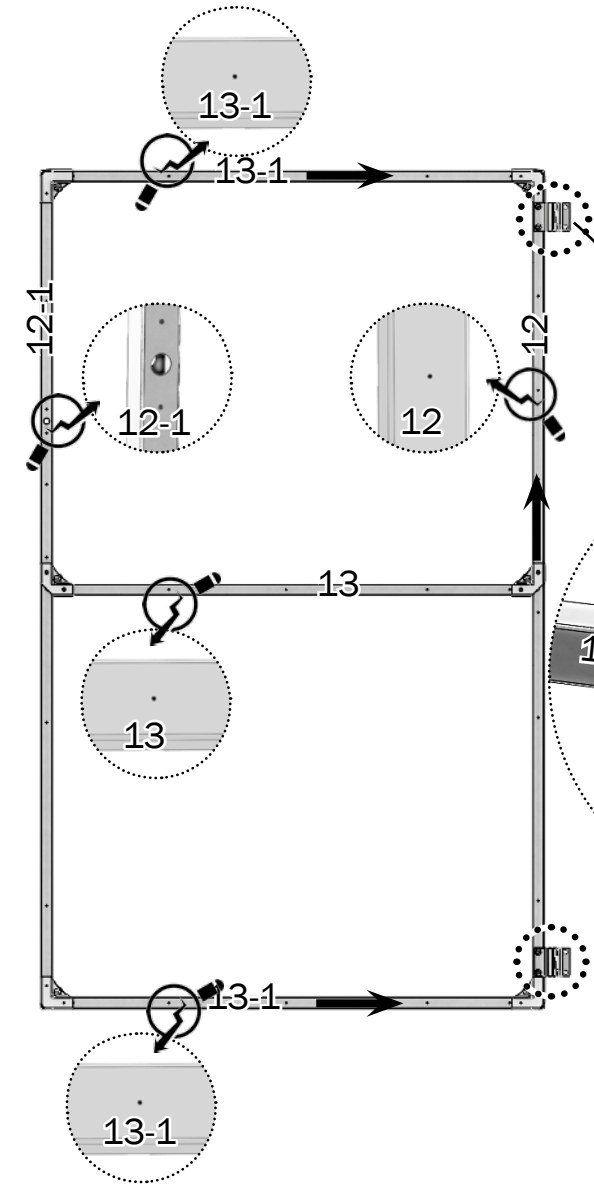
№6 x1  
M6x16 M6

№6 x1

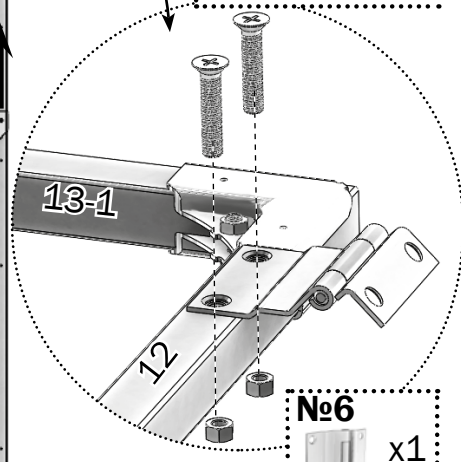
№6 x2



# 9.2



№6 x2  
M5x30 M5

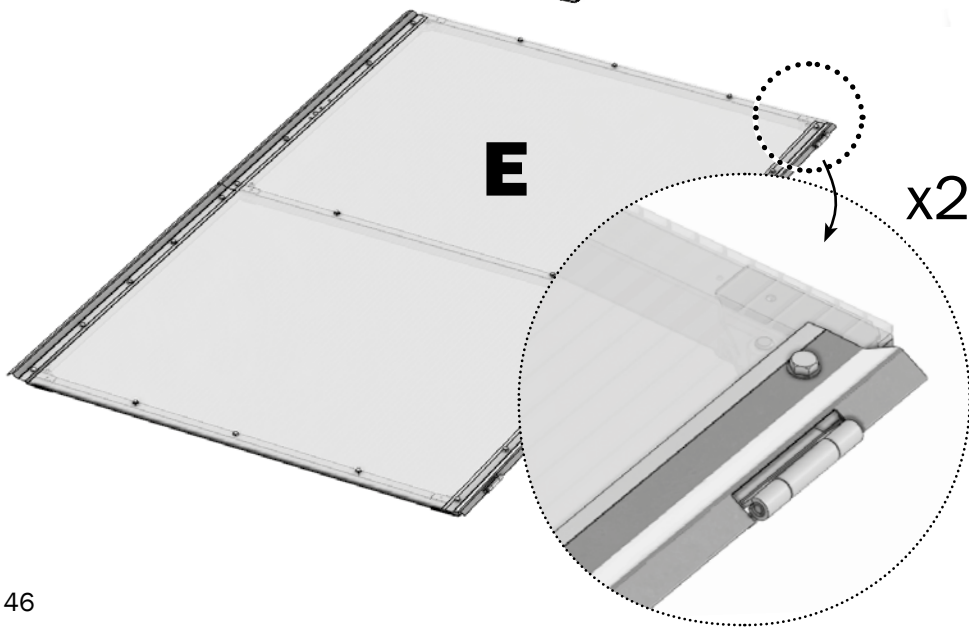
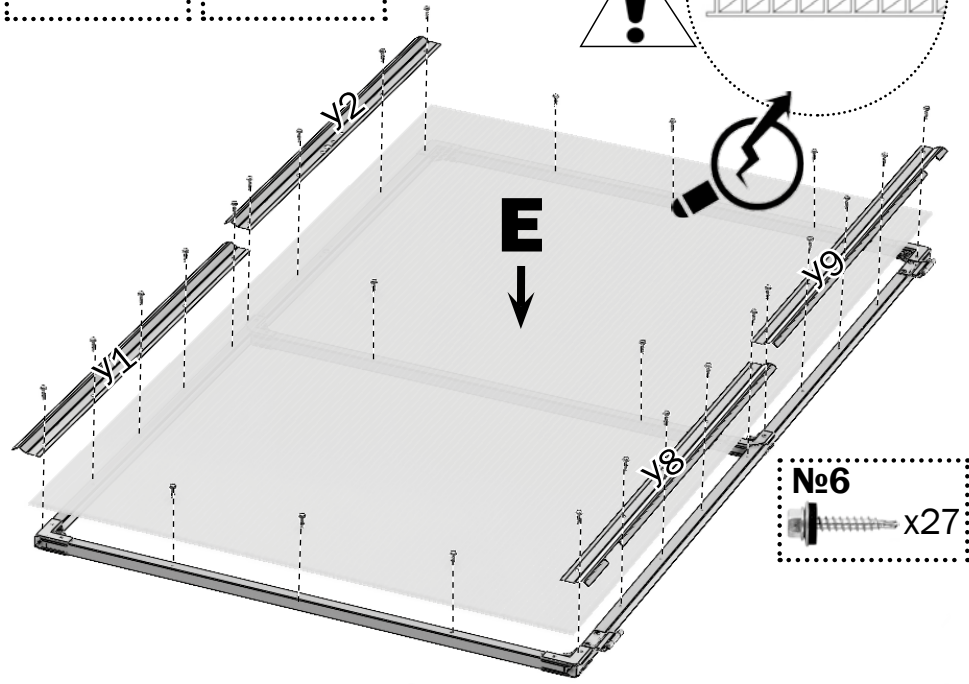


№6 x1

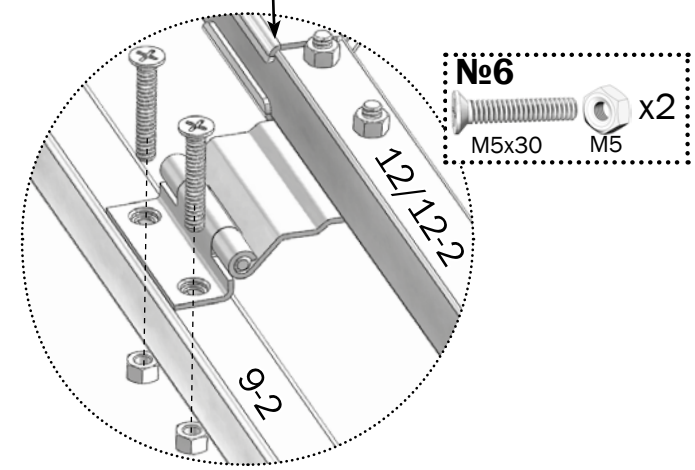
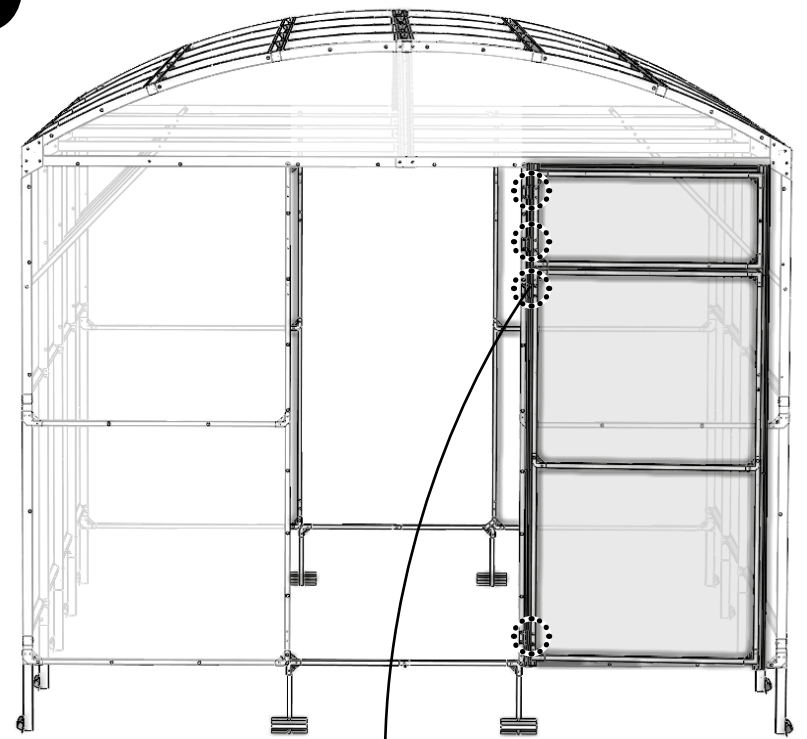
# 9.3

№5 y1 x1    №5 y2 x1

№5 y8 x1    №5 y9 x1



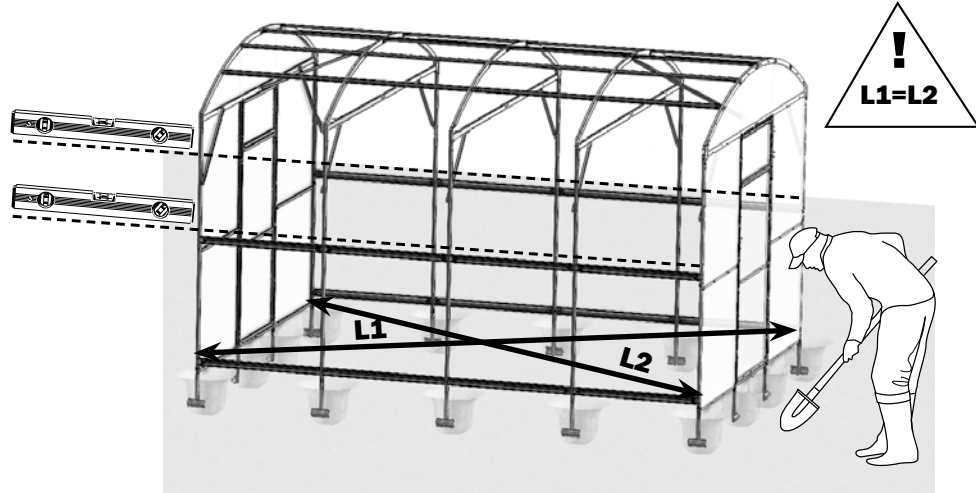
# 10



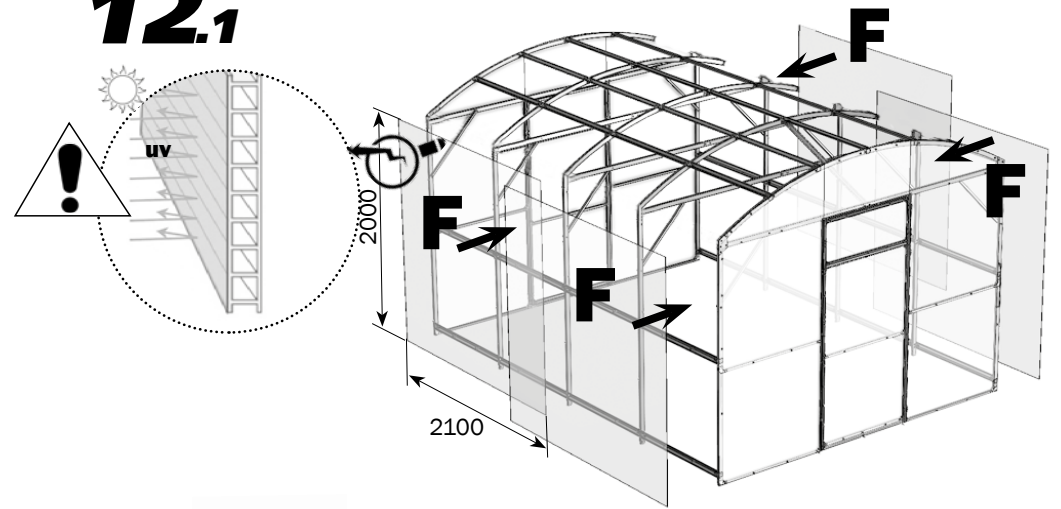
x2



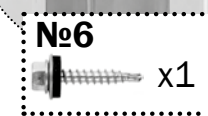
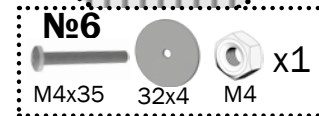
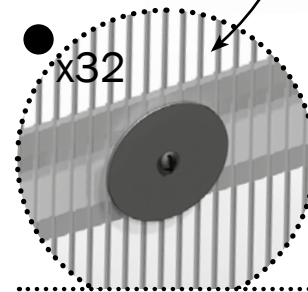
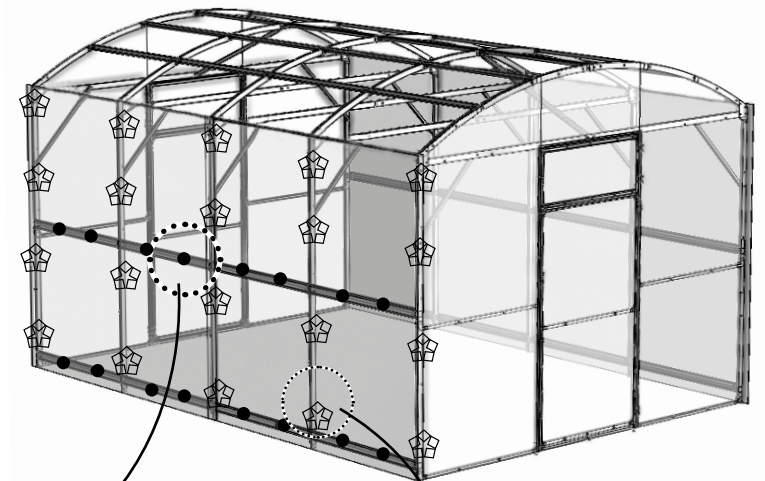
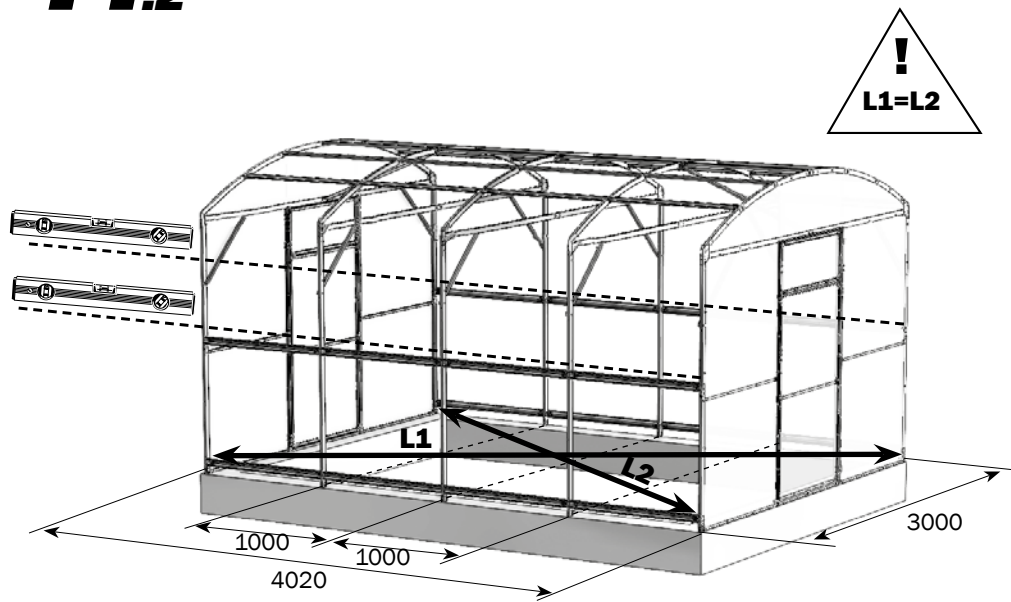
# 11.1



# 12.1

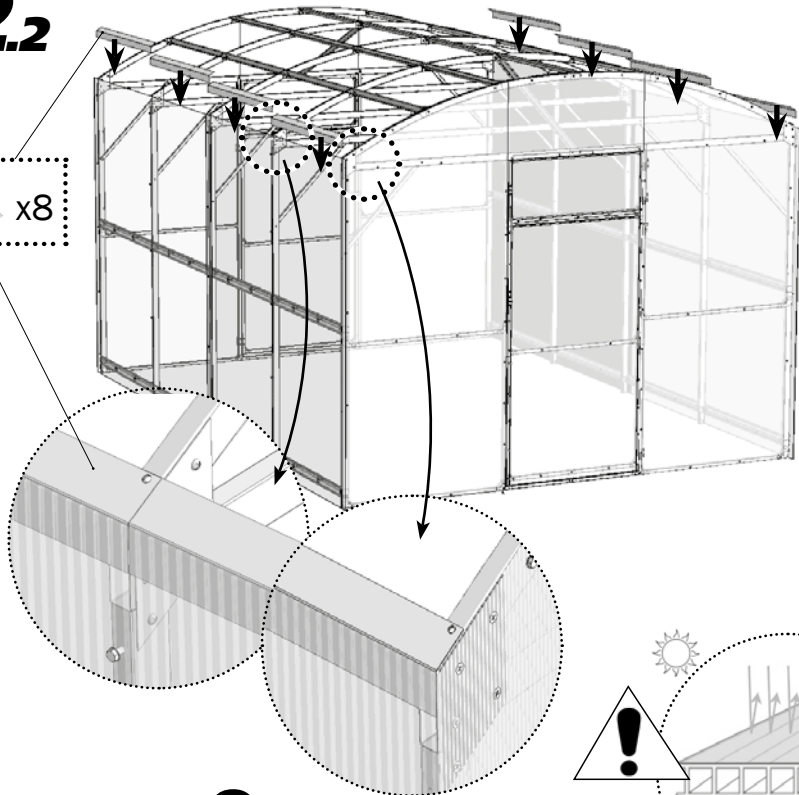


# 11.2

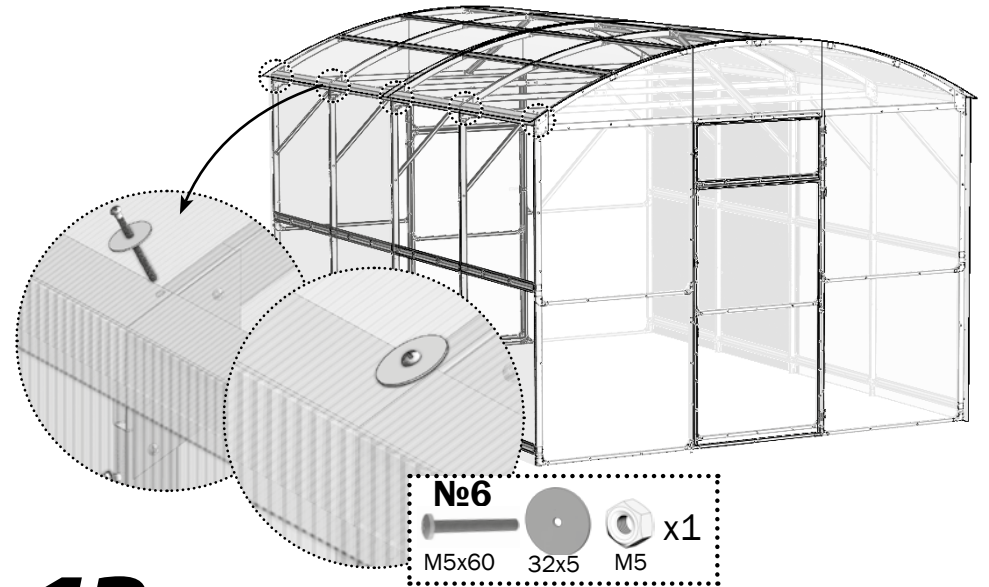
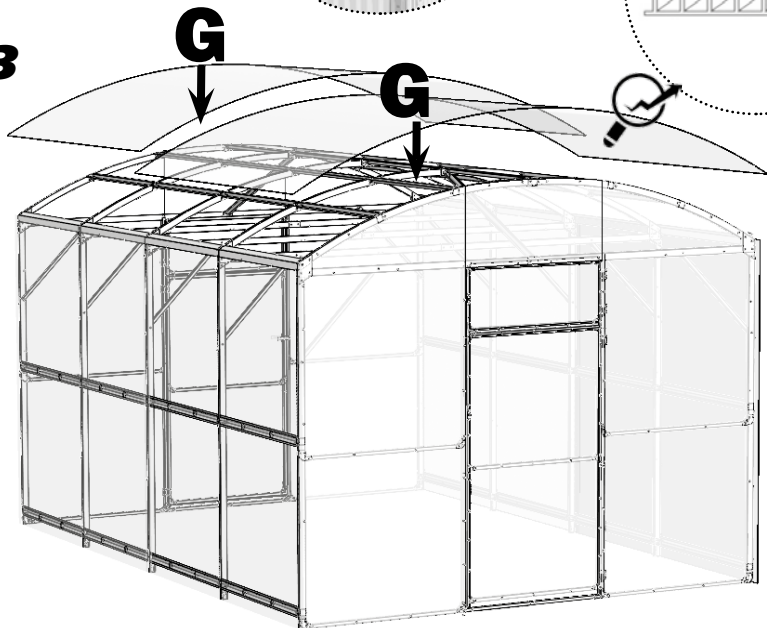


# 12.2

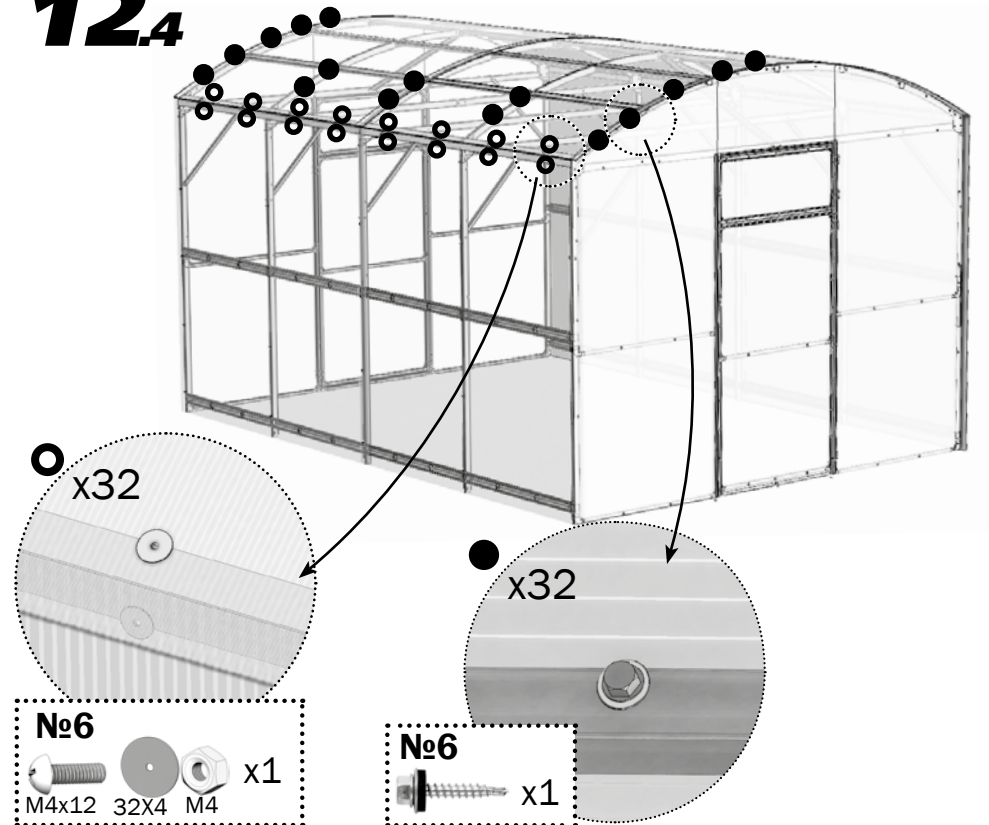
№5 x8



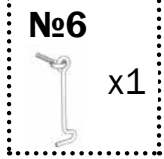
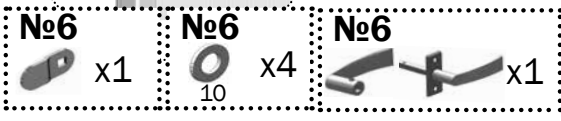
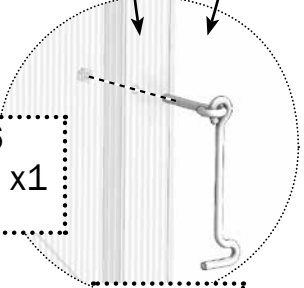
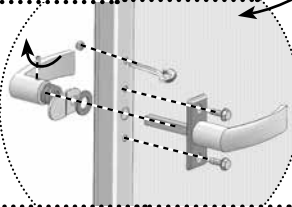
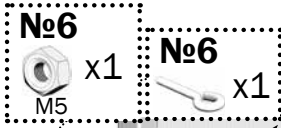
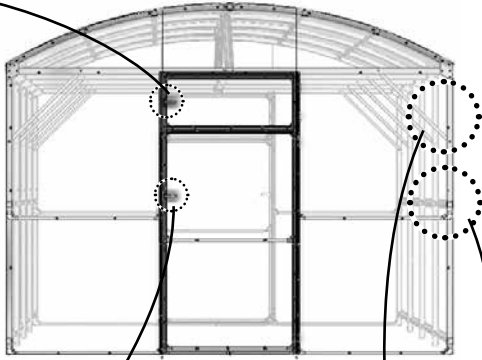
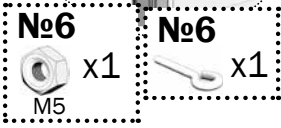
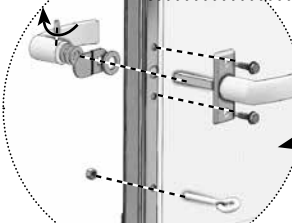
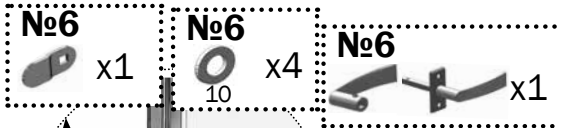
# 12.3



# 12.4



# 13



x2