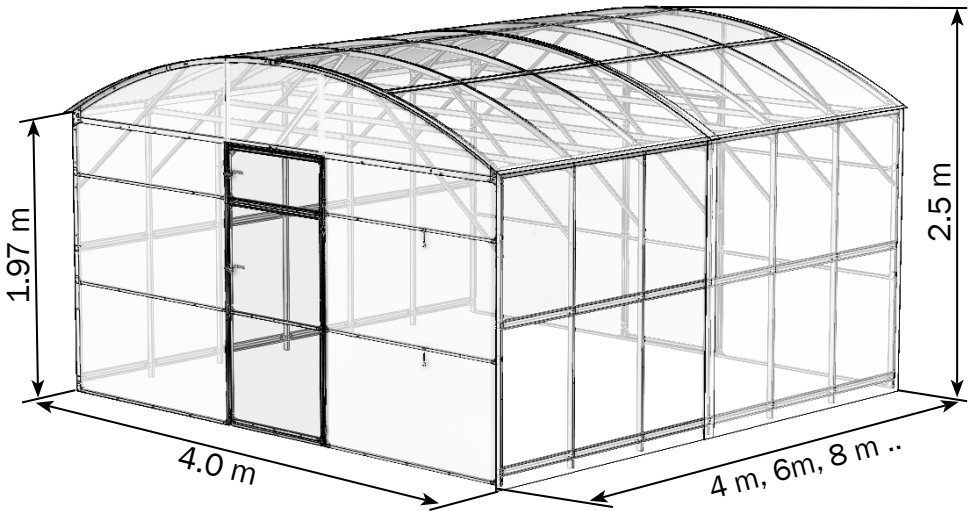
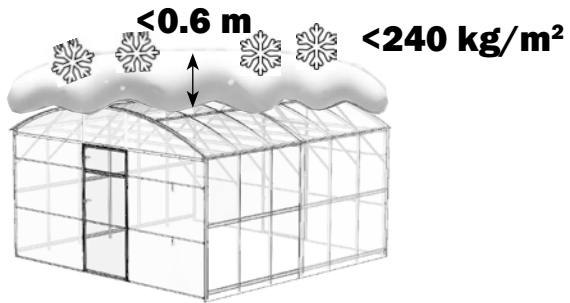
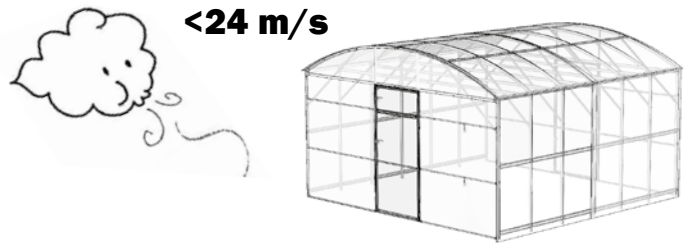
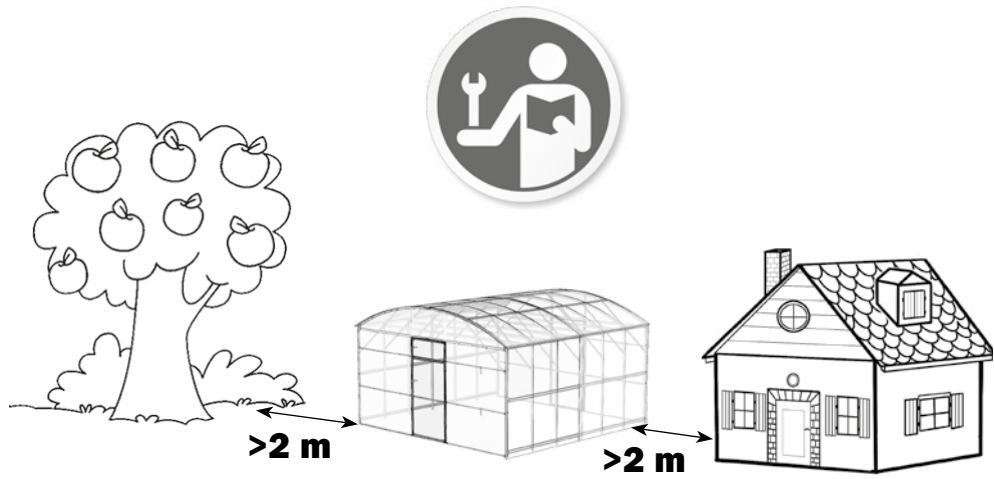


PRIMA 4

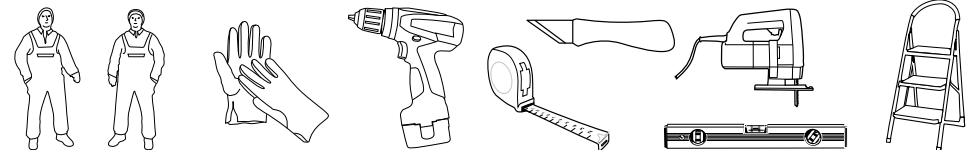


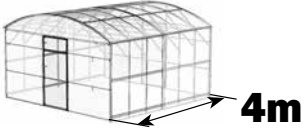











































L		
4 m	0	x 6
6 m	x 1	x 7
8 m	x 2	x 9
10 m	x 3	x 11
12 m	x 4	x 12
14 m	x 5	x 14








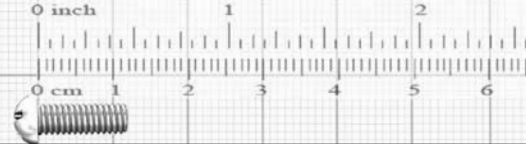
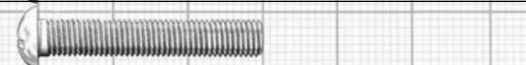
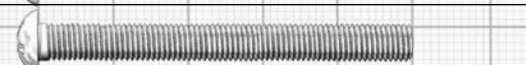
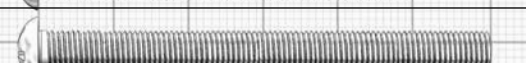


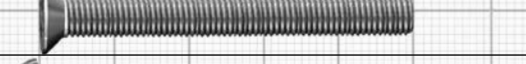










24x



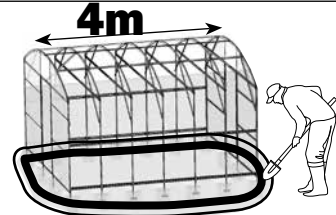



				
№1				
1	2		0.65 m	x 42
2	YC		0.87 m	x 2
№2				
3	14		1.5 m	x 14
4	15		1.49 m	x 4
5	16		1.49 m	x 4
№3				
6	9-2		1.89 m	x 2
7	9-1		1.89 m	x 2
8	12		1.48 m	x 2
9	13-3		1.48 m	x 2
10	12-2		0.36 m	x 2
11	12-4		0.36 m	x 2
12	13		0.85 m	x 2
13	13-1		0.85 m	x 8
14	8-2		1.98 m	x 2
15	8-1		1.98 m	x 2
№4				
16	4T		2.1 m	x 2
17	4T-1		2.1 m	x 2
18	4		2.1 m	x 5
19	4-1		2.1 m	x 5

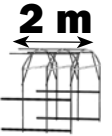












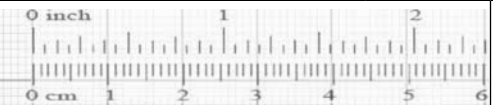

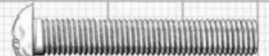

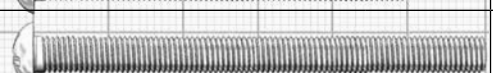
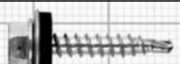
№5				
20	10		1.89 m	x 10
21	10-2		1.89 m	x 2
22	10-1		1.89 m	x 2
№6				
23	5		2.04 m	x 5
24	5-1		2.04 m	x 5
25	5T		2.04 m	x 2
26	5T-1		2.04 m	x 2
№7				
27	-		0.7 m	x 12
28	y1		0.75 m	x 2
29	y2		0.75 m	x 2
30	y8		0.75 m	x 2
31	y9		0.75 m	x 2
32	y10		0.41 m	x 2
33	y7		0.85 m	x 4
34	y17		0.41 m	x 2
№8				
35	-			x 35
36	-			x 35
37	-			x 14
38	-			x 12
39	-			x 12
40	-			x 40
41	-			x 32


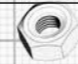
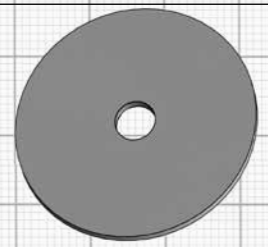
42			x 8
43			x 4
44			x 4
45			x 4
46			x 1
47			x 28
48			x 4
49	M4x12		x 84
50	M5x30		x 70
51	M5x50		x 30
52	M5x60		x 14
53	M5x30		x 62
54	M5x50		x 12
55	M6x16		x 48
56	4.8x19		x 477
57	M4		x 84
58	M5		x 196
59	M6		x 48
60	10		x 16

61	32x5		x 14
N°9			
62			0.54 m x 4
63			0.46 m x 4

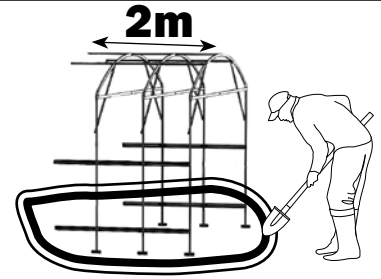

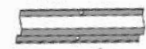


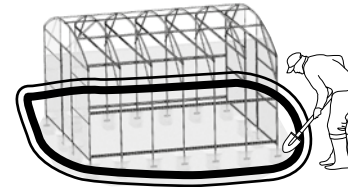
				
N°10*				
1	1		0.33	14
2	1-2		0.26	4
3	3		0.2	18

				
Nº1 (2 m)				
1	2		0.65 m	x 21
2	14		1.5 m	x 6
Nº2 (2 m)				
3	4		2.1m	x 3
4	4-1		2.1 m	x 3
Nº3 (2 m)				
5	10		1.89 m	x 6
6	5		2.04 m	x 3
7	5-1		2.04 m	x 3
Nº4 (2 m)				
8	-		0.7 m	x 6
Nº5 (2 m)				
9	-			x 21
10	-			x 21
11	-			x 12
12	-			x 1
13	-	M4x12	 	x 42
14	-	M5x30		x 42
15	-	M5x50		x 18
16	-	M5x60		x 6
17	-	4.8x19		x 81

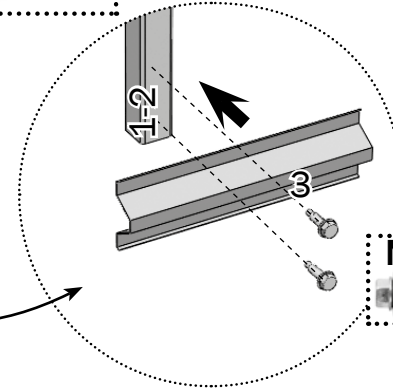
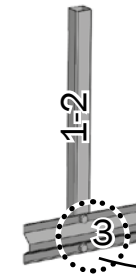
18	-	M4		x 42
19	-	M5		x 66
20	-	32x5		x 6



				
Nº6 (2 m)*				
1	1		0.33 m	x 6
2	3		0.2 m	x 6



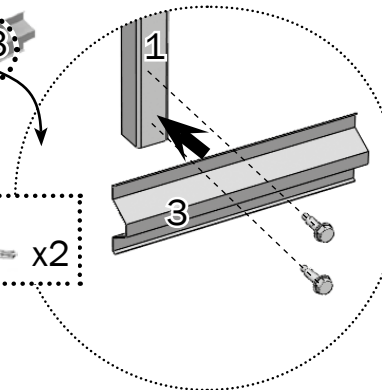
.1** **№10
1-2 x1 **№10***
3 x1



№6
x2

x4

.2** **№10
1 x1 **№10***
3 x1



№8
x2

x14

1.1

№5
10-1 x1

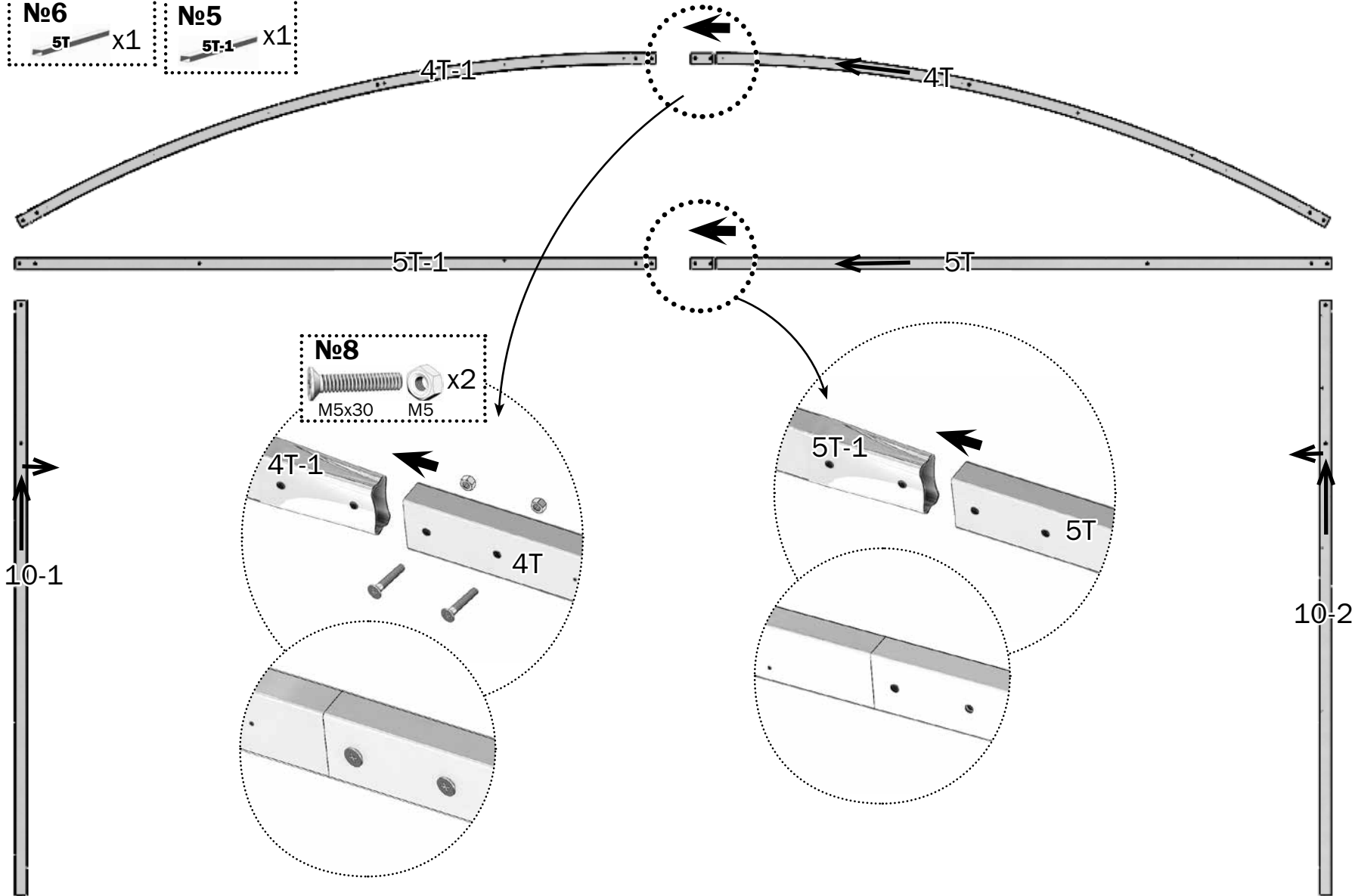
№5
10-2 x1

№4
4T-1 x1

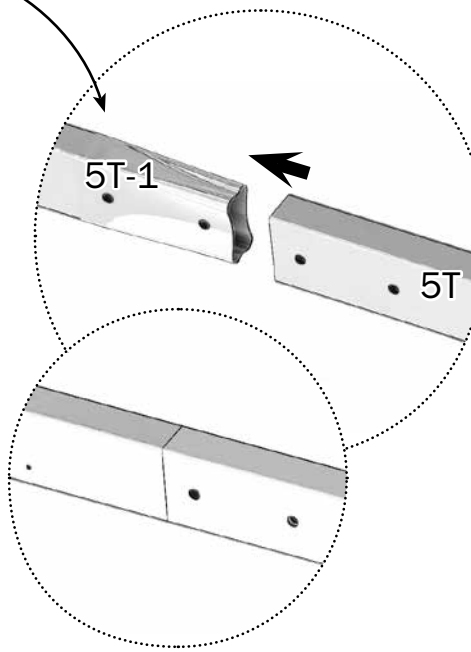
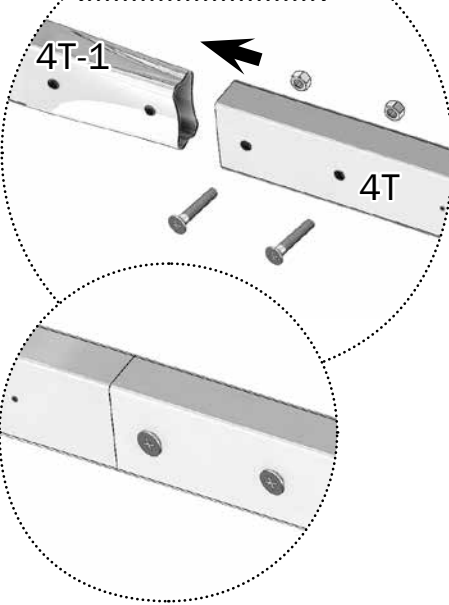
№4
4T x1

№6
5T x1

№5
5T-1 x1



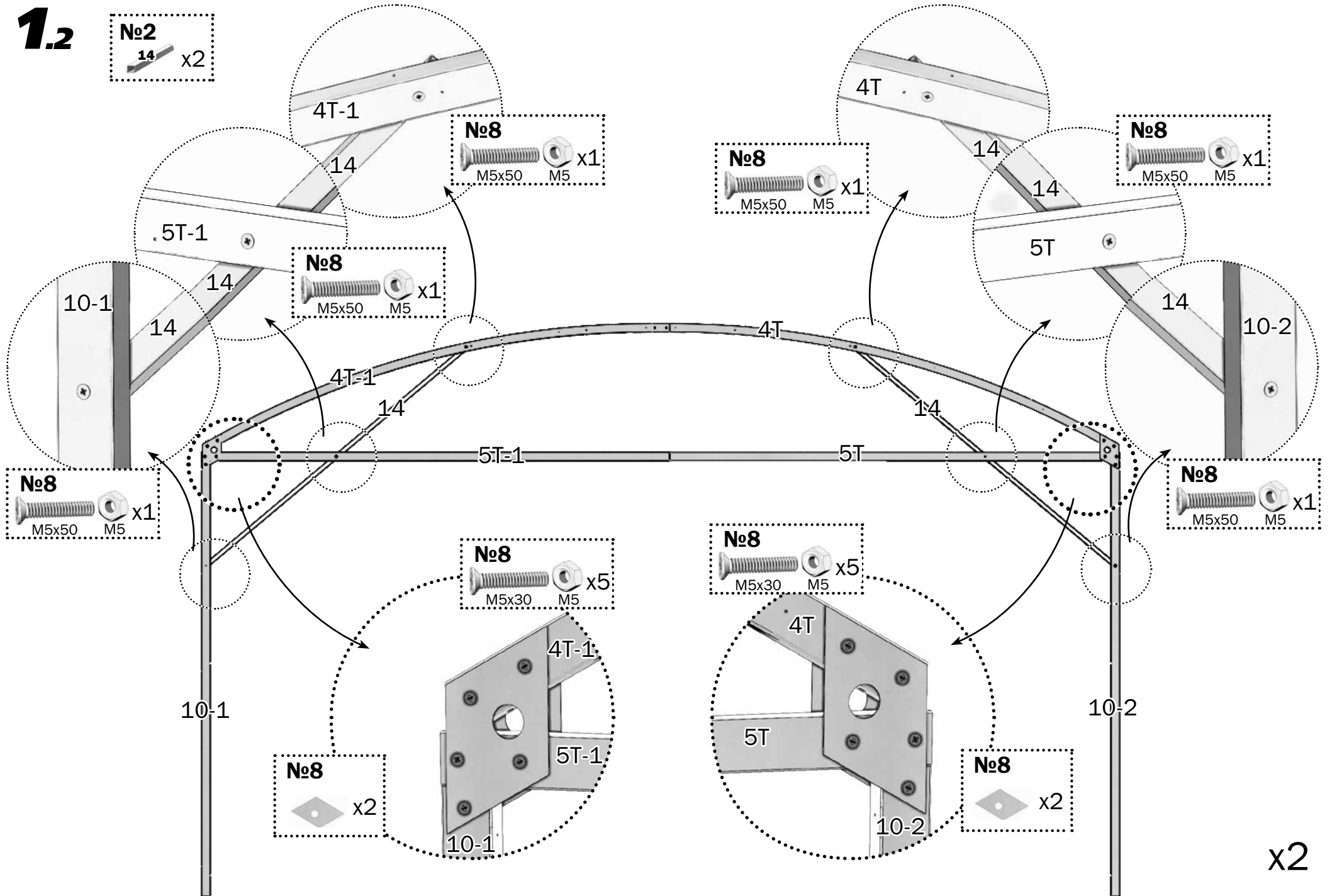
№8
M5x30 x2
M5



x2

1.2

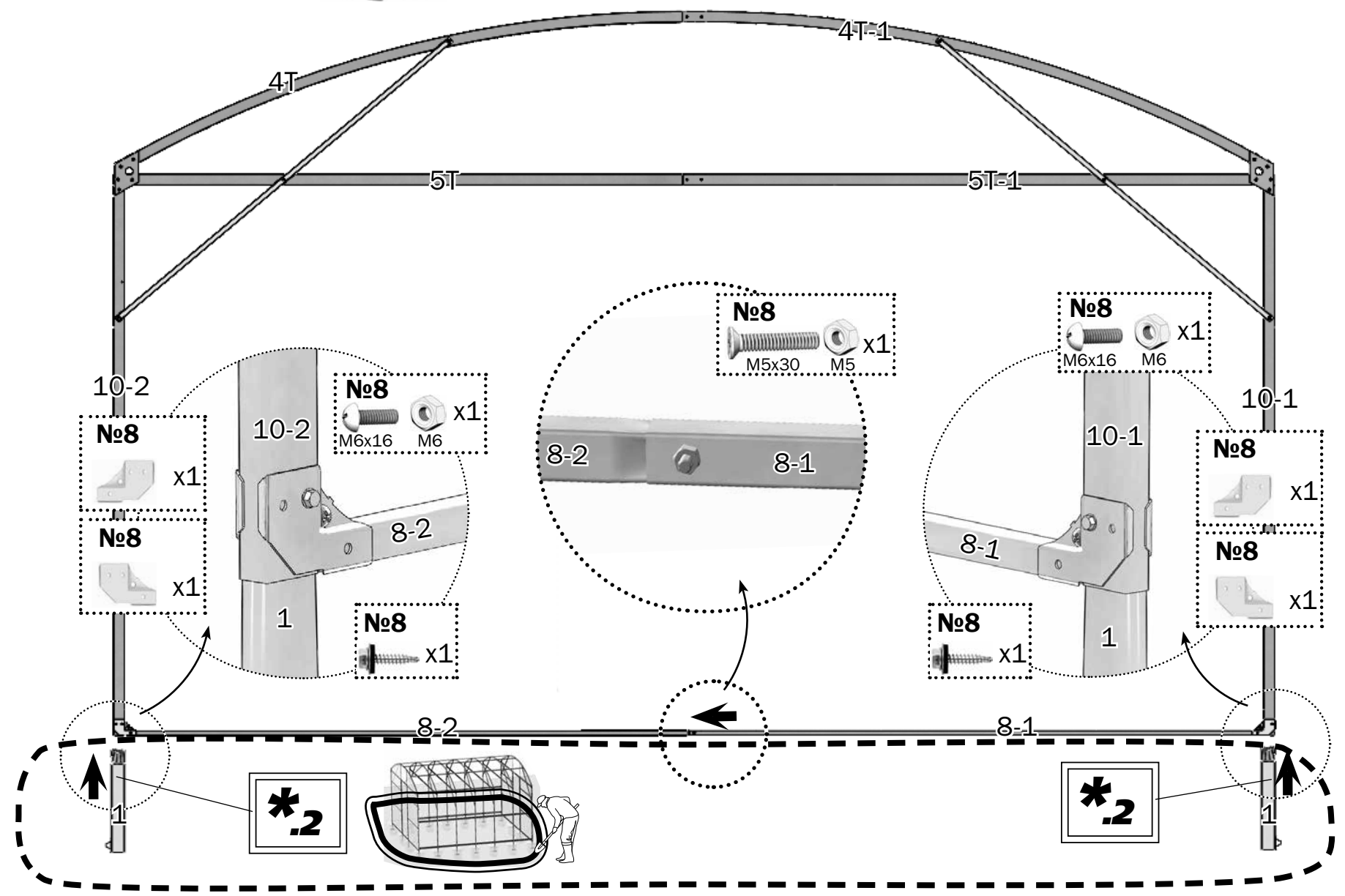
№2
14 x2



x2

1.3

- №3 8-1 x1
- №3 8-2 x1

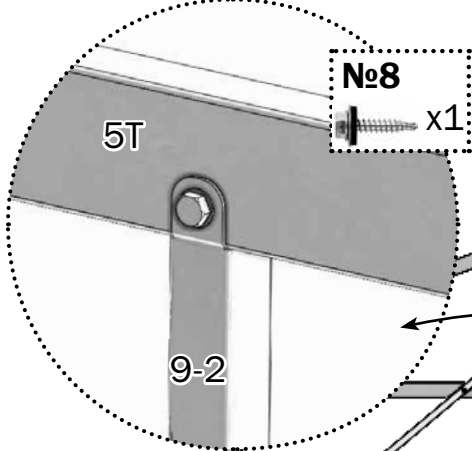


x2

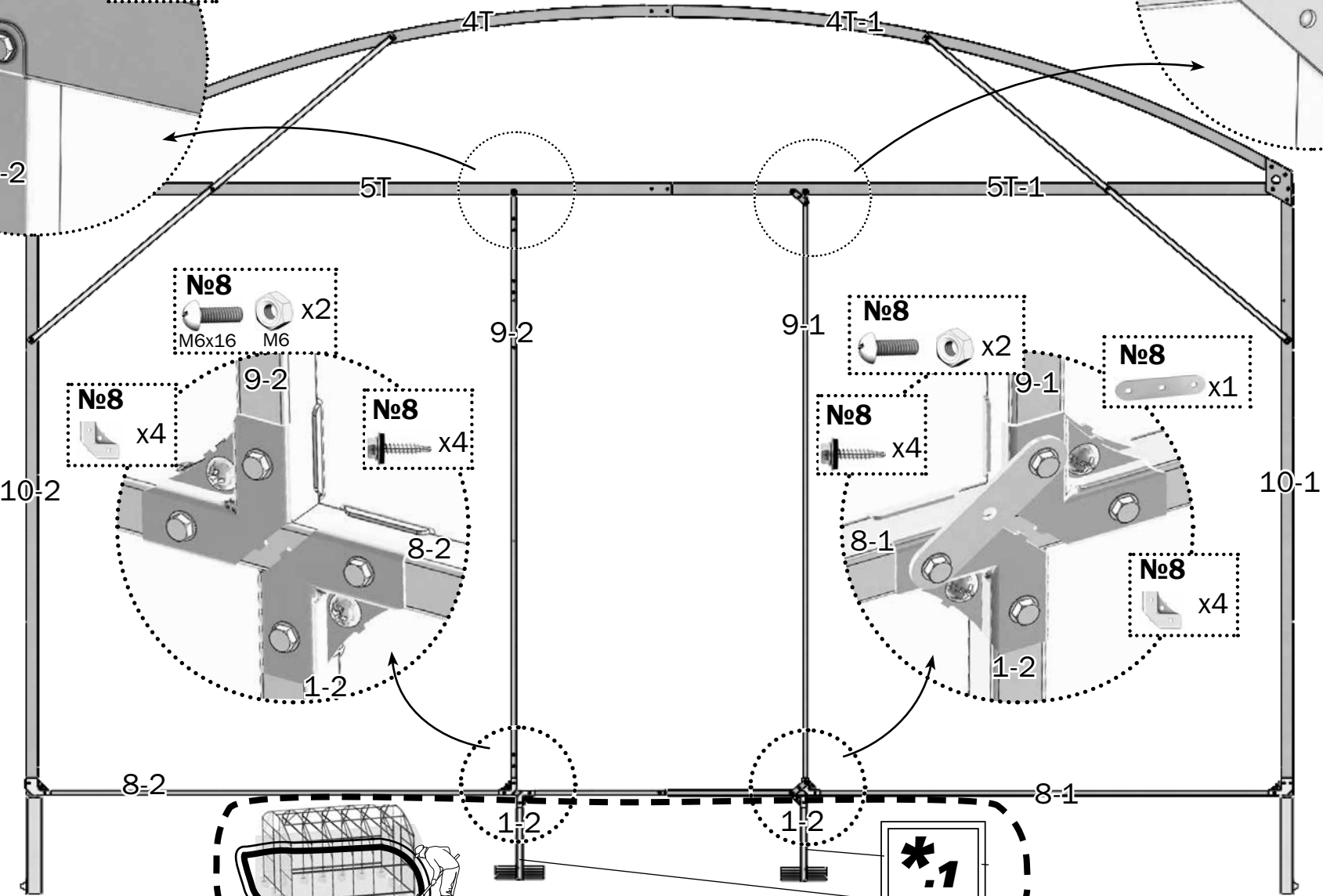
1.4

- №3 9-2 x1
- №3 9-1 x1

- №8 x1
- №8 x3
- 5T-1
- 9-1



- №8 x1



- №8 M6x16 M6 x2

- №8 x4

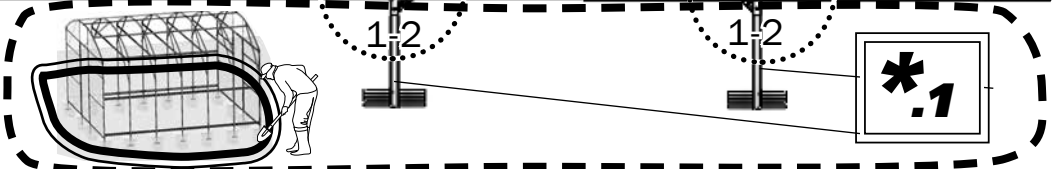
- №8 x4

- №8 x2

- №8 x4

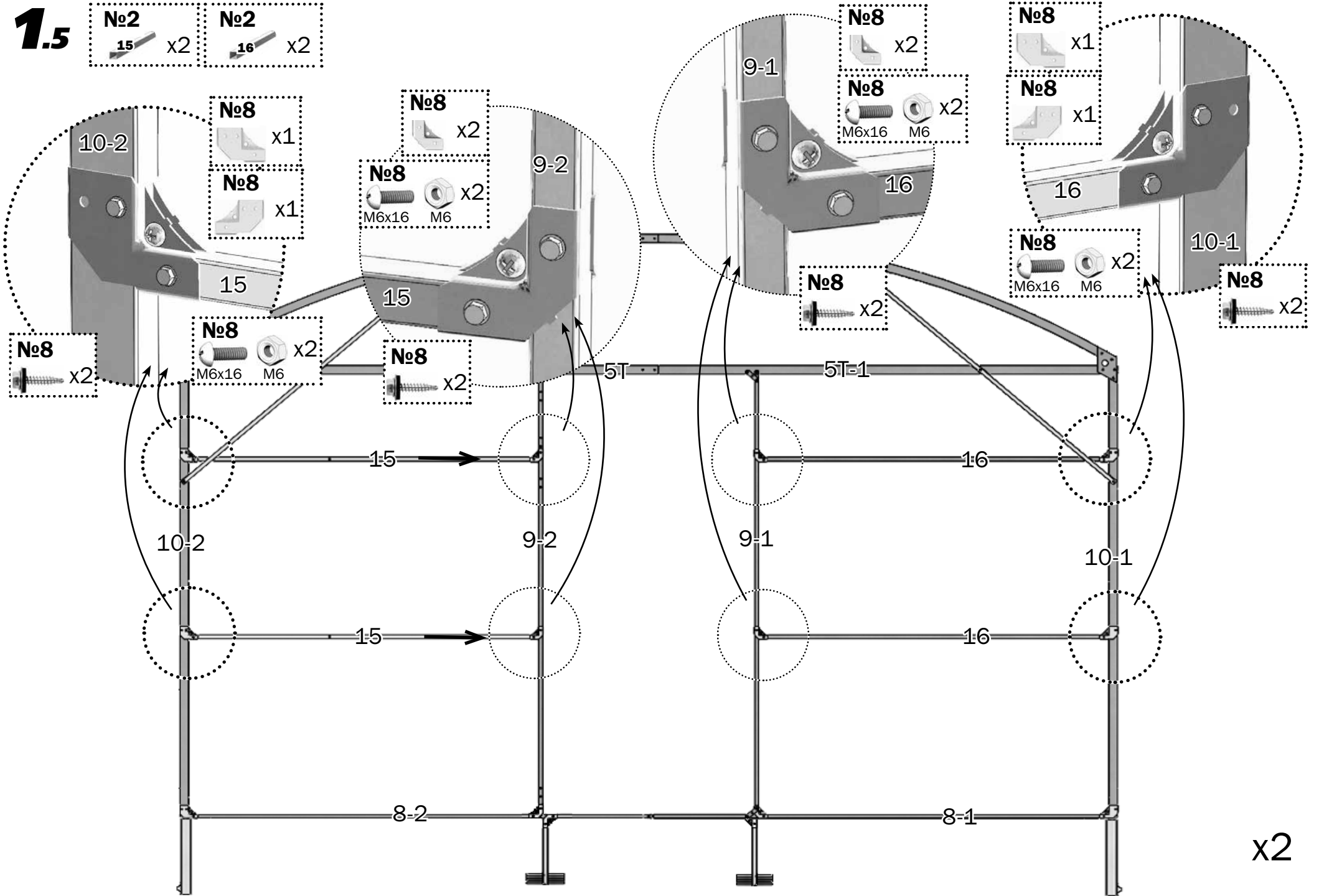
- №8 x1

- №8 x4

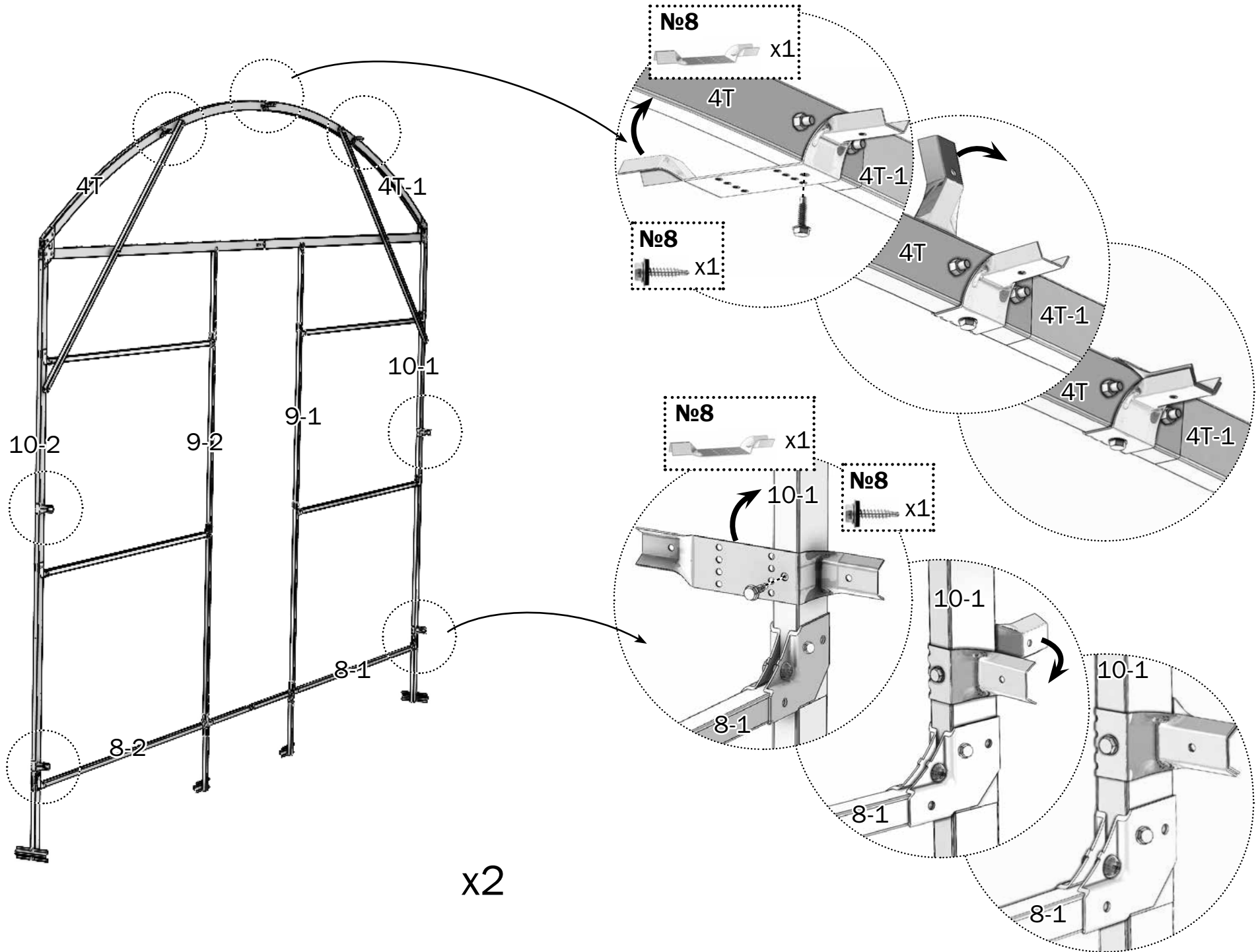


x2

1.5



1.6

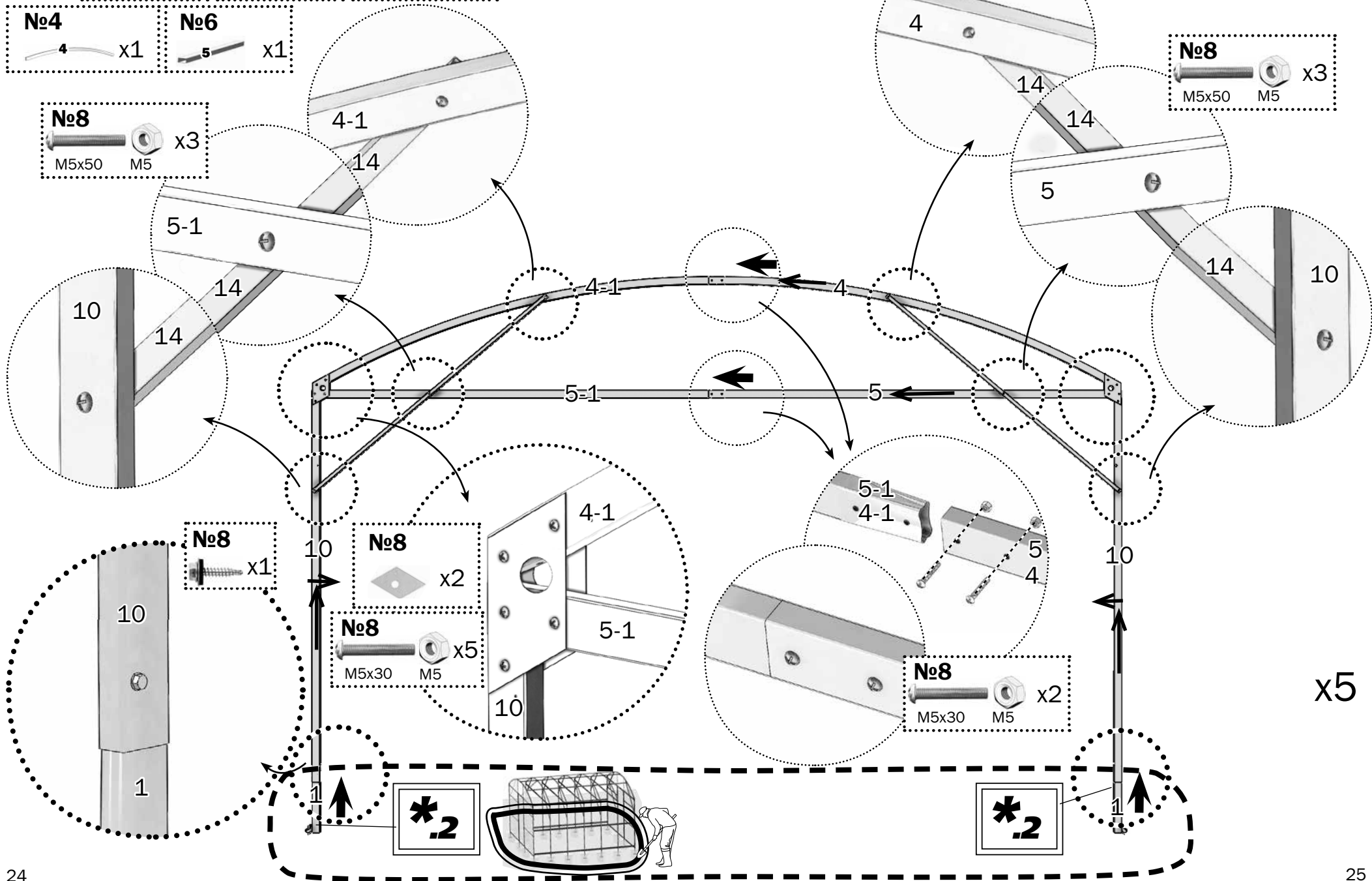


2.1 №8 10 x2 №6 5-1 x1 №4 4-1 x1 №2 14 x1

№4 4 x1 №6 5 x1

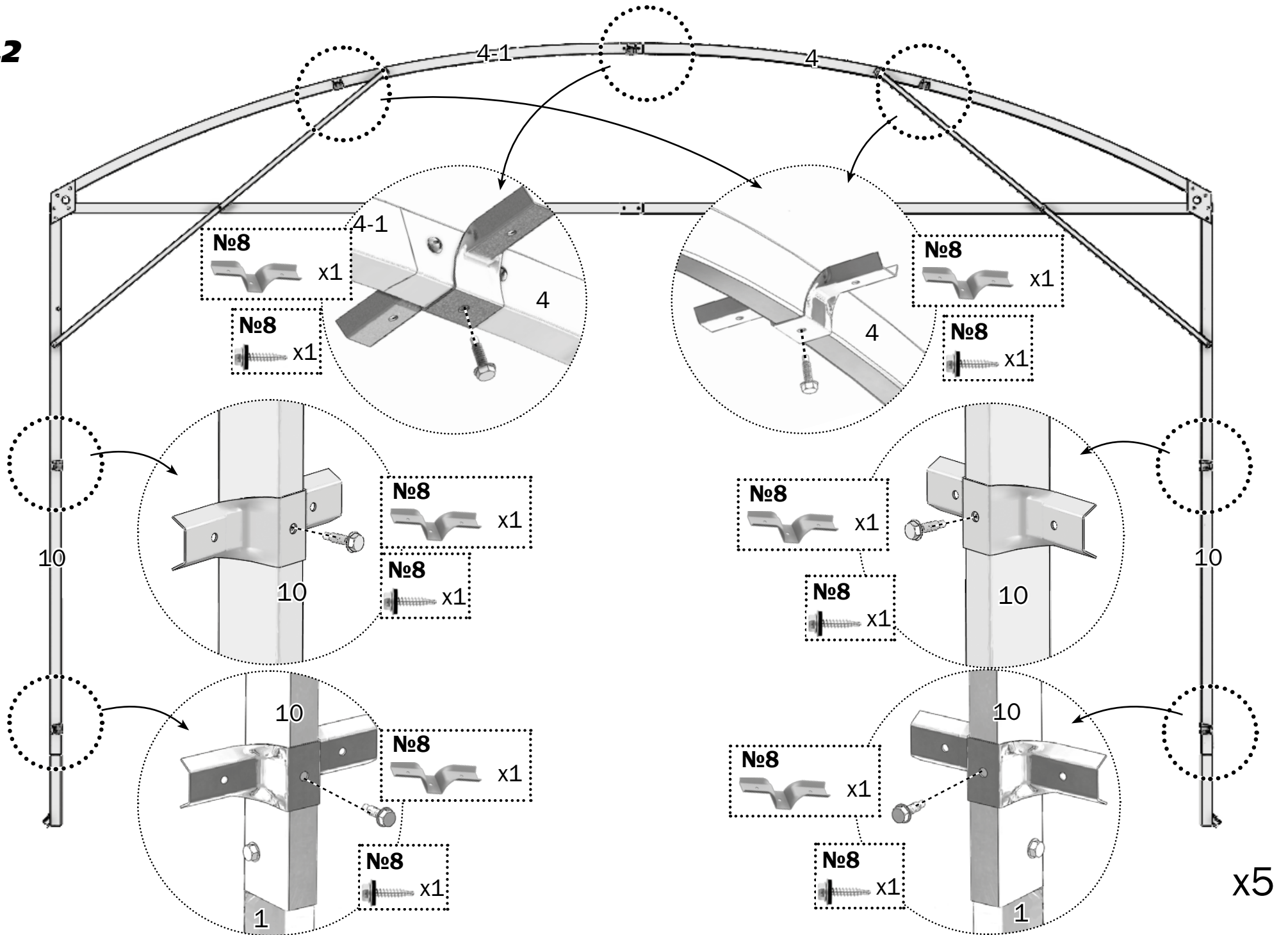
№8 M5x50 M5 x3

№8 M5x50 M5 x3

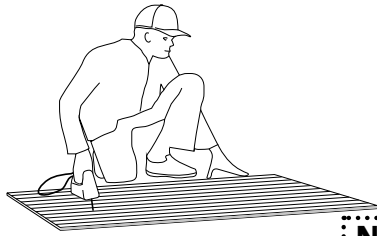


x5

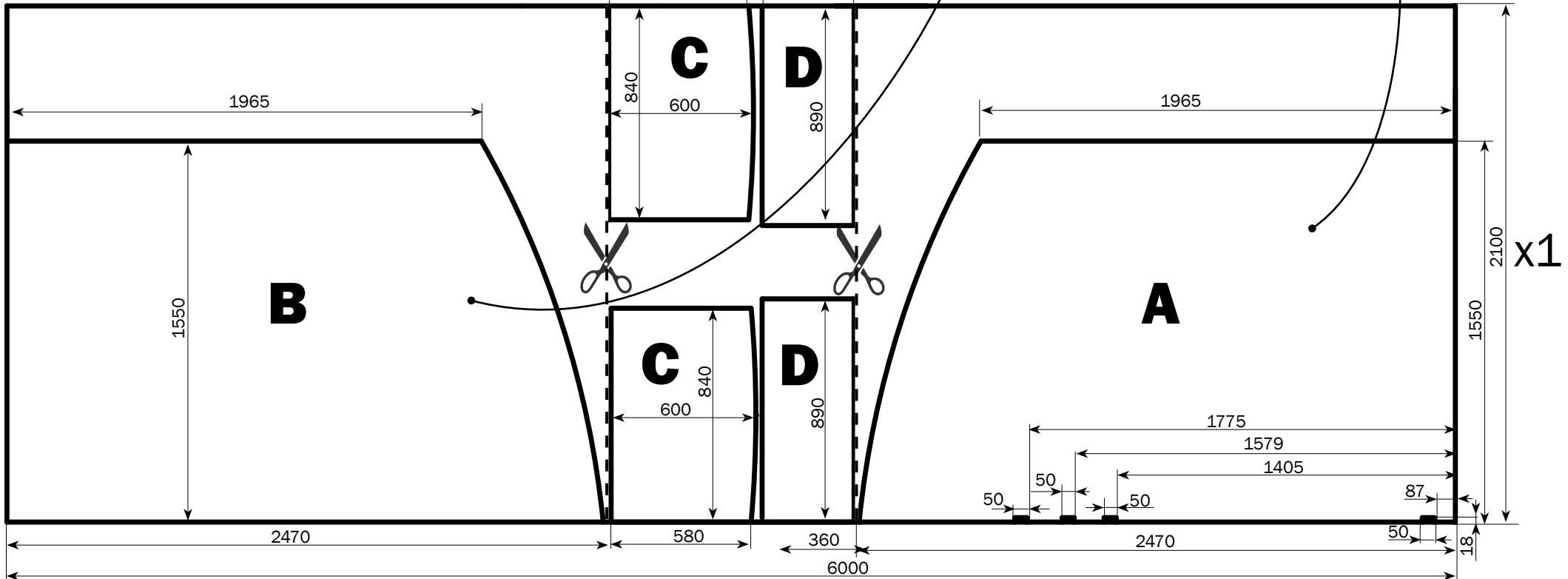
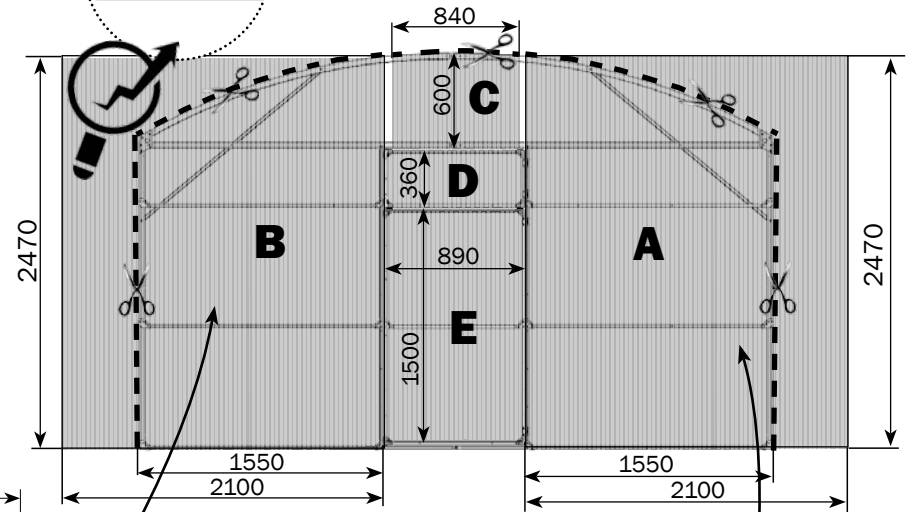
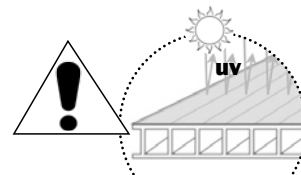
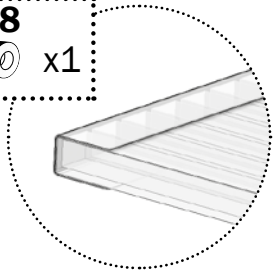
2.2

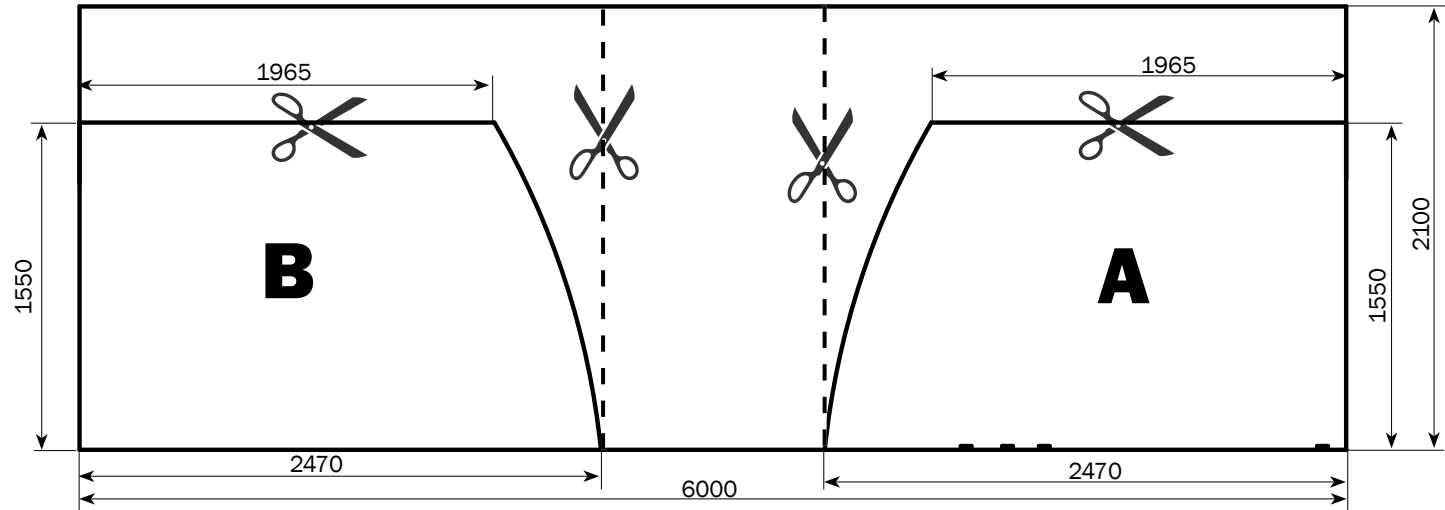


3

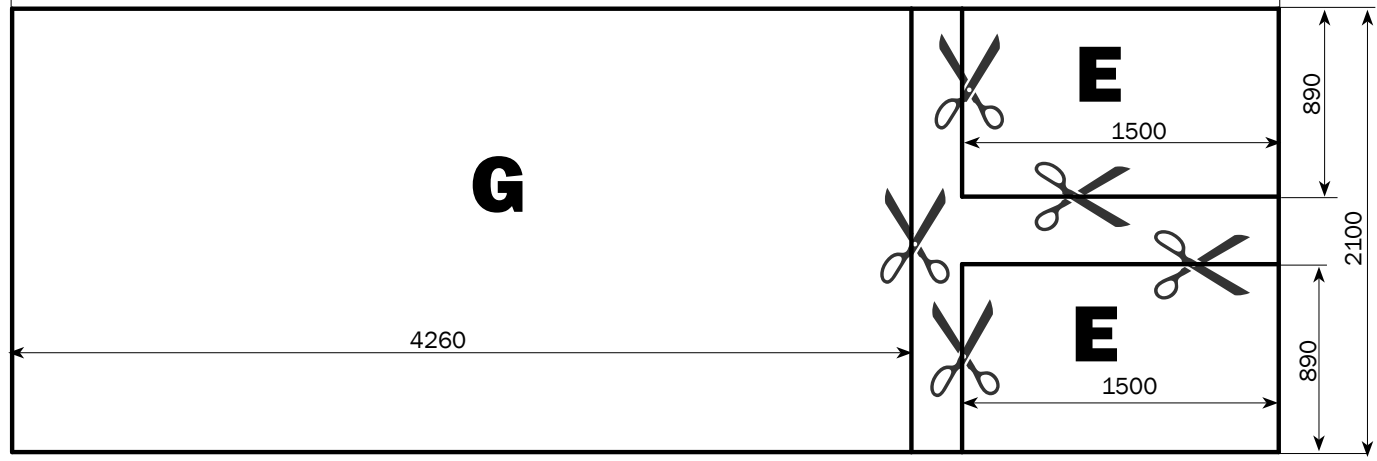


№8
x1

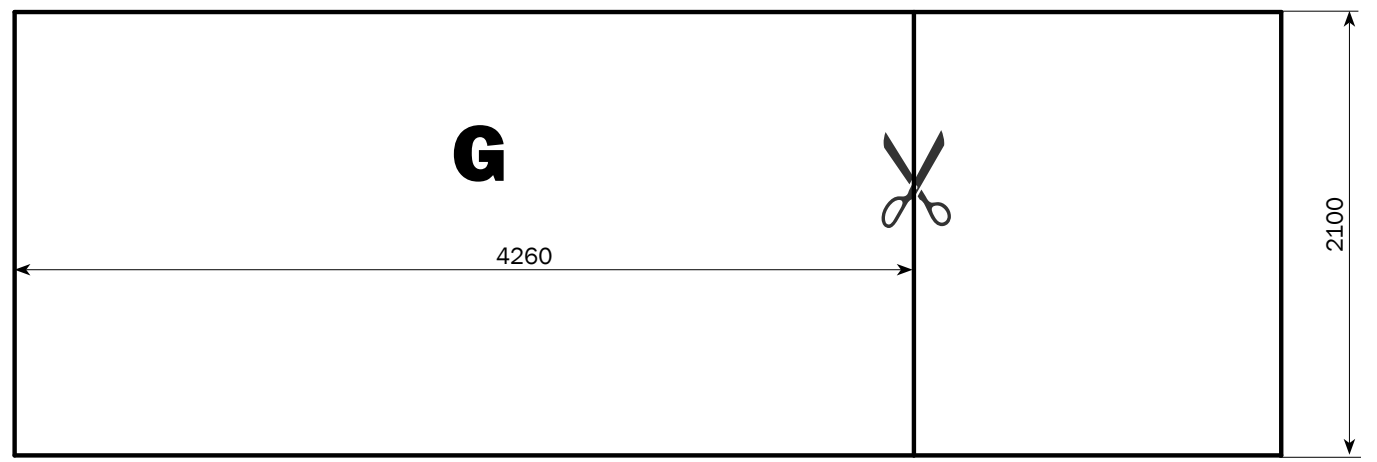




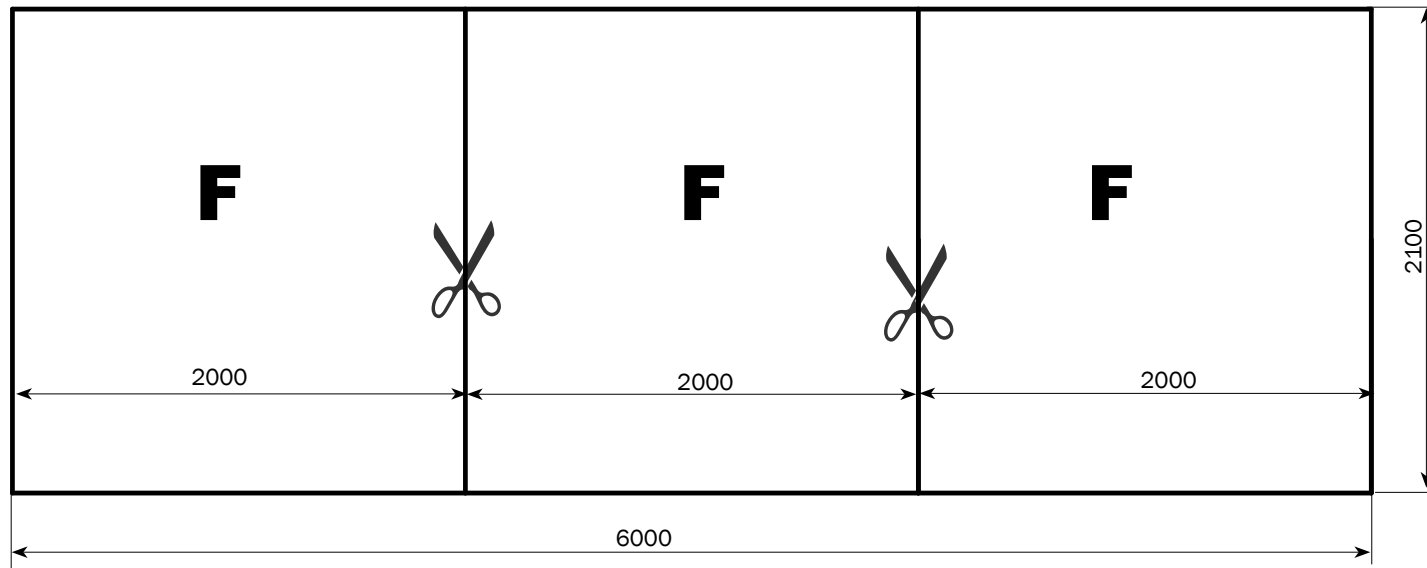
x1



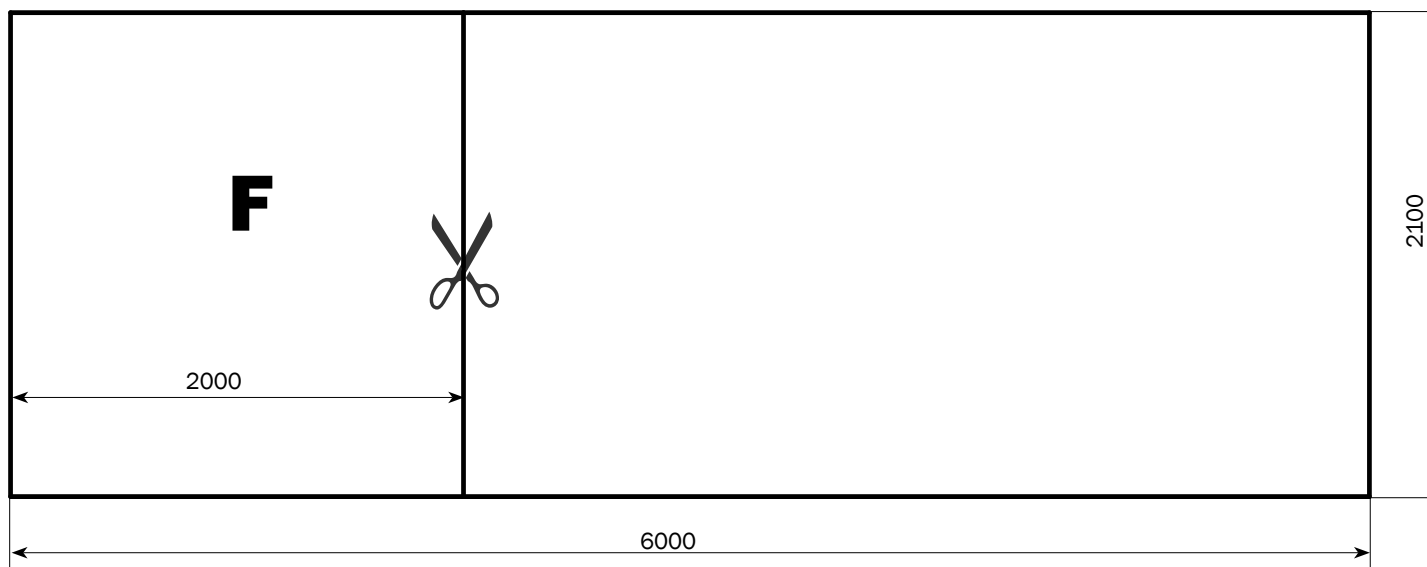
x1



x1

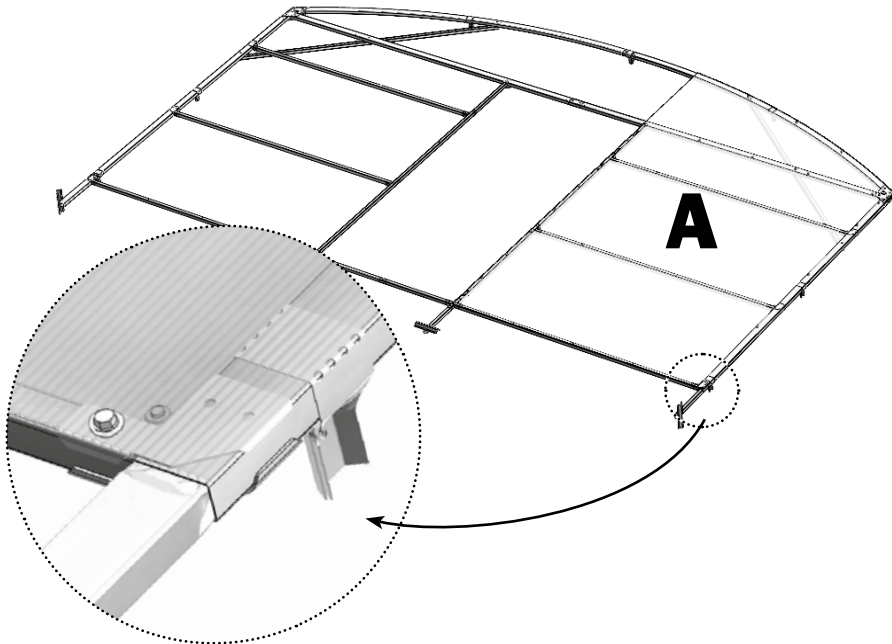
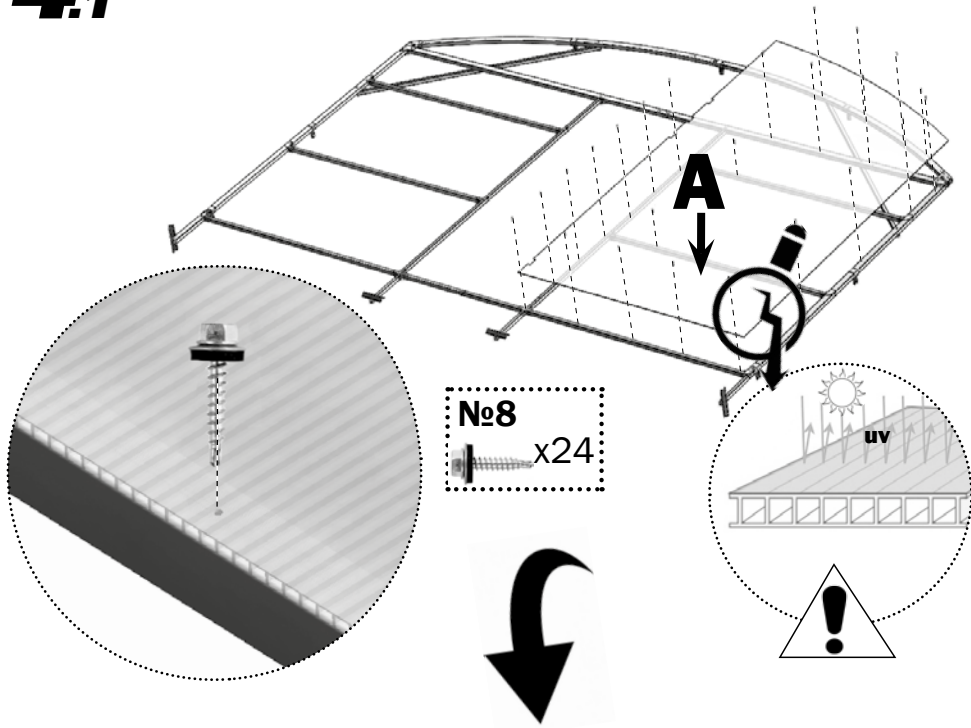


x1

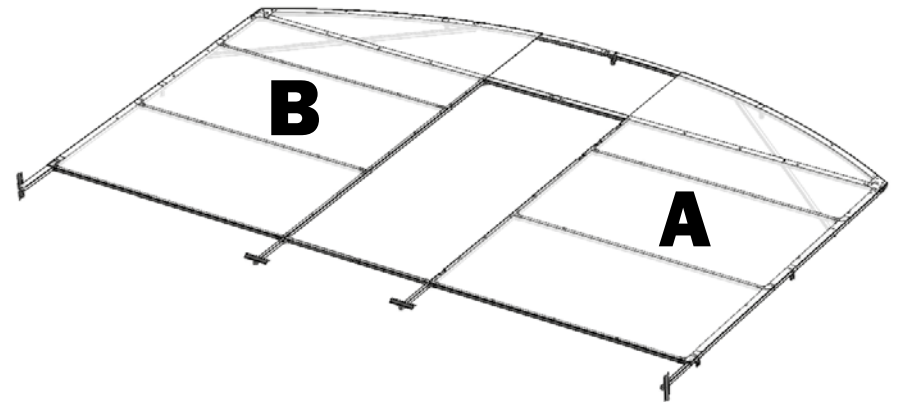
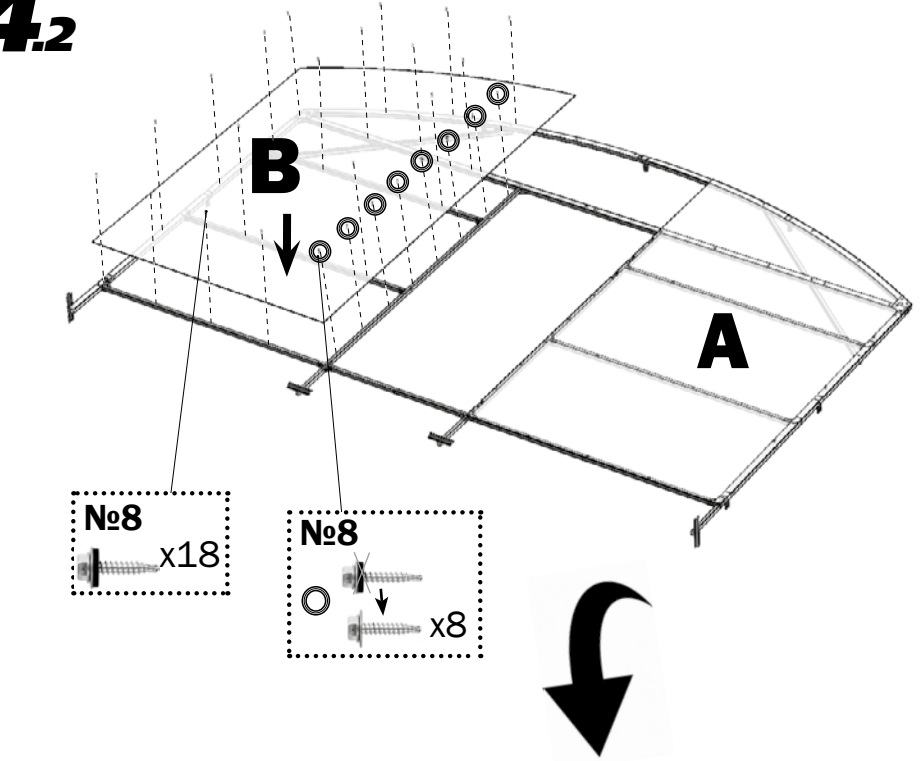


x1

4.1



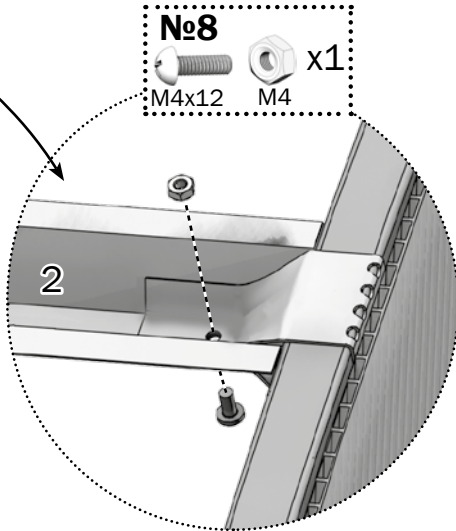
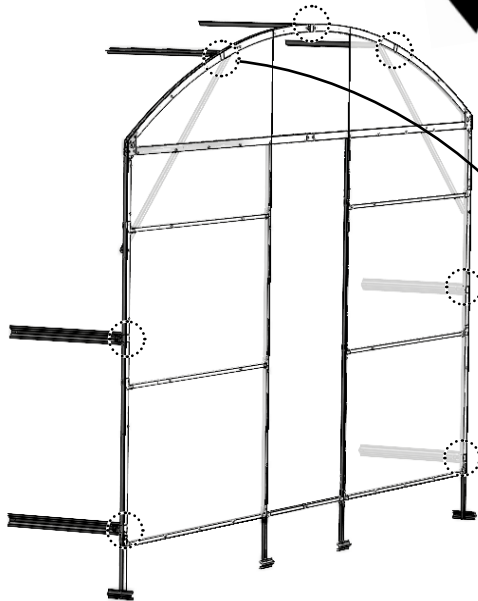
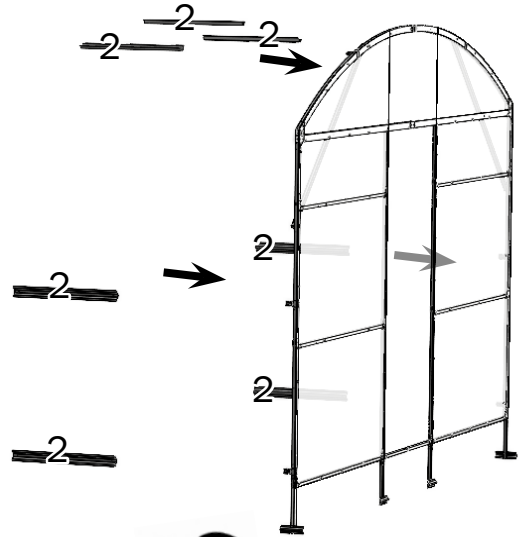
4.2



x2

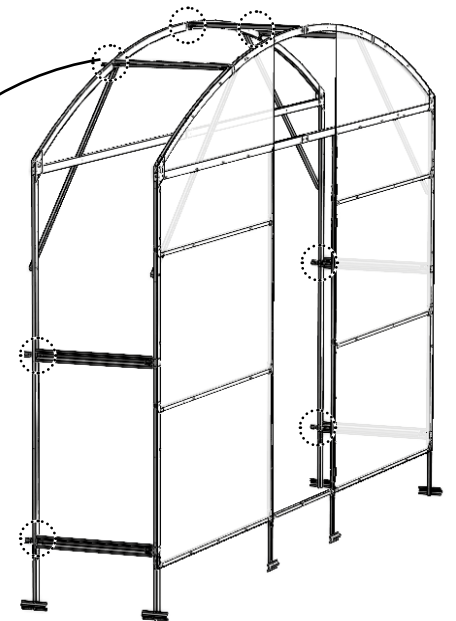
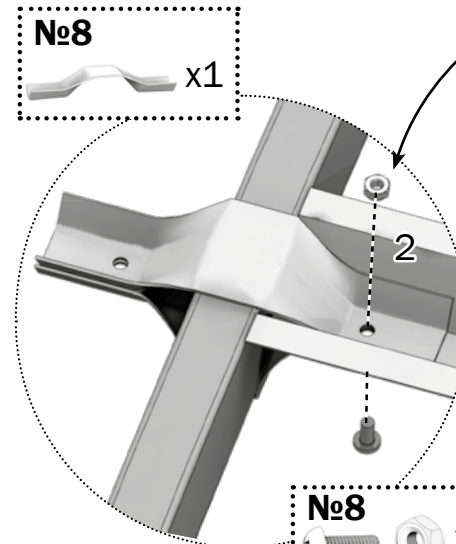
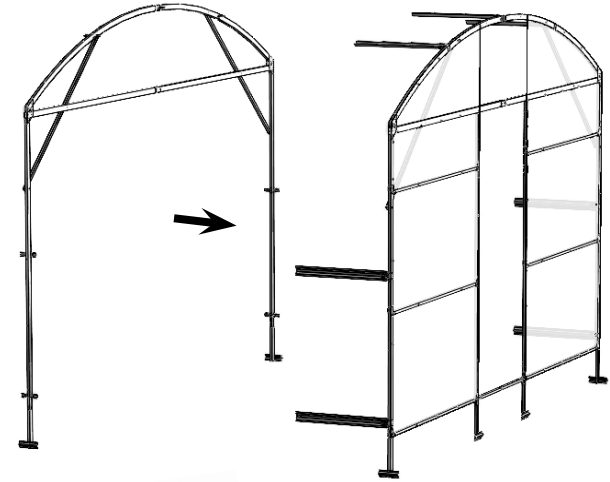
5.1

№1
2 x7



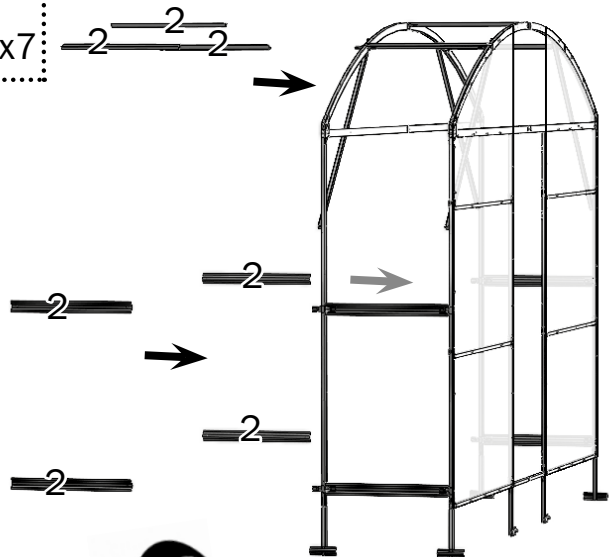
5.2

№8
x7

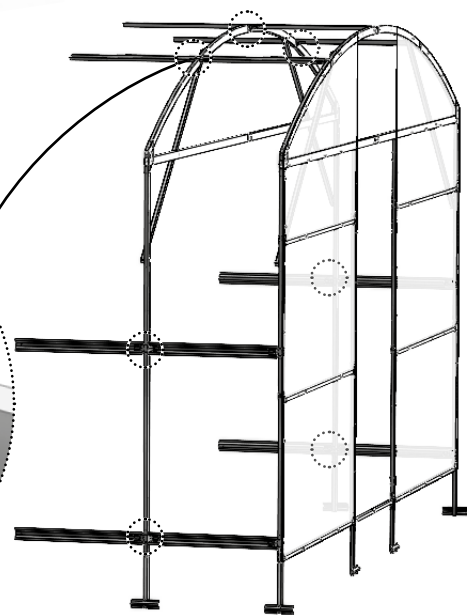
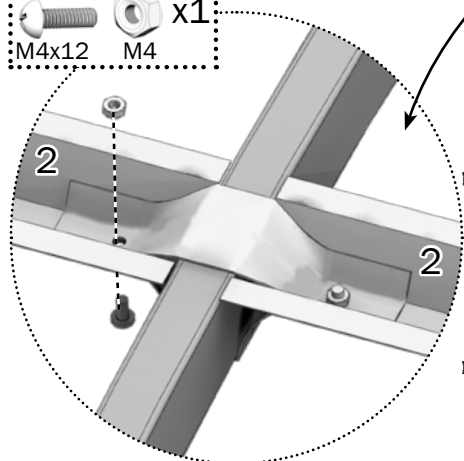


5.3

No1
2 x7



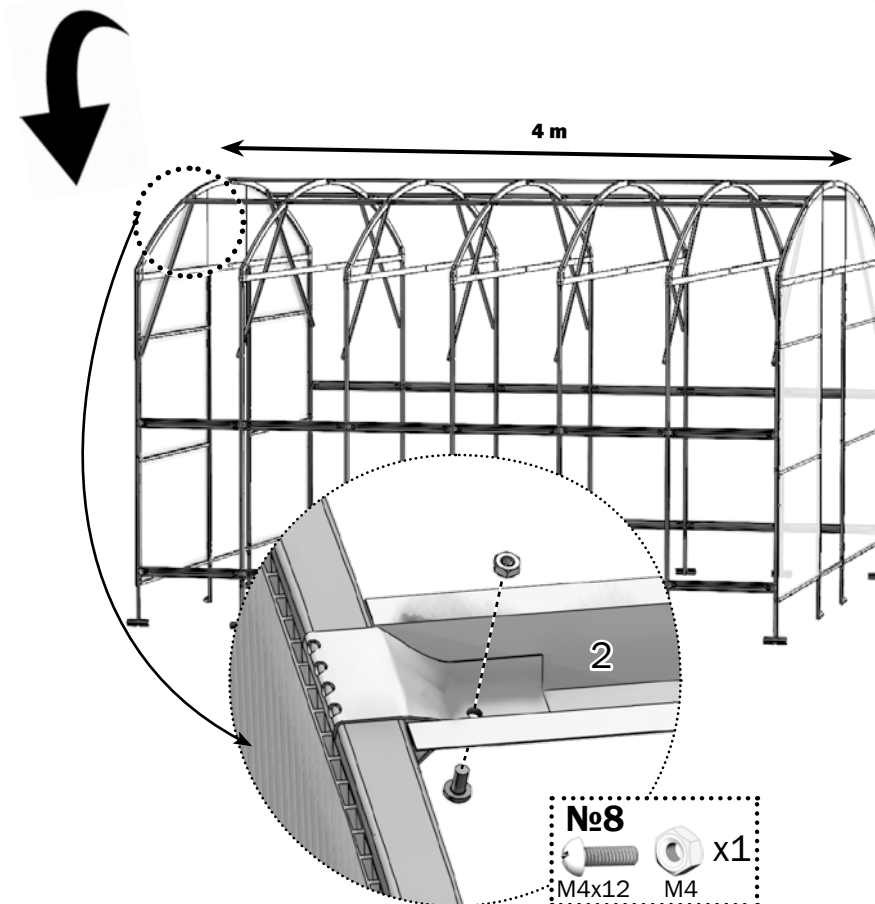
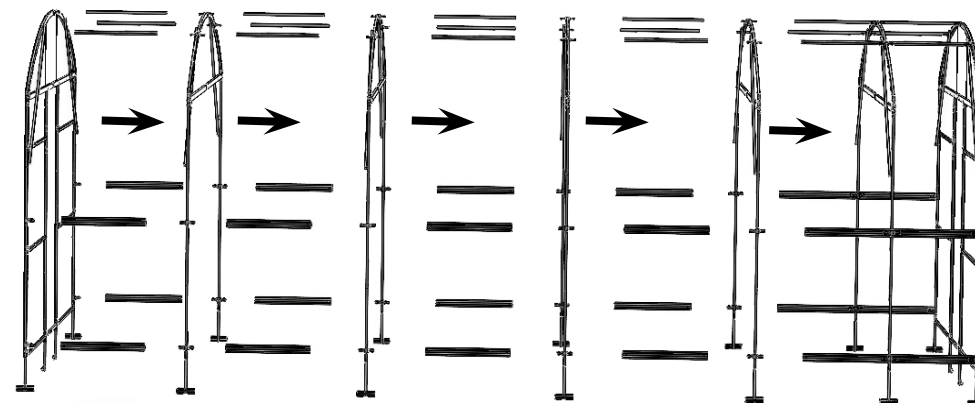
No8
M4x12 x1
M4



5.4

No1
2 x28

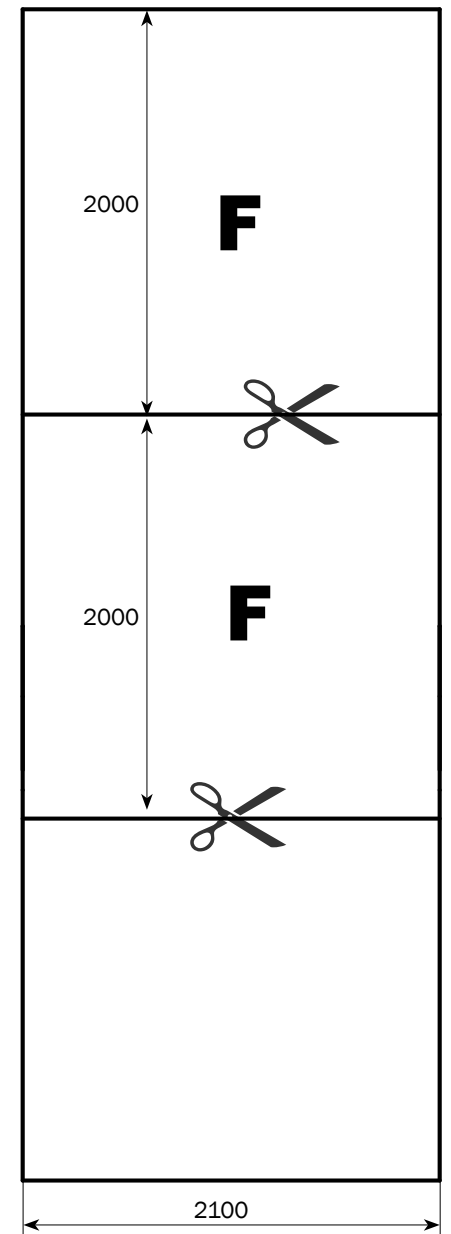
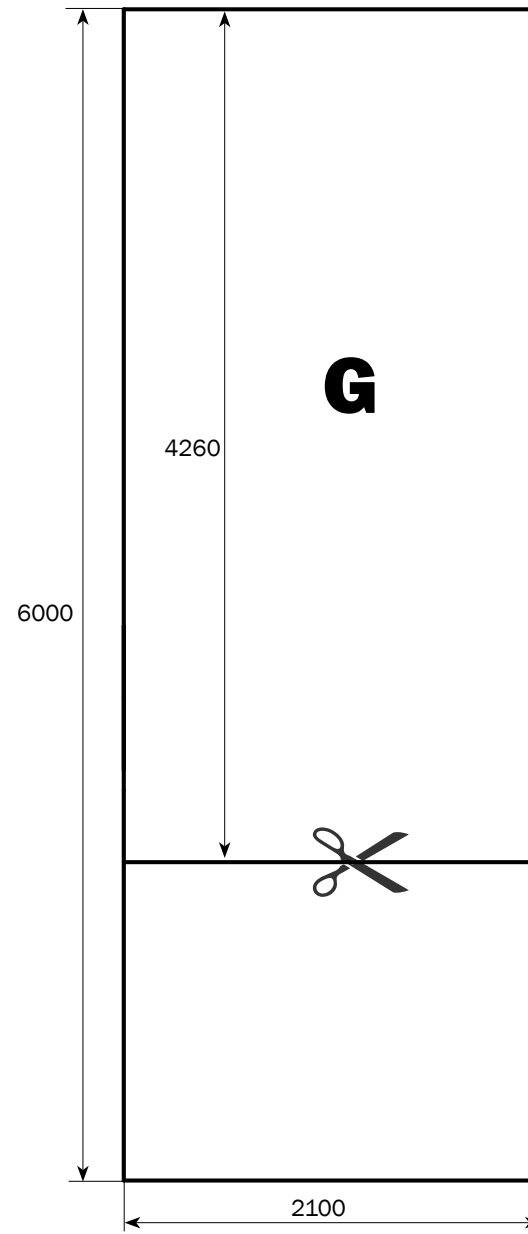
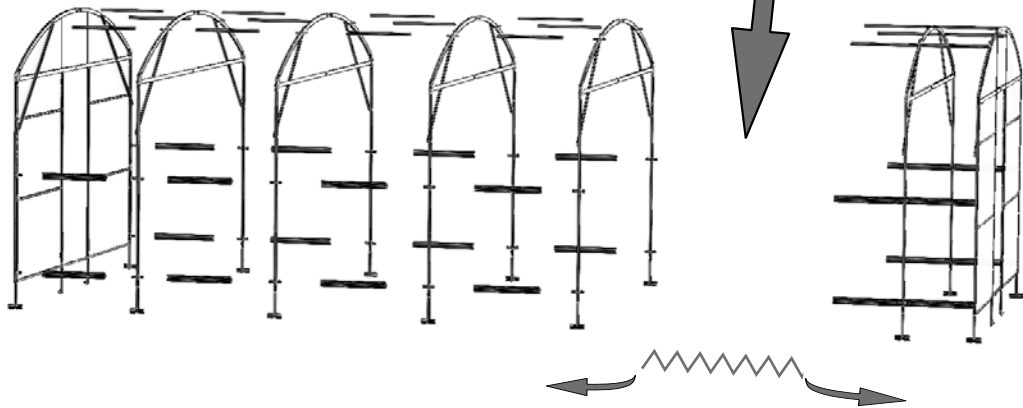
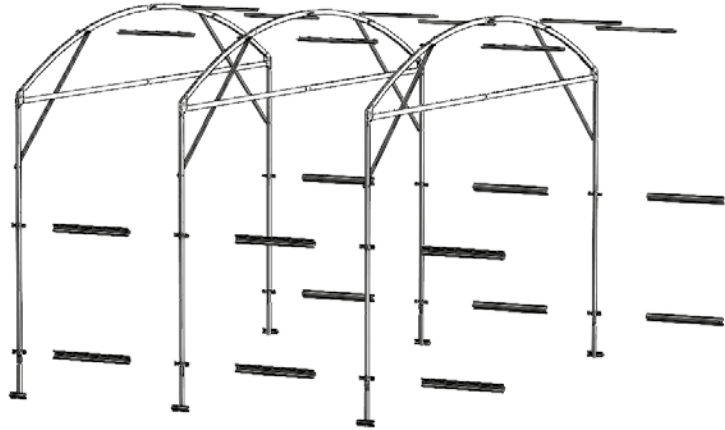
No8
x28



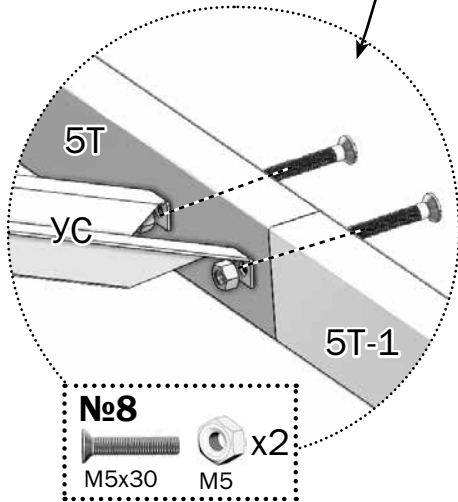
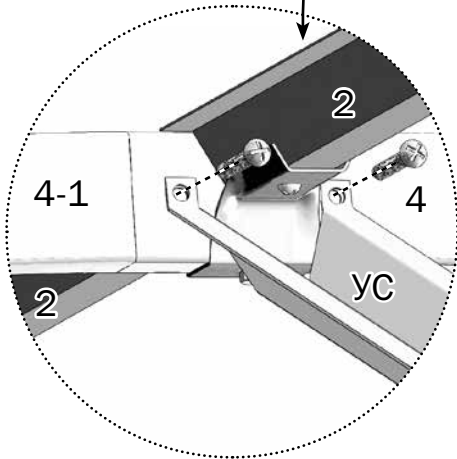
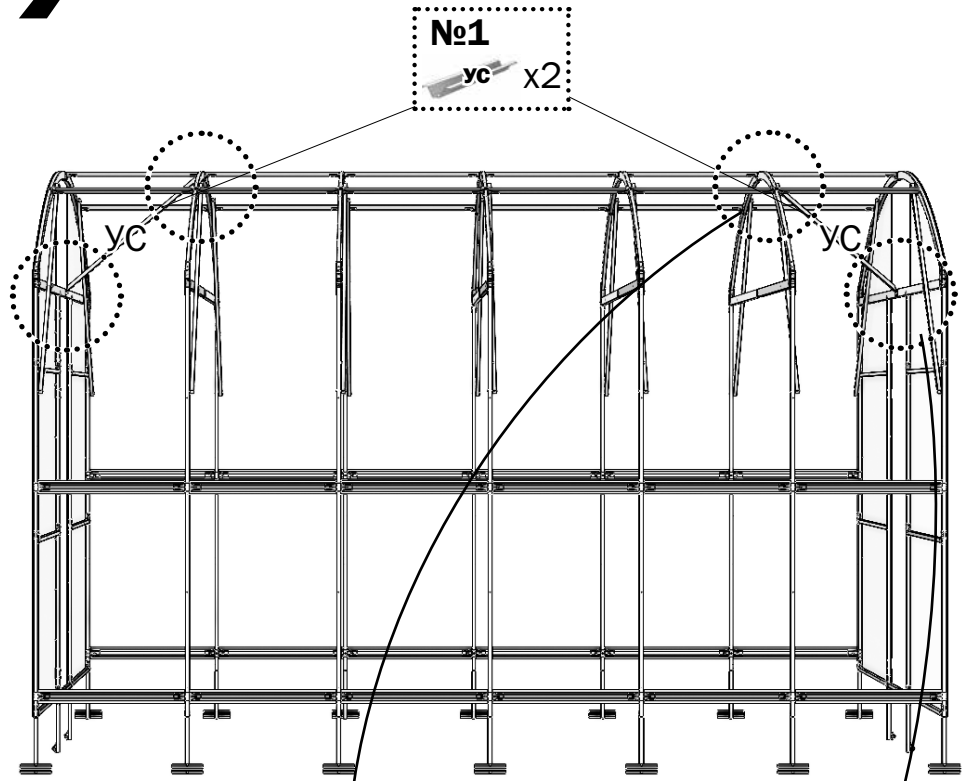
No8
M4x12 x1
M4

6

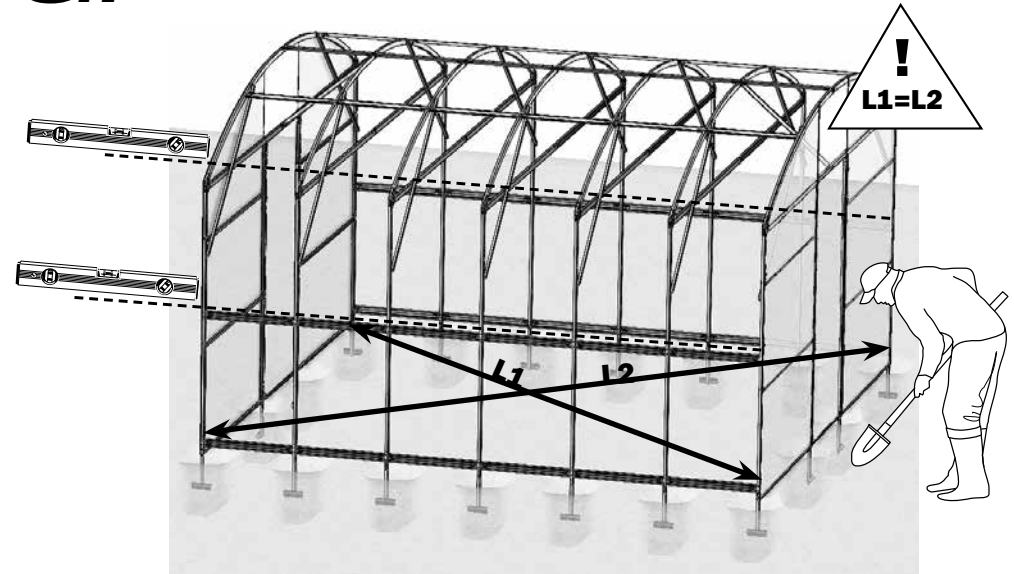
- No1 (2 m) 2 x21
- No3 (2 m) 10 x6
- No3 (2 m) 5-1 x3
- No1 (2 m) 14 x6
- No2 (2 m) 4 x3
- No2 (2 m) 4-1 x3
- No3 (2 m) 5 x3



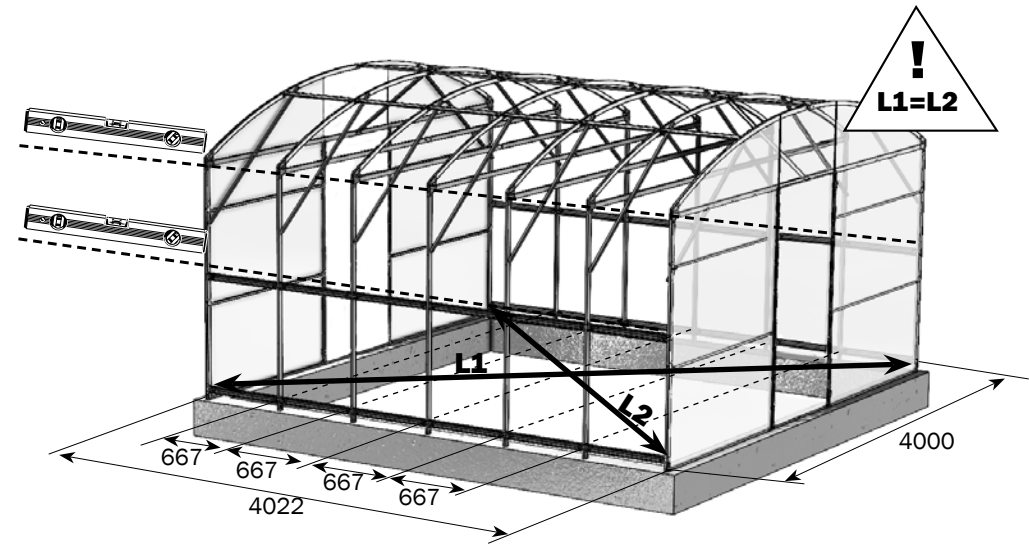
7



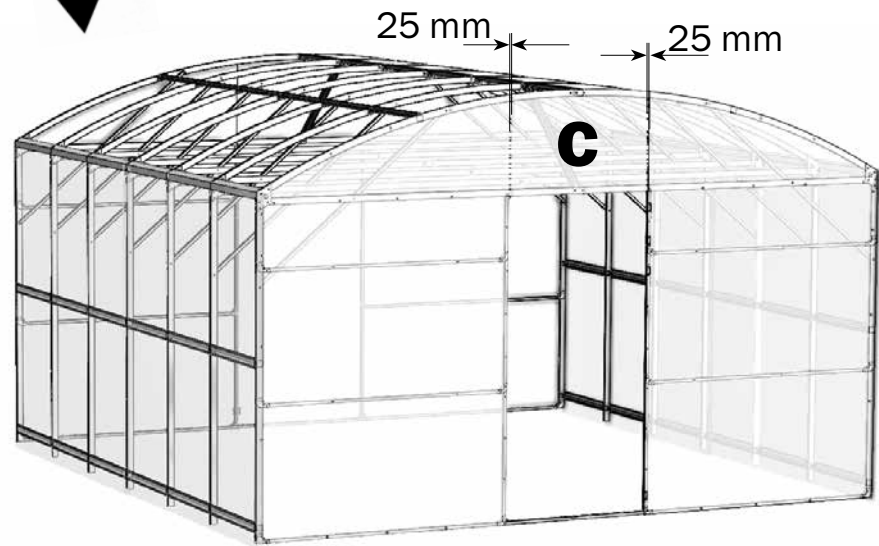
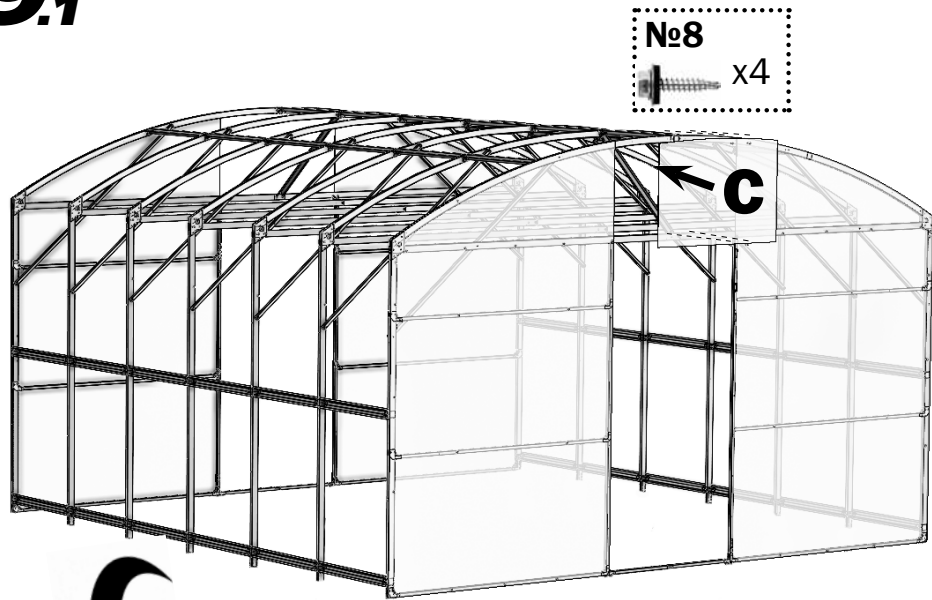
8.1



8.2

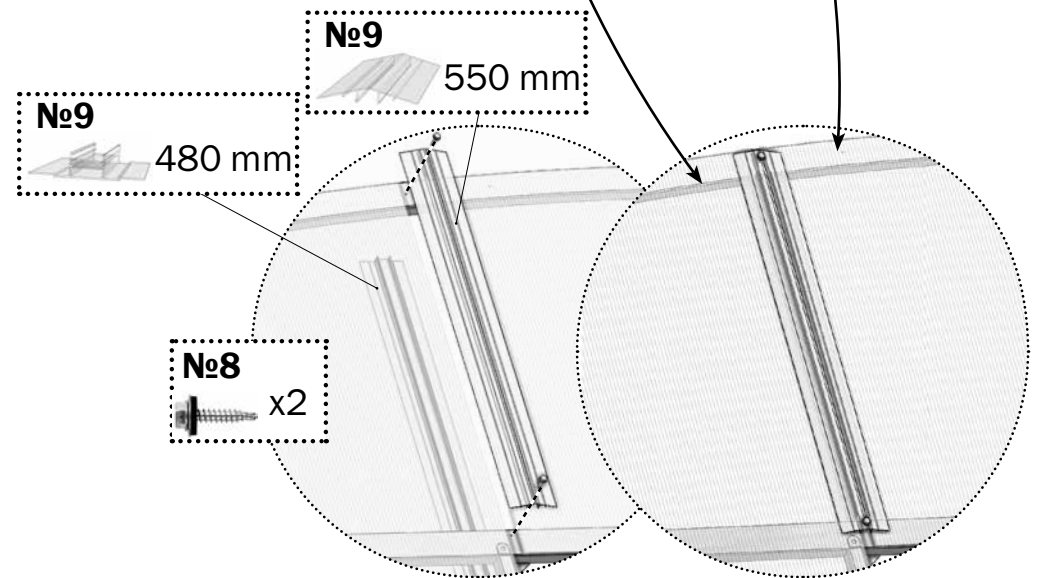
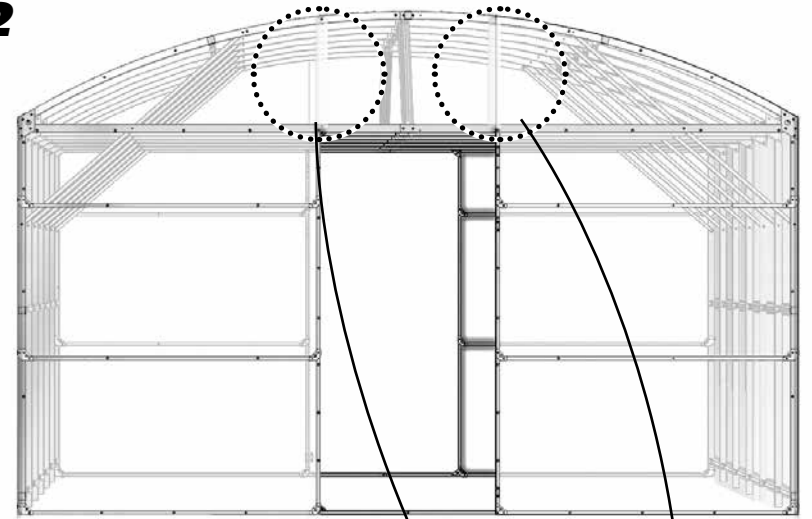


9.1



x2

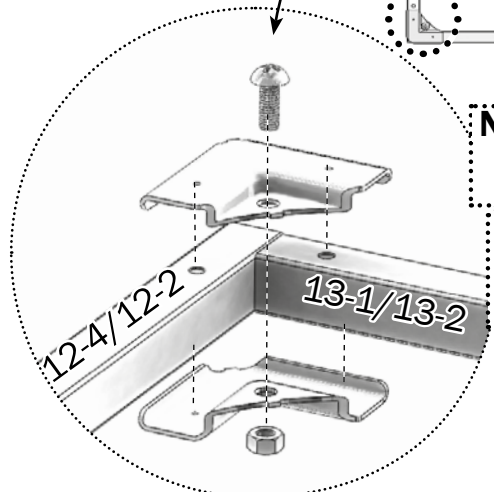
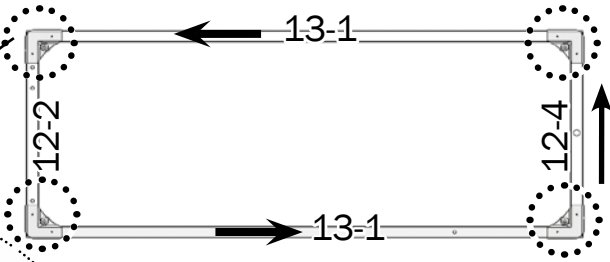
9.2



x2

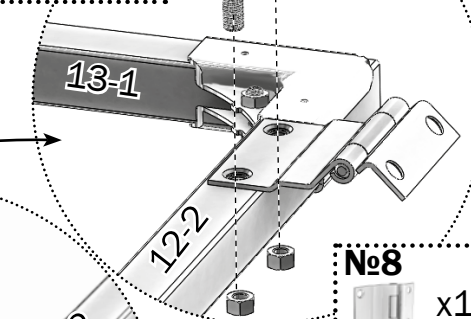
10.1

- №3 12-2 x1
- №3 13-1 x2
- №3 12-4 x1



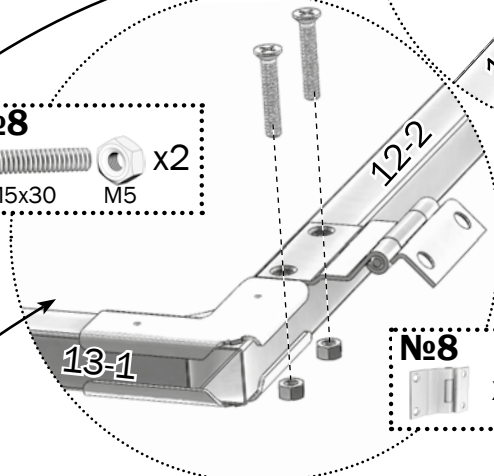
- №8 x2
- №8 M6x16 M6 x1

- №8 M5x30 M5 x2



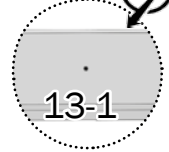
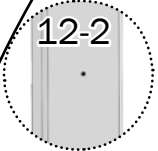
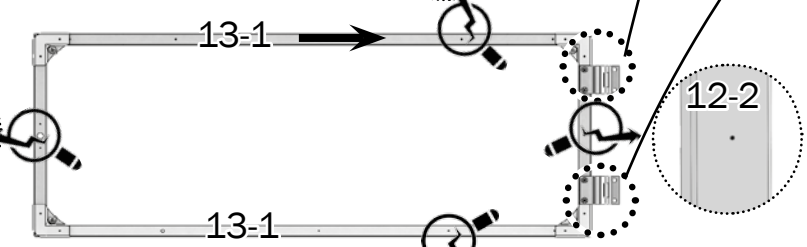
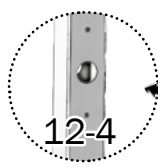
- №8 x1

- №8 M5x30 M5 x2



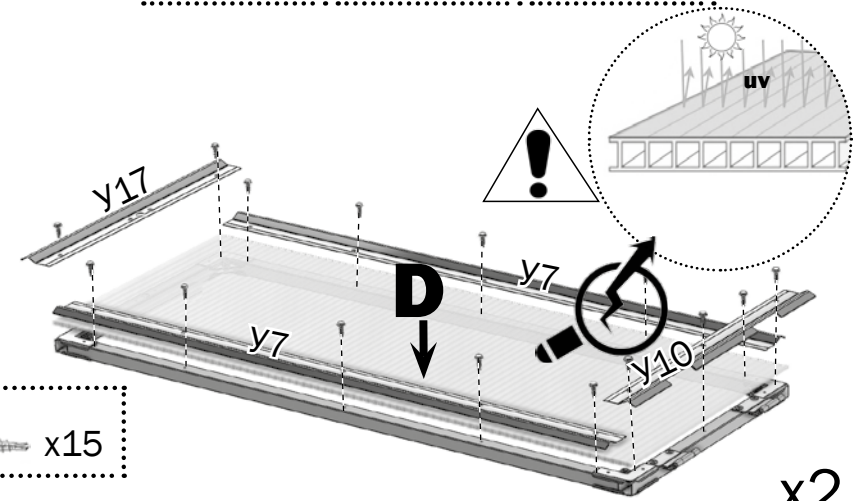
- №8 x1

10.2



10.3

- №7 y7 x2
- №7 y10 x1
- №7 y17 x1

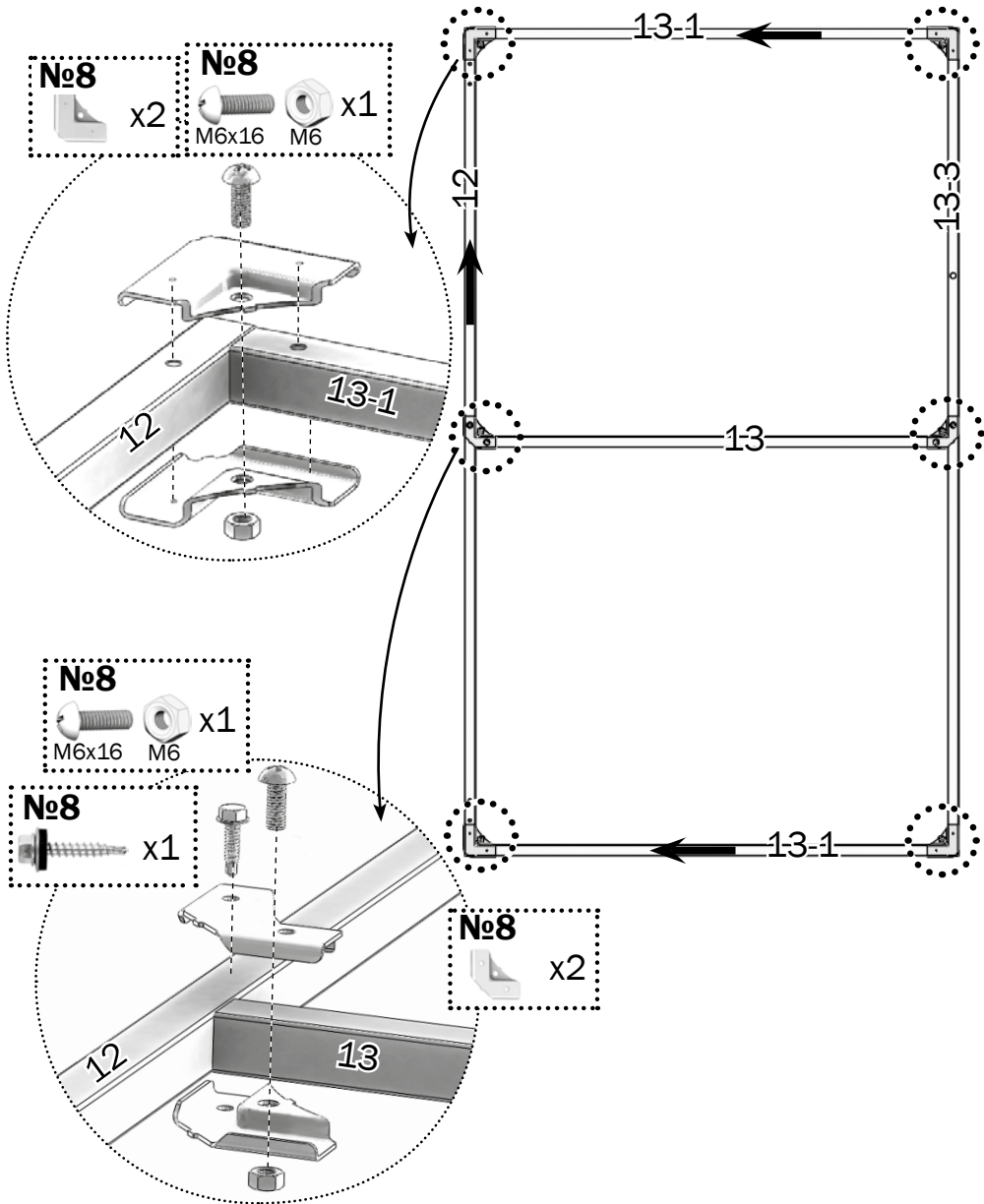


- №8 x15

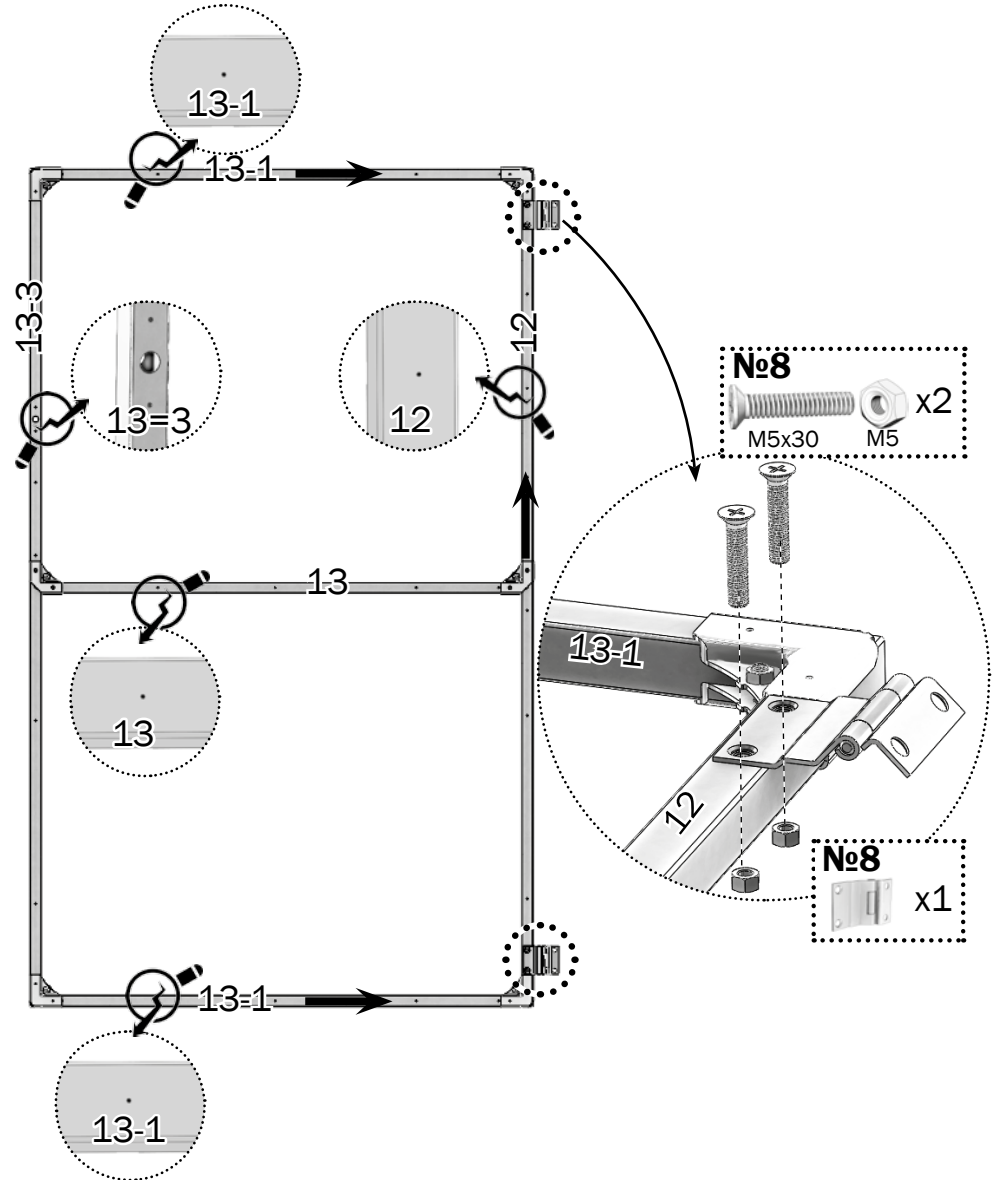
x2

11.1

- №3 13-3 x1
- №3 12 x1
- №3 13 x1
- №3 13-1 x2



11.2



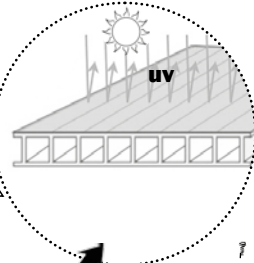
11.3

№7 y1 x1

№7 y2 x1

№7 y9 x1

№7 y8 x1



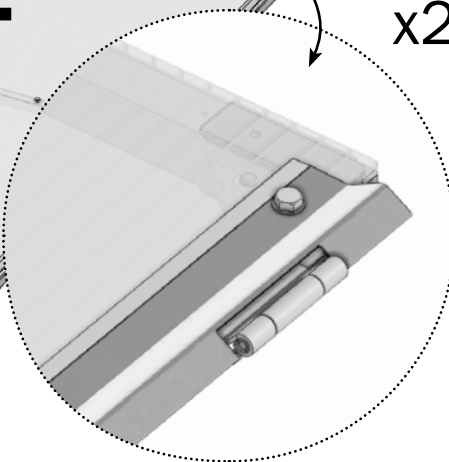
E

№8
x27

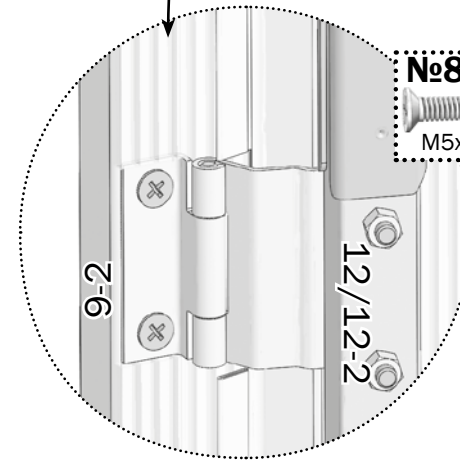
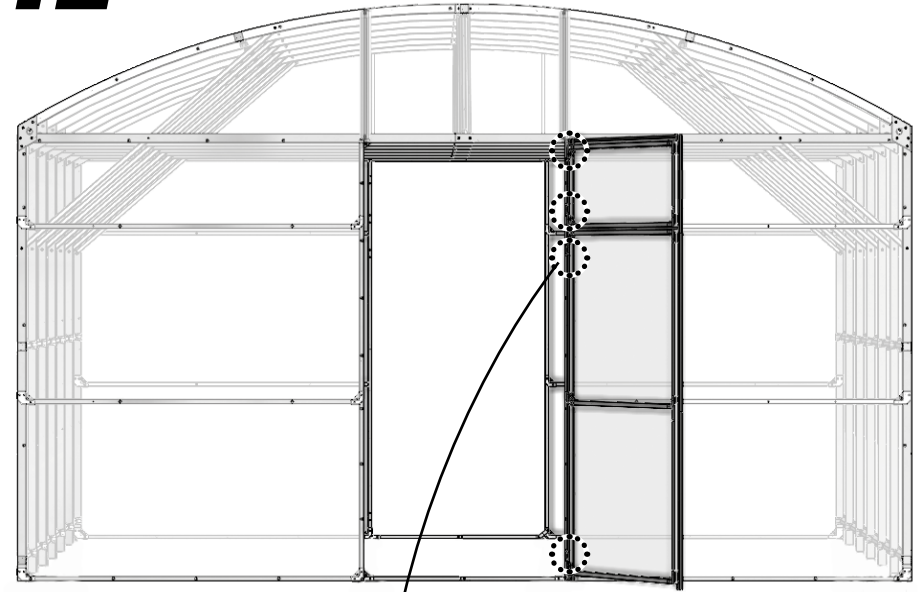


E

x2



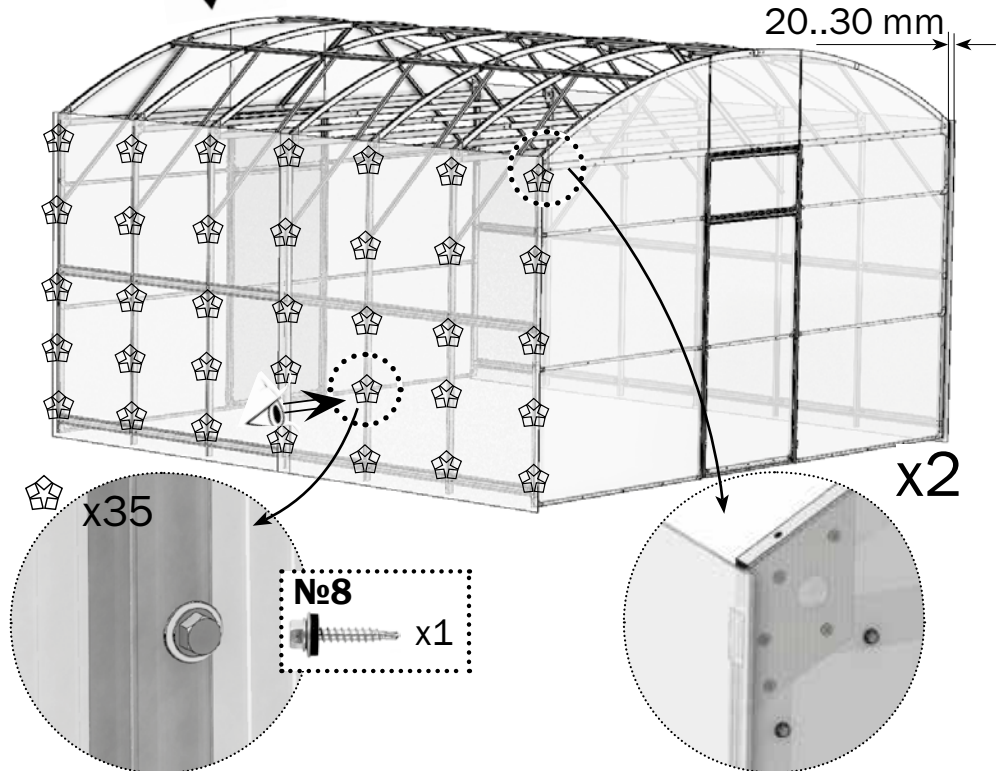
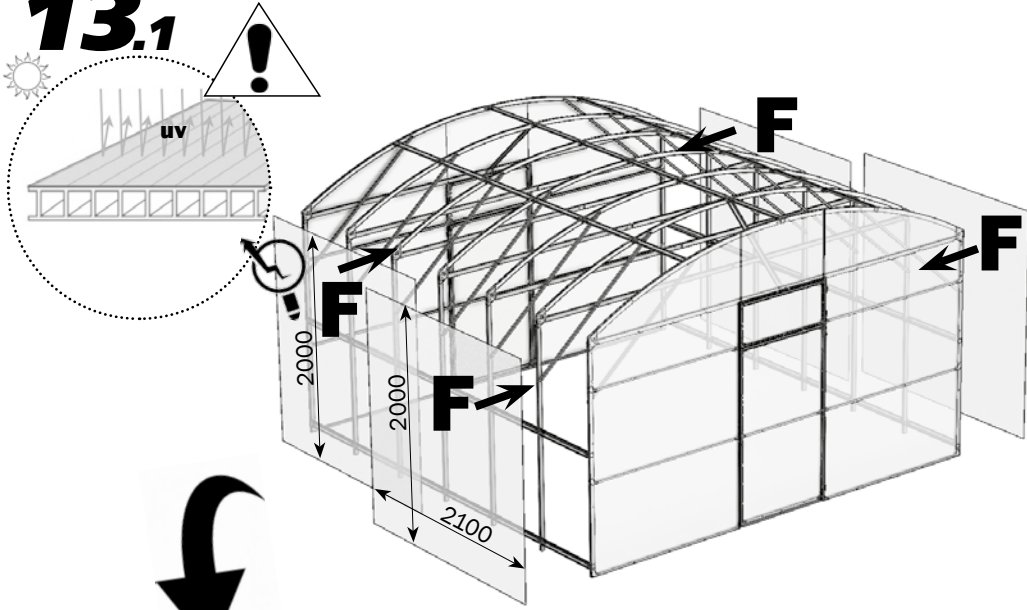
12



№8
M5x30 M5 x2

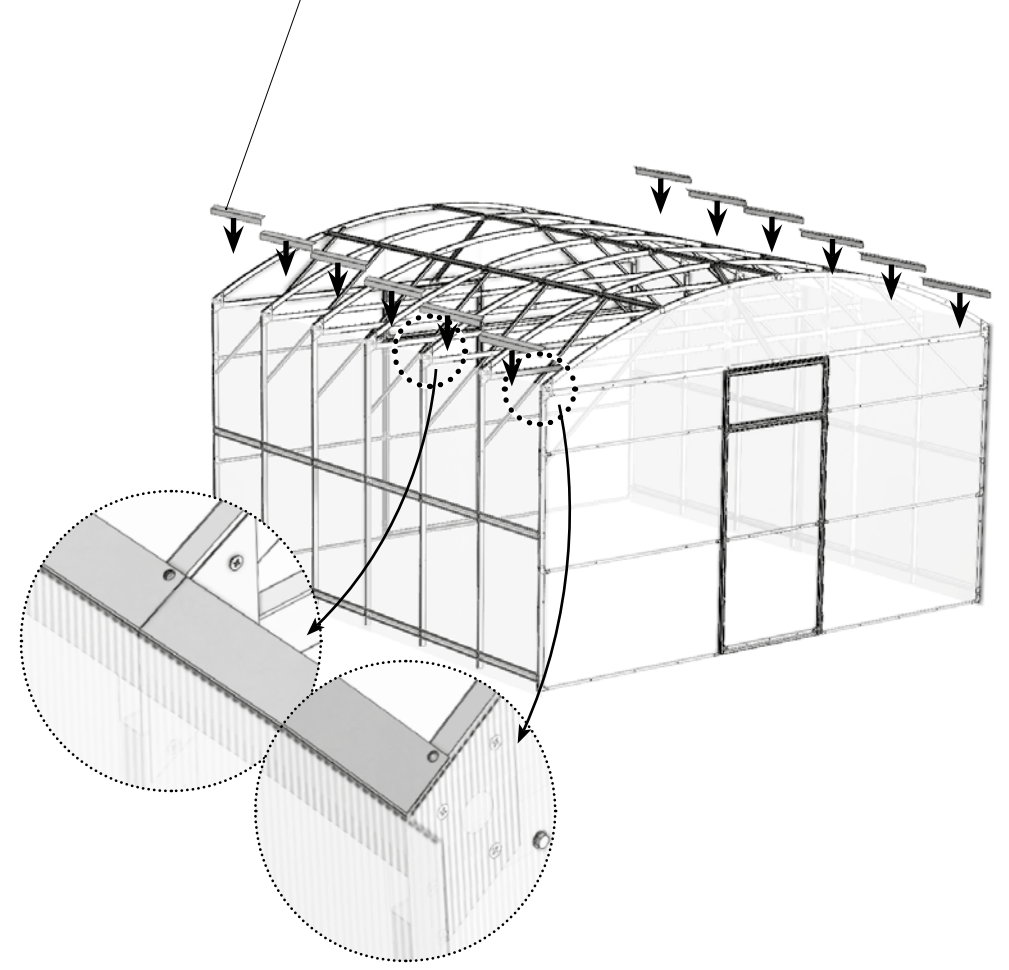
x2

13.1

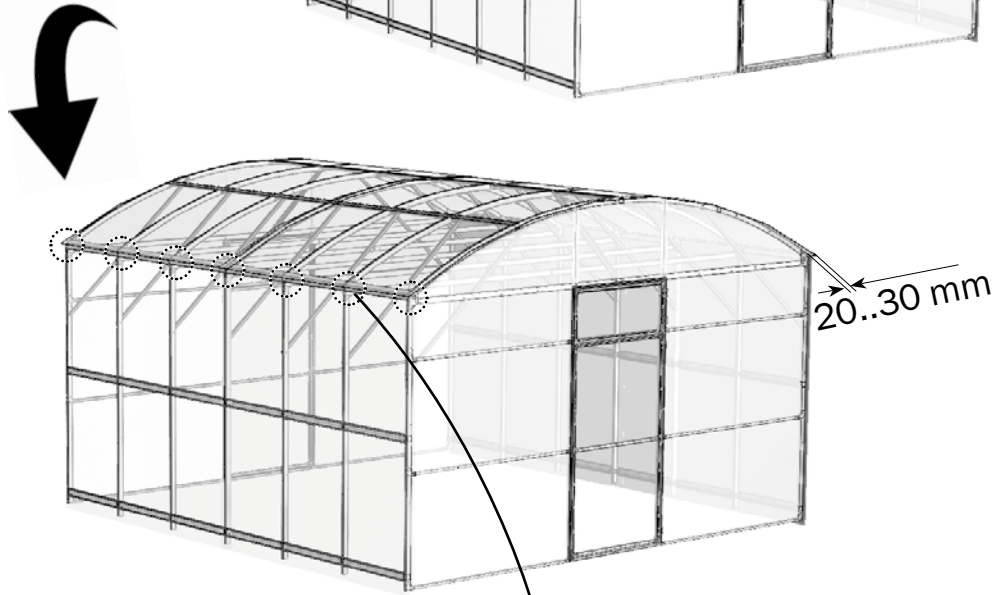
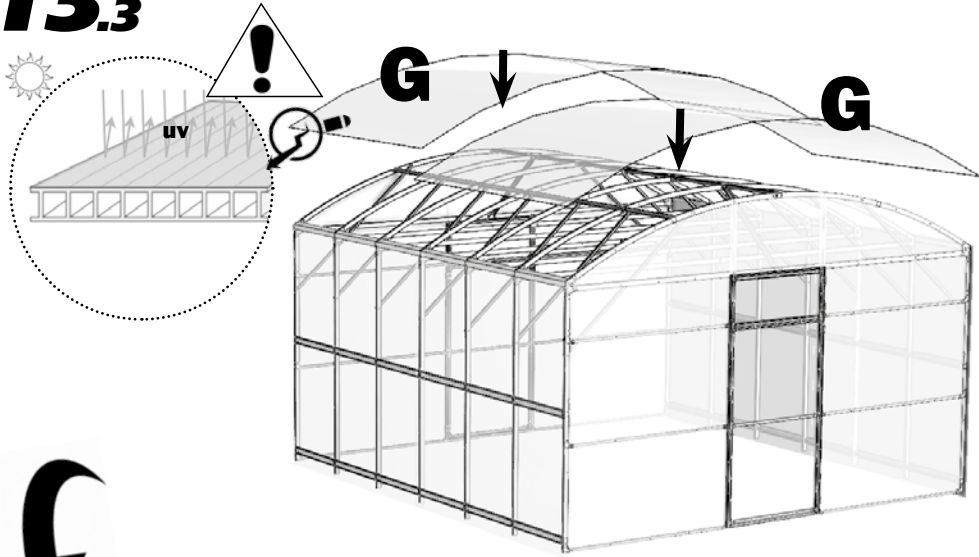


13.2

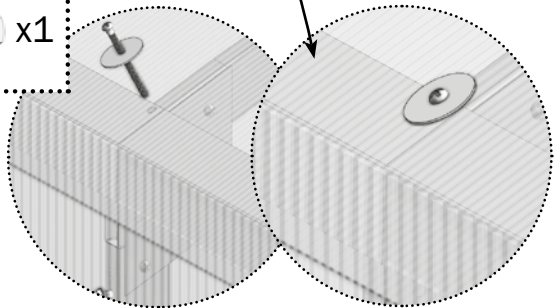
No7 x12



13.3



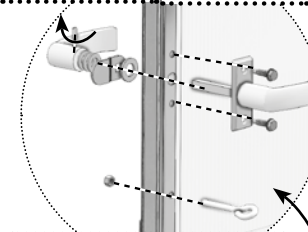
- No8** M5x60 x1
- No8** 32x5 x1
- No8** M5 x1



x2

14

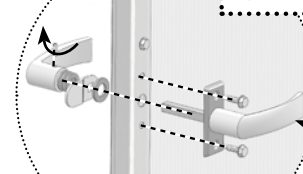
- No8** x1
- No8** 10 x4
- No8** x1



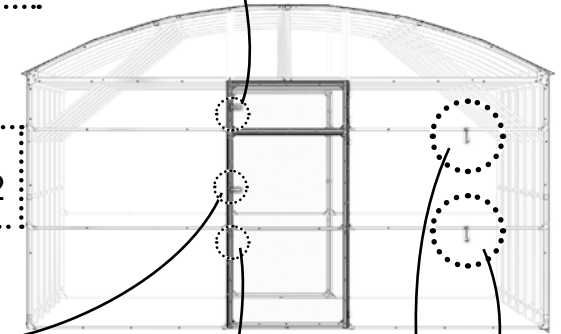
- No8** x2

- No8** M5 x1
- No8** x1

- No6** x1
- No8** x2

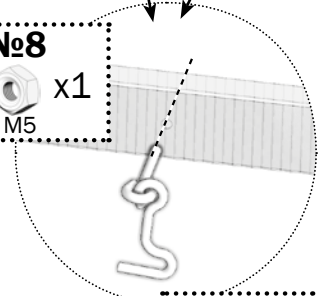


- No6** x1
- No6** 10 x4



x2

- No8** M5 x1



- No8** x1

- No8** M5 x1

- No8** x1

