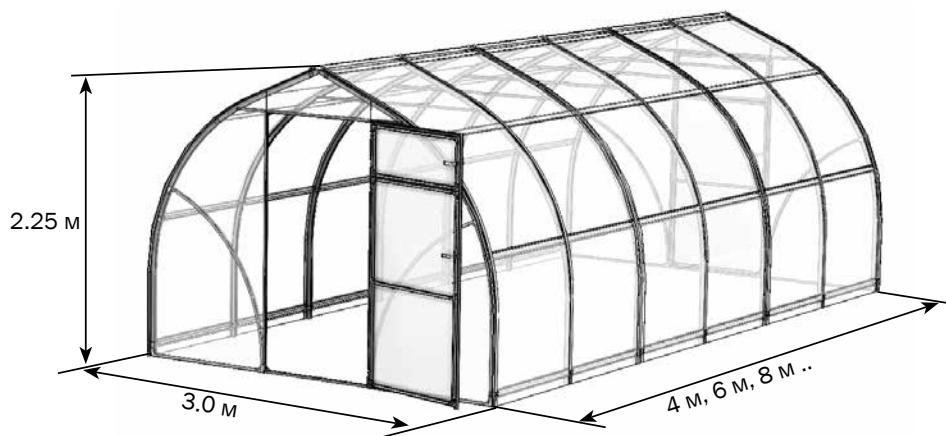
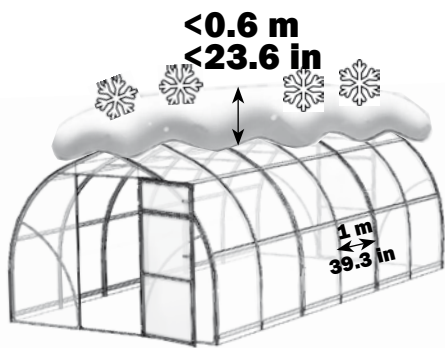
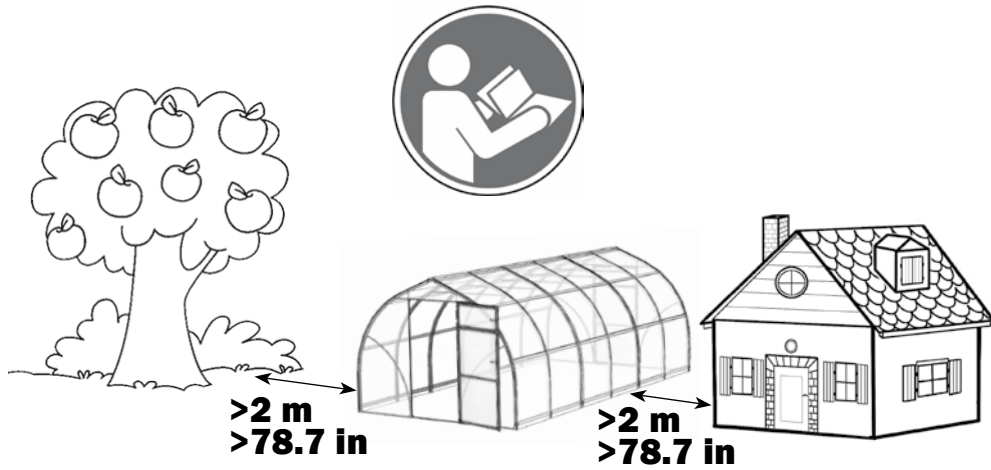


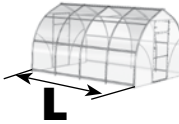
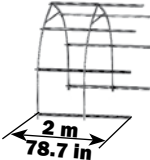
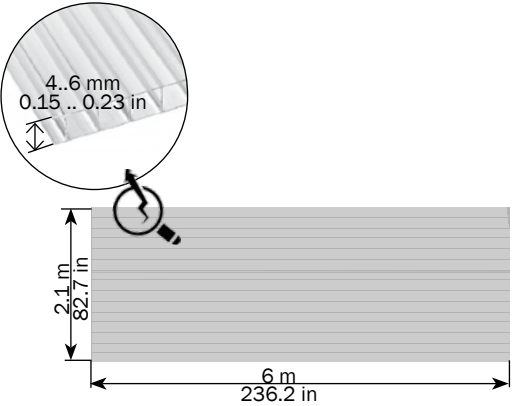
GAMMA-3

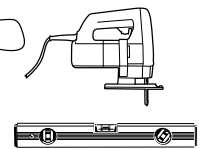
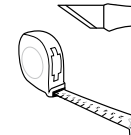
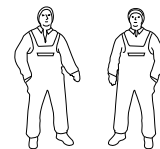




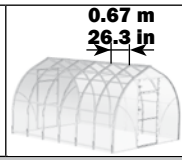
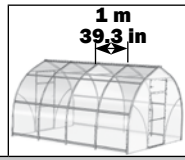
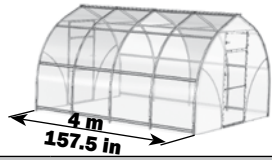
24x



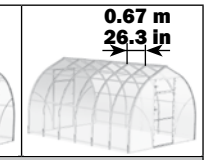
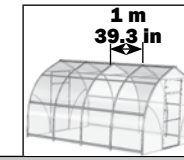
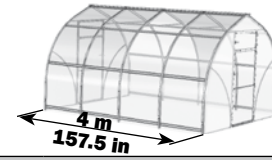
		
L		
4 m 157.5 in	0	x 3
6 m 236.2 in	x 1	x 4
8 m 315 in	x 2	x 5
10 m 393.7 in	x 3	x 6
12 m 472.4 in	x 4	x 7
14 m 551.1 in	x 5	x 8
16 m 630 in	x 6	x 9
18 m 708.6 in	x 7	x 10
20 m 787.4 in	x 8	x 11



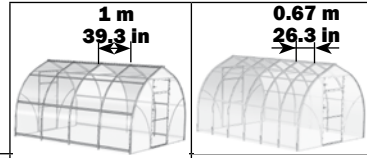
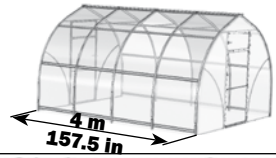
		No1 1 m	No1 0.67m	No2	No3	No4	No5 1 m	No5 0.67m	No6	No7 1 m	No7 0.67m	No8	No9 1 m	No9 0.67m	No10 1 m	No10 0.67m	No11*	No12* 1m	No12* 0.67m	No13* 1m	No13* 0.67m	
		++		+	+	+	+		++	+							+	+				
		+							+		+	+			+					+		
			++	+	+	+		+	++		+	+					+		+			
			+			+			+					+	+							+



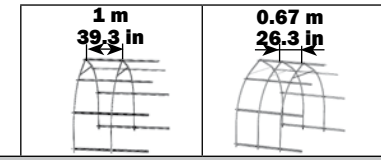
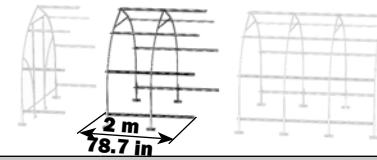
№ 1					
1	2		0.98 m	x 16	-
			0.65 m	-	x 24
№ 2					
2	8-2		1.484 m	x 2	
3	8-1		1.480 m	x 2	
4	9-2		1.89 m	x 2	
5	9-1		1.89 m	x 2	
6	12		1.48 m	x 2	
7	12-1		1.48 m	x 2	
8	12-2		0.36 m	x 2	
9	12-3		0.36 m	x 2	
10	13-1		0.85 m	x 6	
11	13		0.85 m	x 2	
12	13-2		0.85 m	x 2	
№ 3					
13	4-2		2.7 m	x 2	
14	4-1		2.7 m	x 2	
15	4T		1.51 m	x 4	
№ 4					
16	4		2.7 m	x 6	



№ 5					
17	5		1.44 m	x 3	x 5
18	5T		1.44 m	x 2	
№ 6					
19	-		1.14 m	x 2	
№ 7					
20	-			x 24	x 40
21	-			x 24	x 40
22	-			x 16	
23	-			x 12	
24	-			x 12	
25	-			x 4	
26	-			x 5	x 7
27	-			x 16	
28	-			x 32	
29	-			x 5	x 7
30	-			x 10	x 14
31	-			x 4	
32	-			x 8	
33	-			x 4	
34	-			x 4	
35	-			x 1	

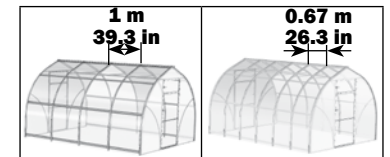
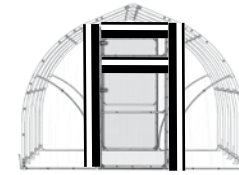


		0 inch 0 cm	1	2			
36	M4x12					x 64	x 96
37	M5x14					x10	
38	M6x16					x 32	
39	M4x35					x 32	-
40	M5x45					x 6	x 10
41	M5x30					x 38	
42	4.8x19					x 304	x 334
43	M6x60					x 10	x 14
44	M4					x 96	
45	M5					x 62	x 66
46	M6					x 42	x 46
47	6					x 20	x 28
48	10					x 16	
49	32x4					x 32	-

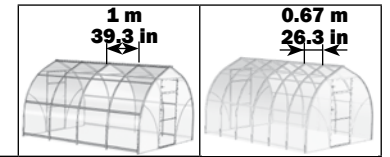
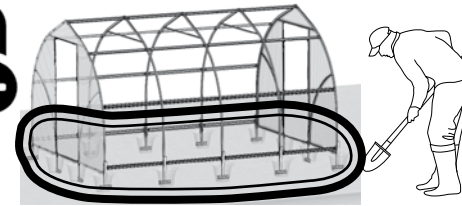


Nº 8				
50	4		2.7 m	x 4
Nº 9				
51	5		1.44 m	x 2 x 3
Nº 10				
52				x 16 x 24
53				x 16 x 24
54				x 2 x 3
55				x 2 x 3
56				x 4 x 6
57				x 1
		0 inch 0 cm	1	2
58	M4x12			x 32 x 48
59	M5x14			x 4 x 4
60	M4x35			x 16 -
61	M5x45			x 4 x 6
62	4.8x19			x 32 x 42
63	M6x60			x 4 x 6

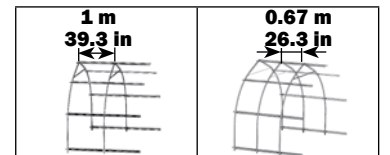
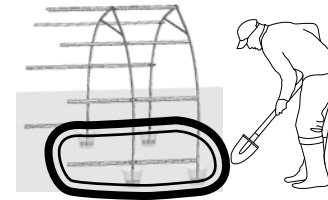
64	M4		x 48
65	M5		x 8 x 10
66	M6		x 4 x 6
67	6		x 8 x 12
68	32x4		x 16 -



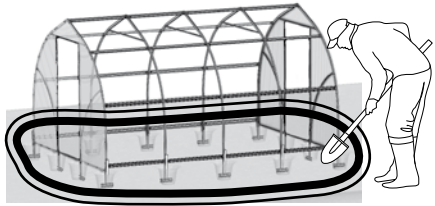
№ 11*					
1	Y1		0.75 m	x 2	
2	Y2		0.75 m	x 2	
3	Y8		0.75 m	x 2	
4	Y9		0.75 m	x 2	
5	Y10		0.41 m	x 2	
6	Y7		0.85 m	x 4	
7	Y12		0.41 m	x 2	



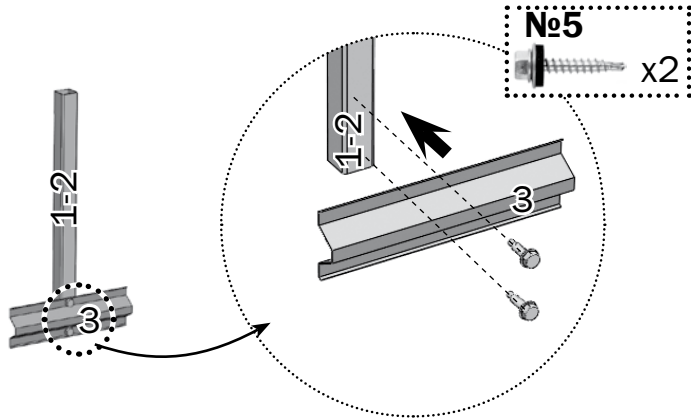
№ 12*					
1	1		0.33 m	x 10	x 14
2	1-2		0.26 m	x 4	
3	3		0.2 m	x 14	x 18



№ 13*					
1	1		0.33 m	x 4	x 6
2	3		0.2 m	x 4	x 6

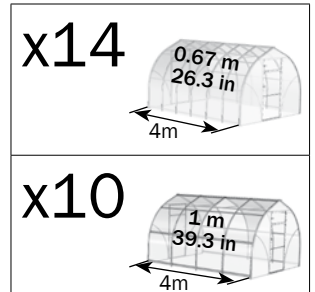
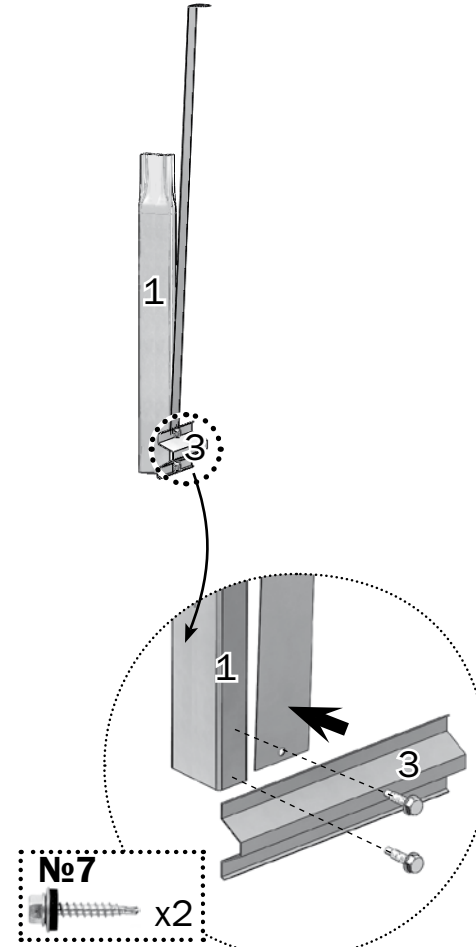


***.1** №12*
1-2 x1 №12*
3 x1



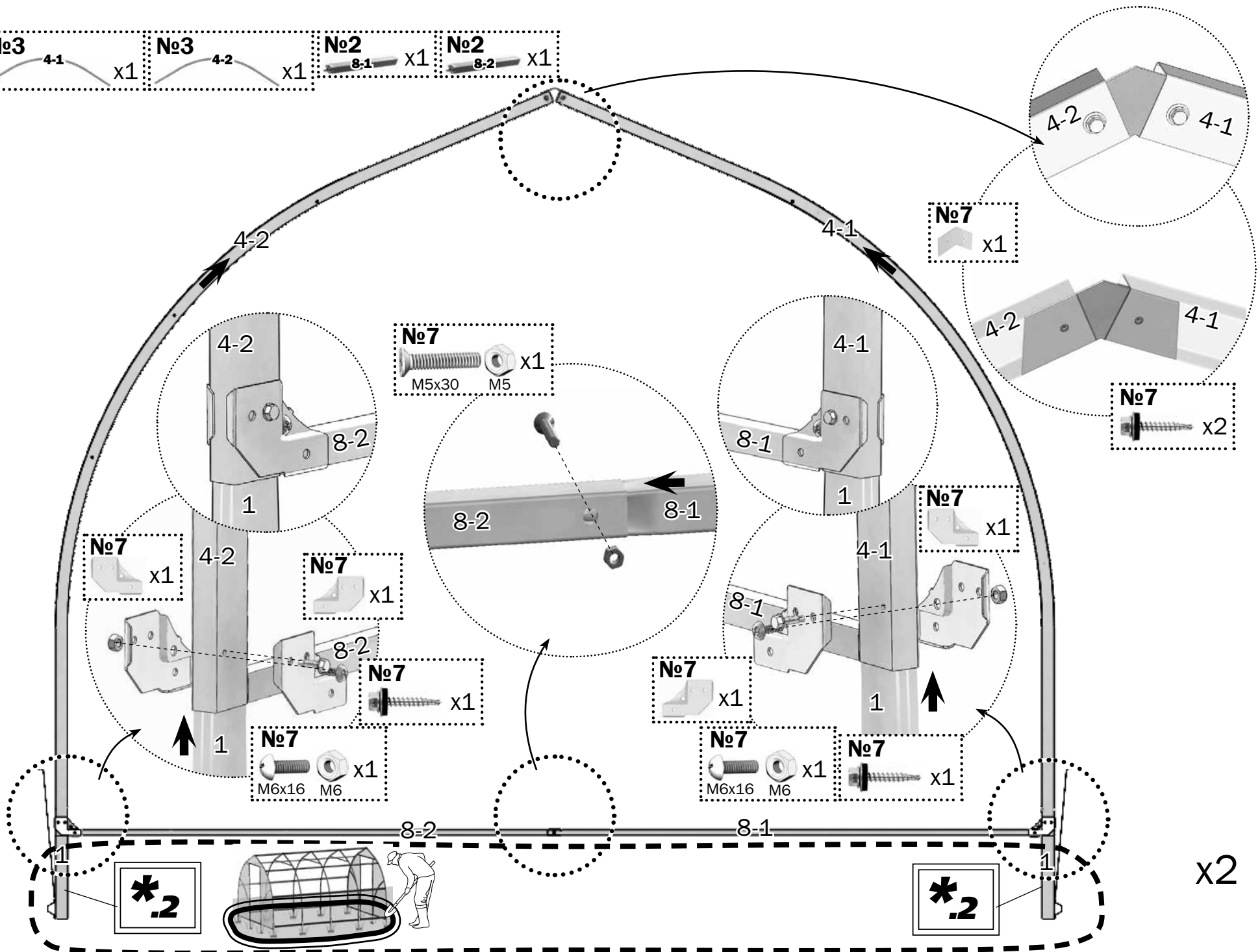
x4

***.2** №12*
1 x1 №12*
3 x1 №7
x1



1.1

- No3 4-1 x1
- No3 4-2 x1
- No2 8-1 x1
- No2 8-2 x1



x2

1.2

№5 5T x1

№2 9-2 x1

№2 9-1 x1

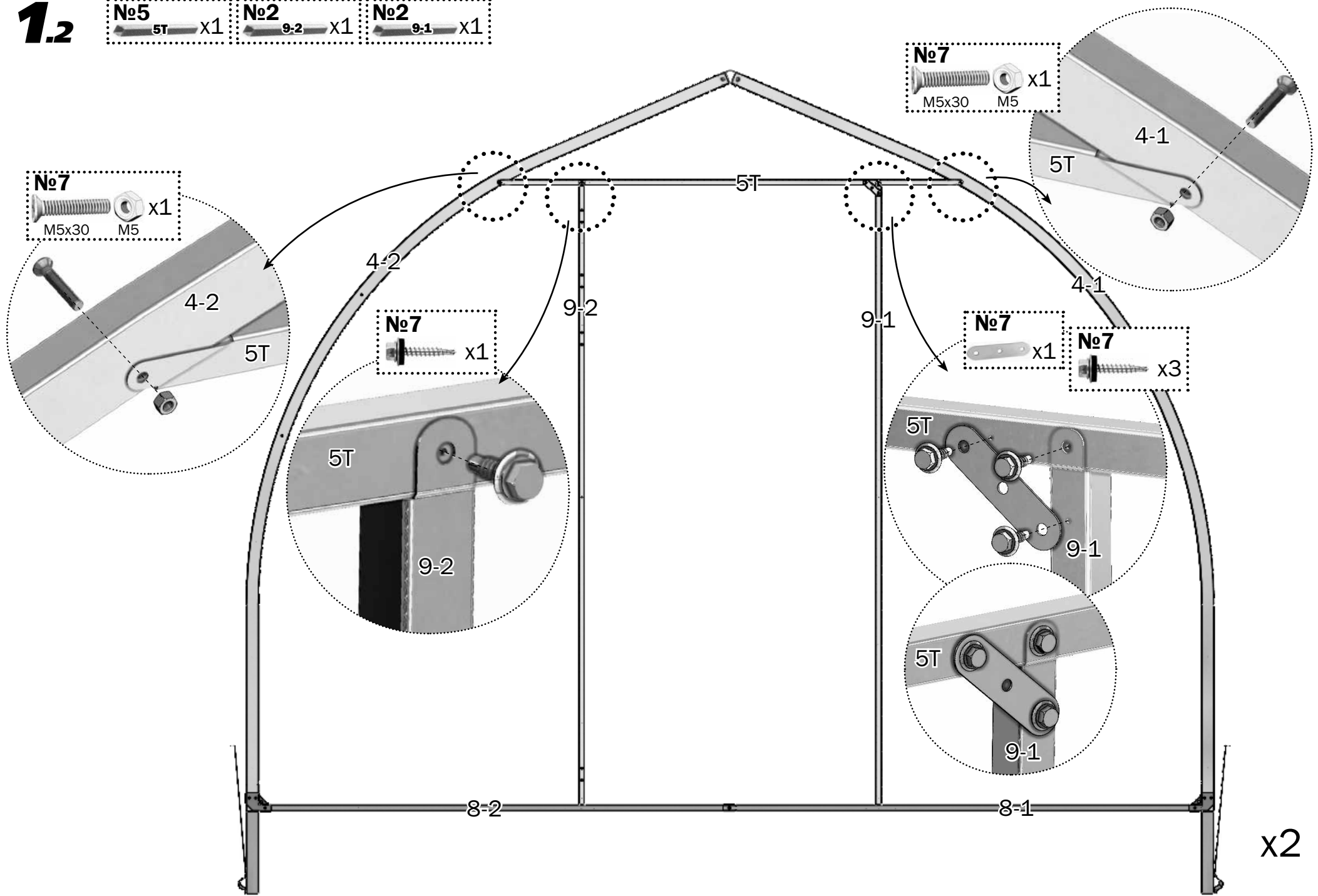
№7 M5x30 M5 x1

№7 M5x30 M5 x1

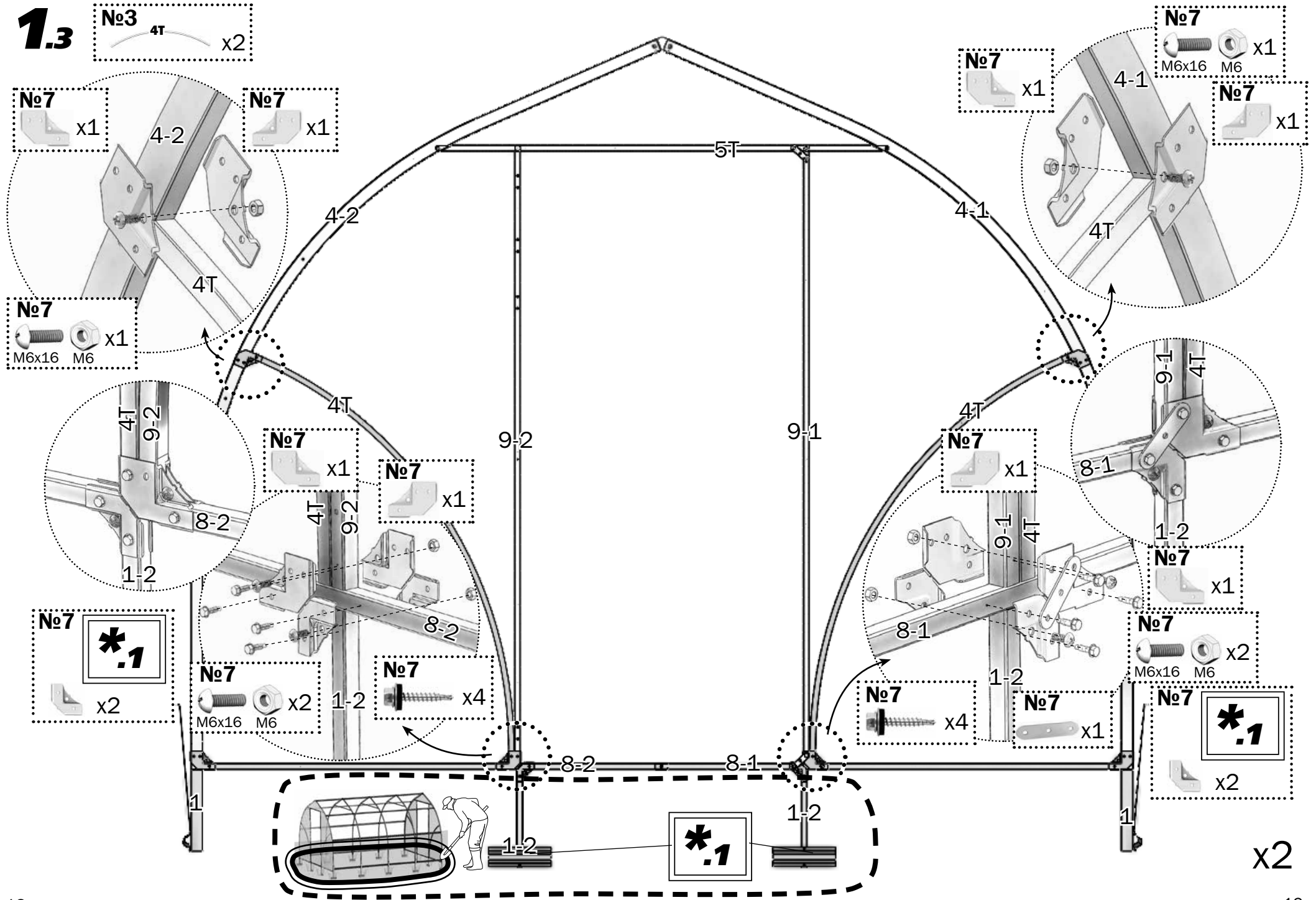
№7 x1

№7 x1

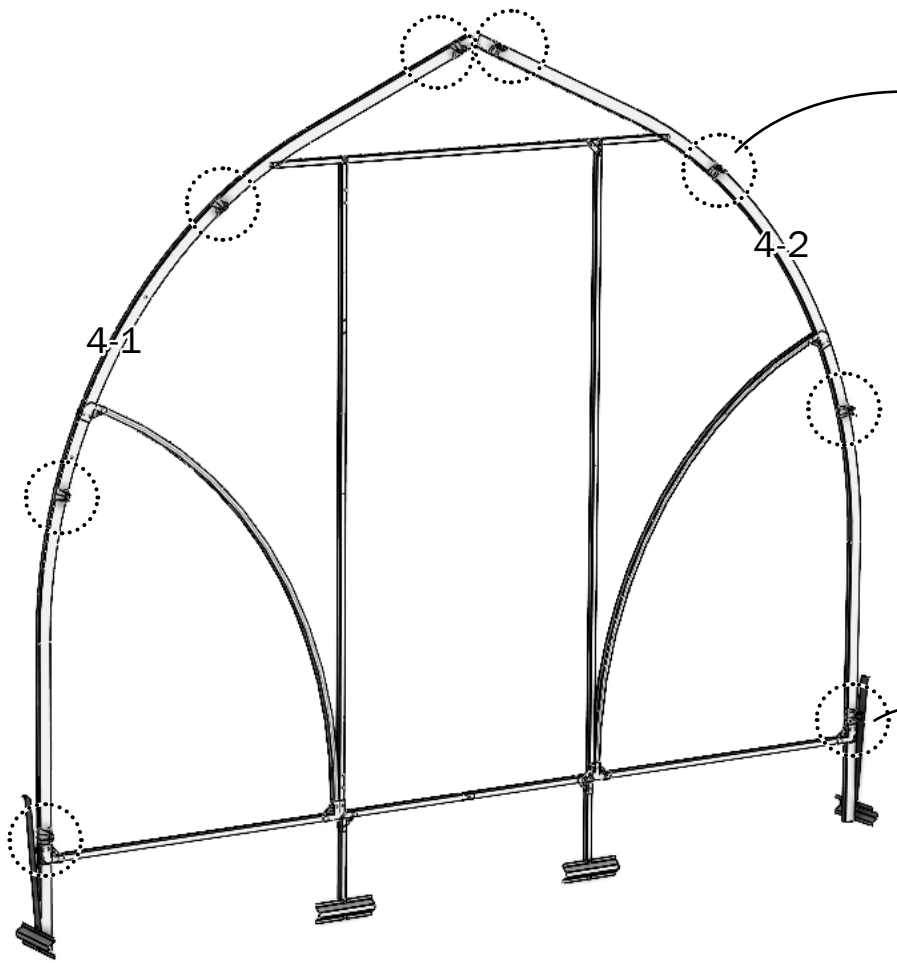
№7 x3



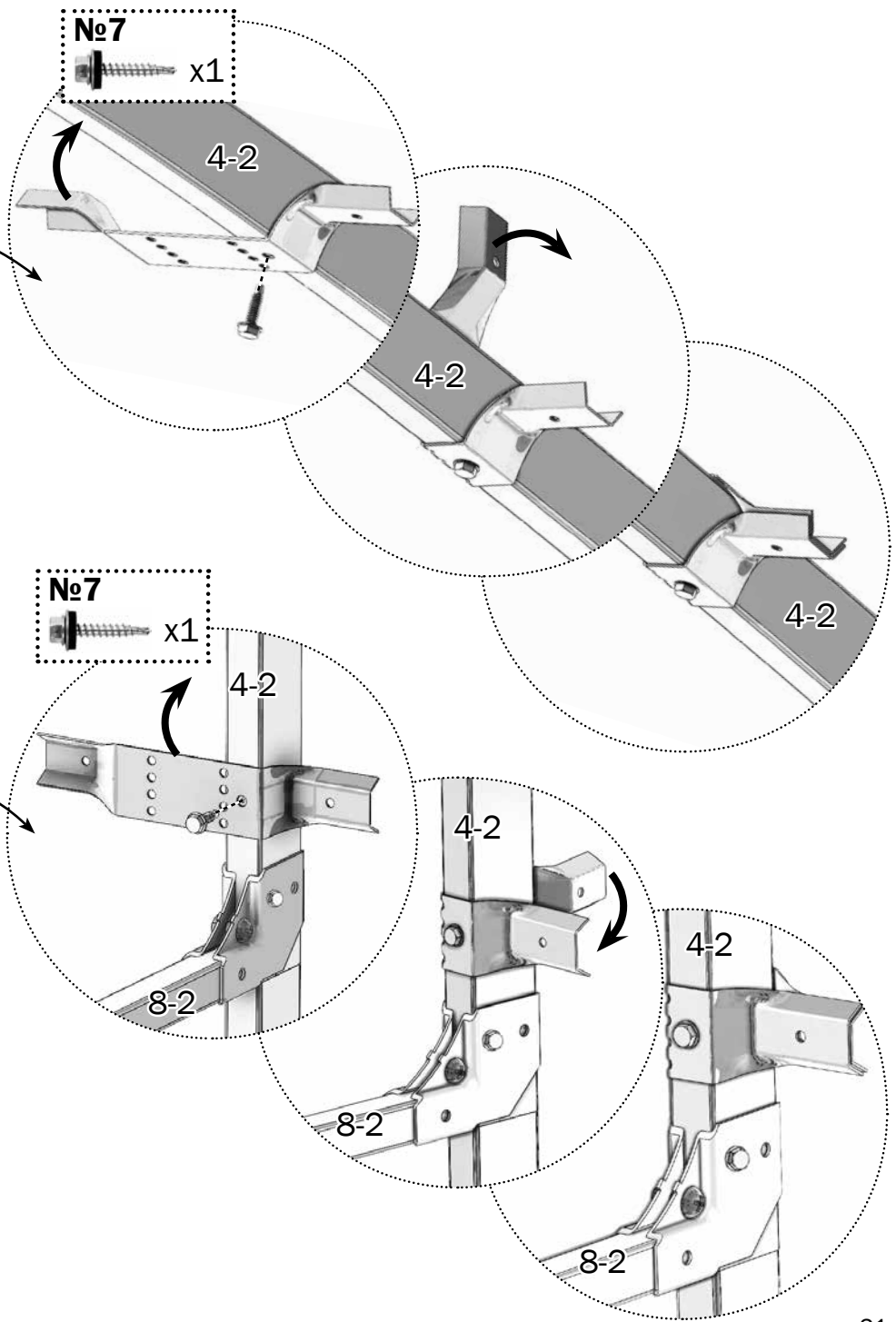
1.3



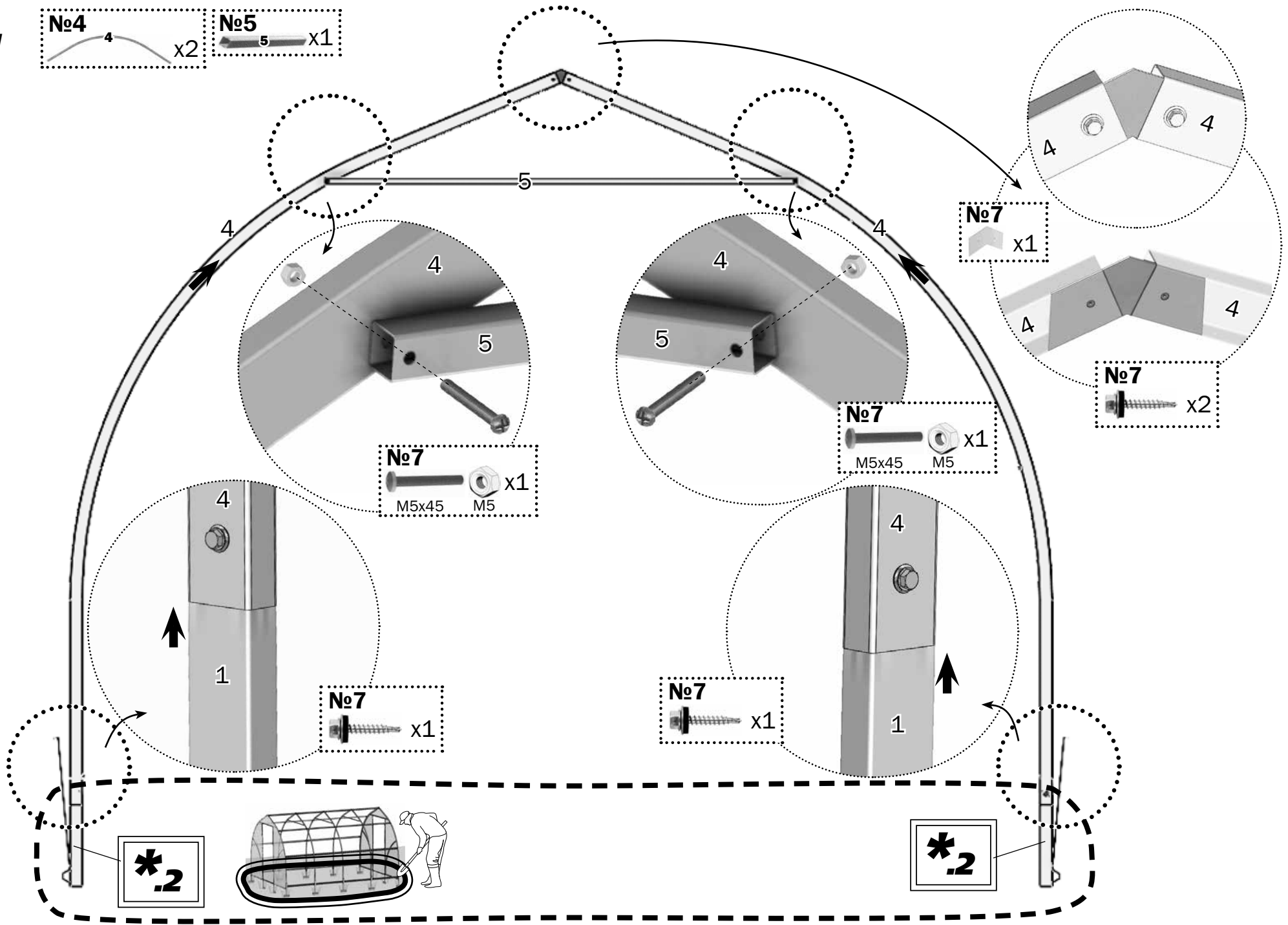
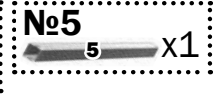
1.4



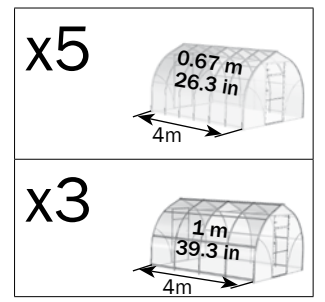
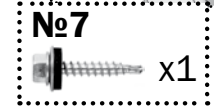
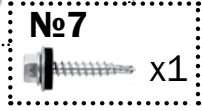
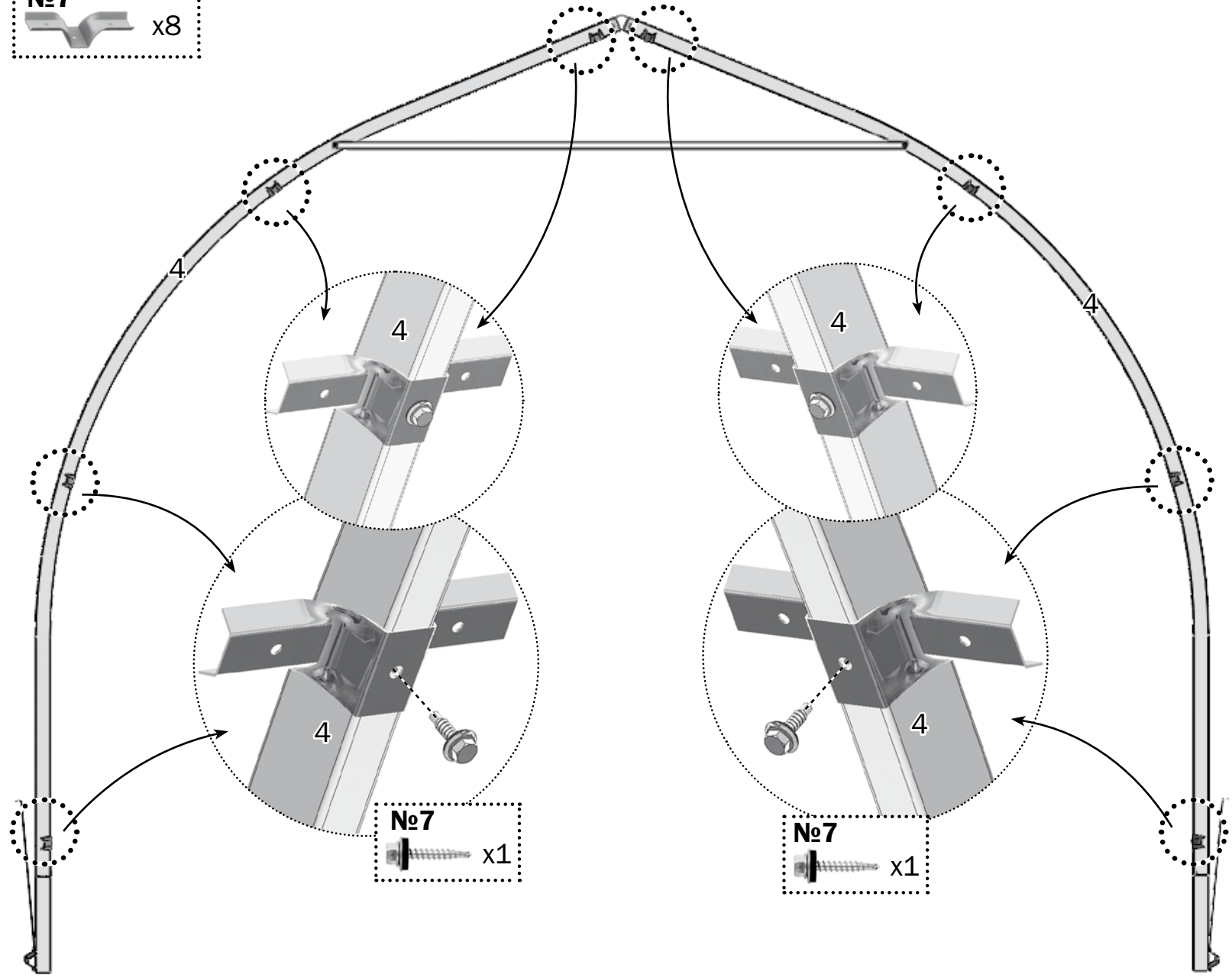
x2



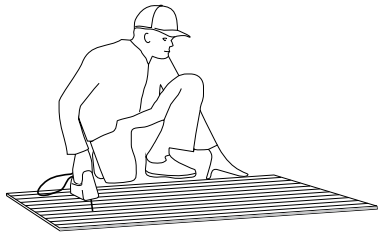
2.1




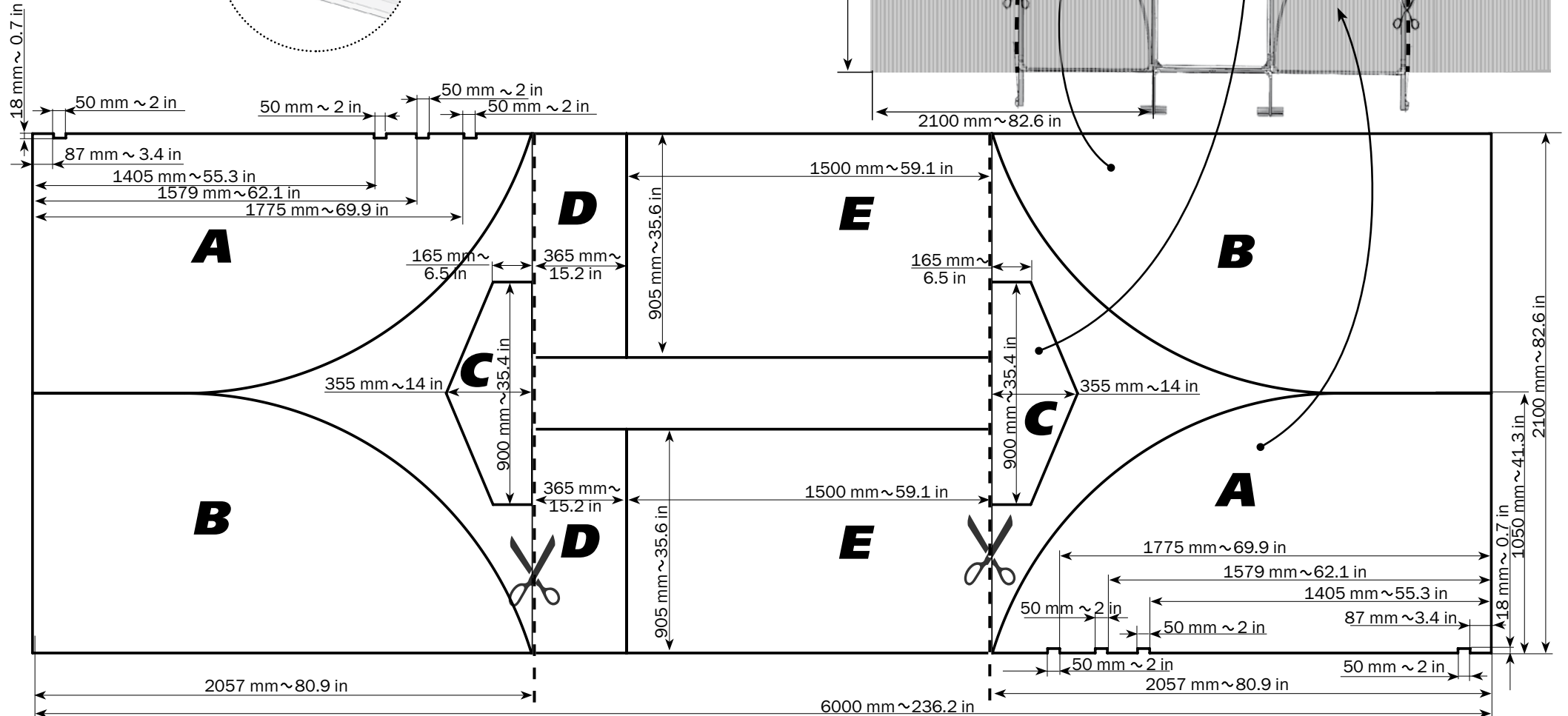
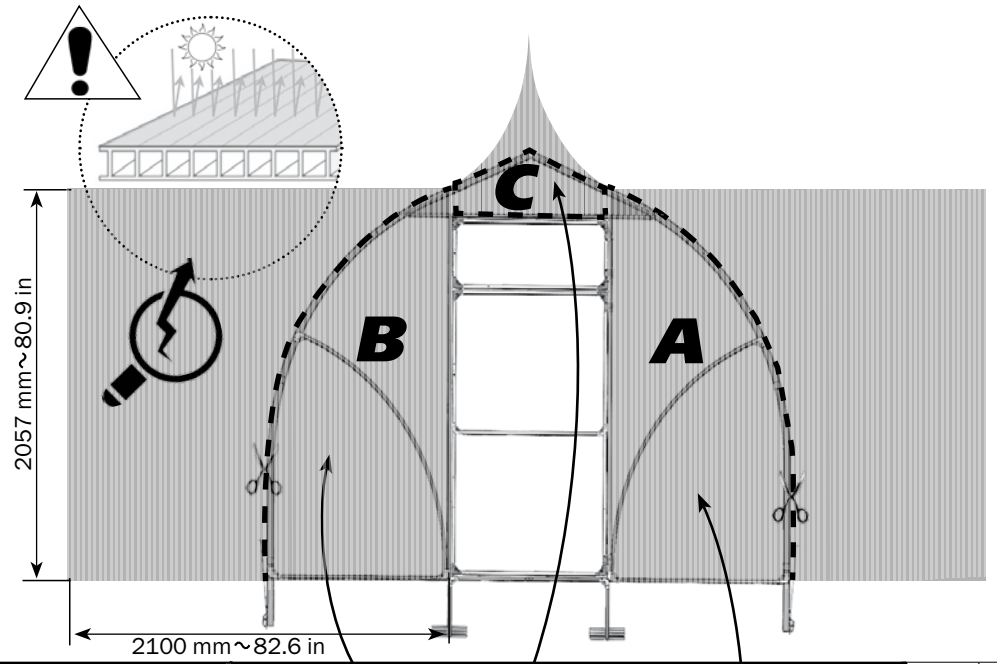
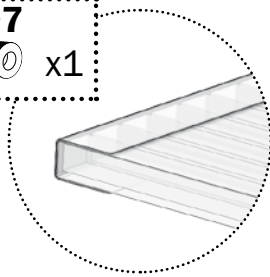
2.2



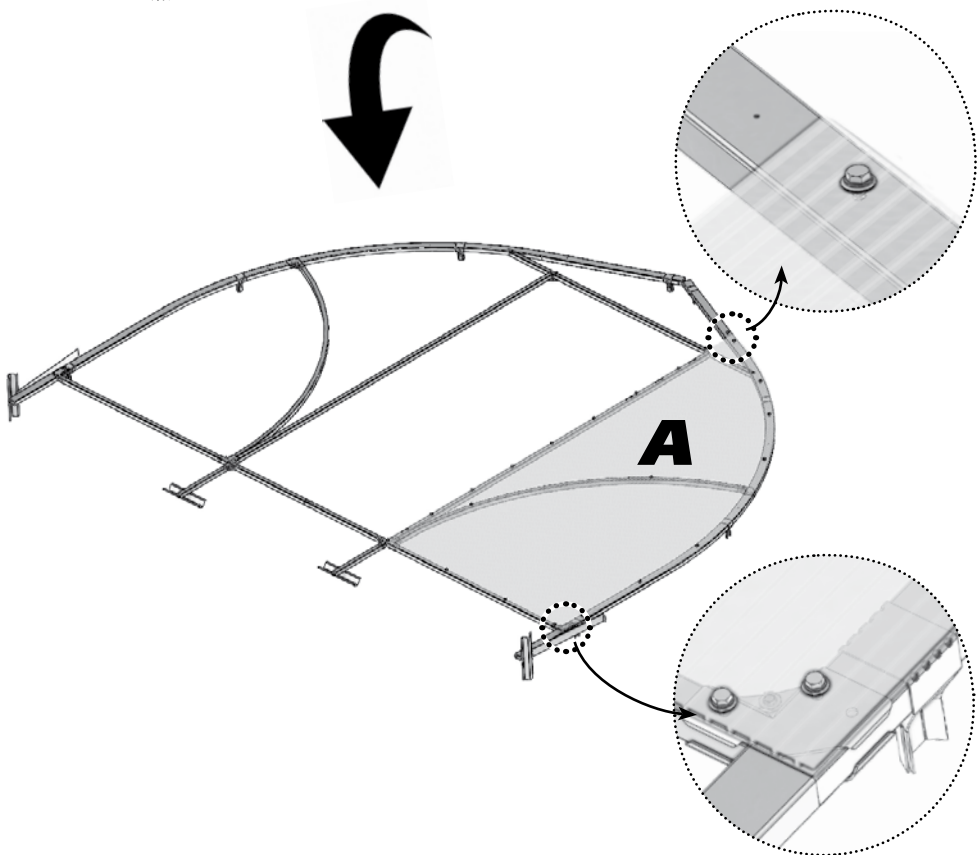
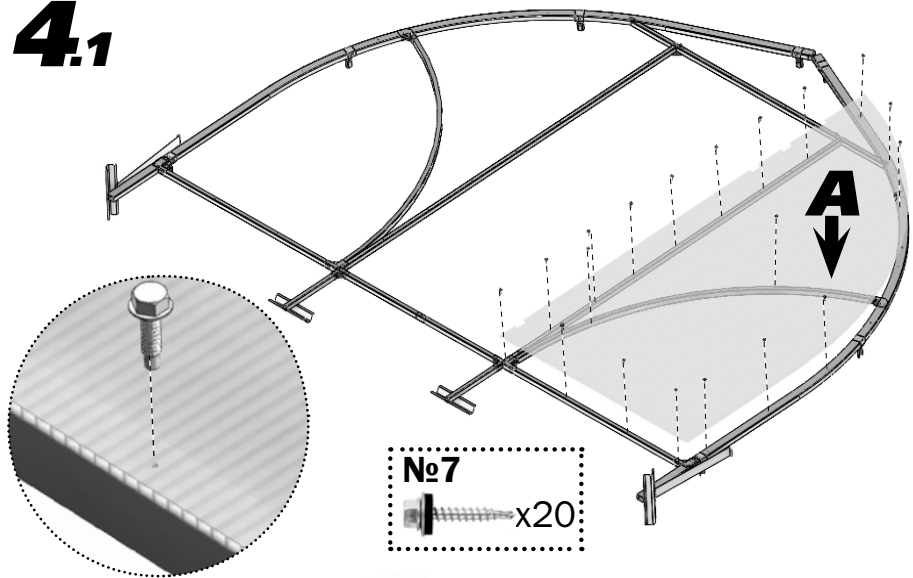
3



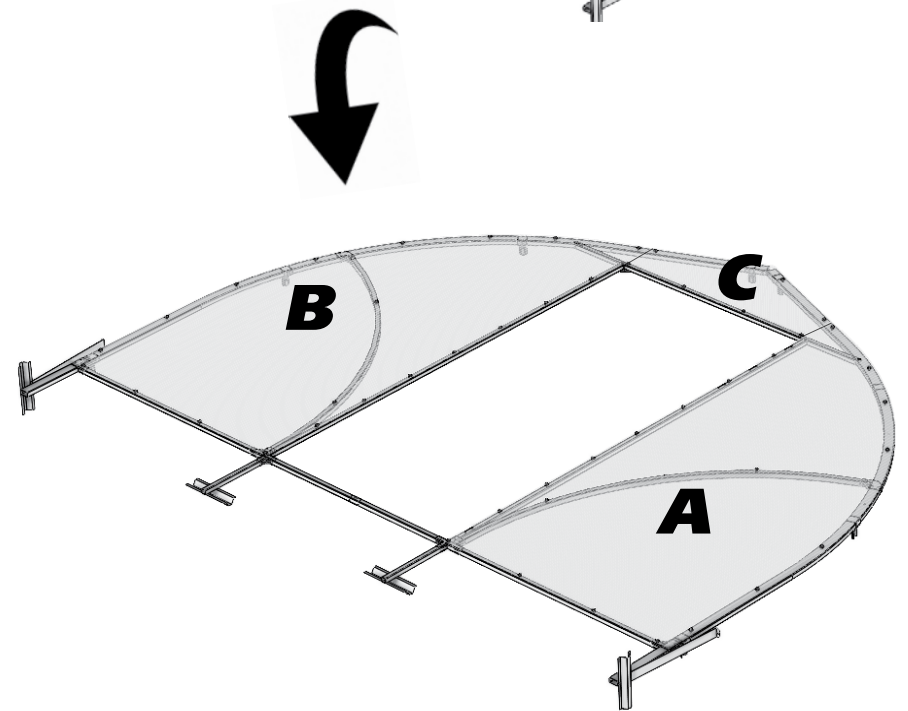
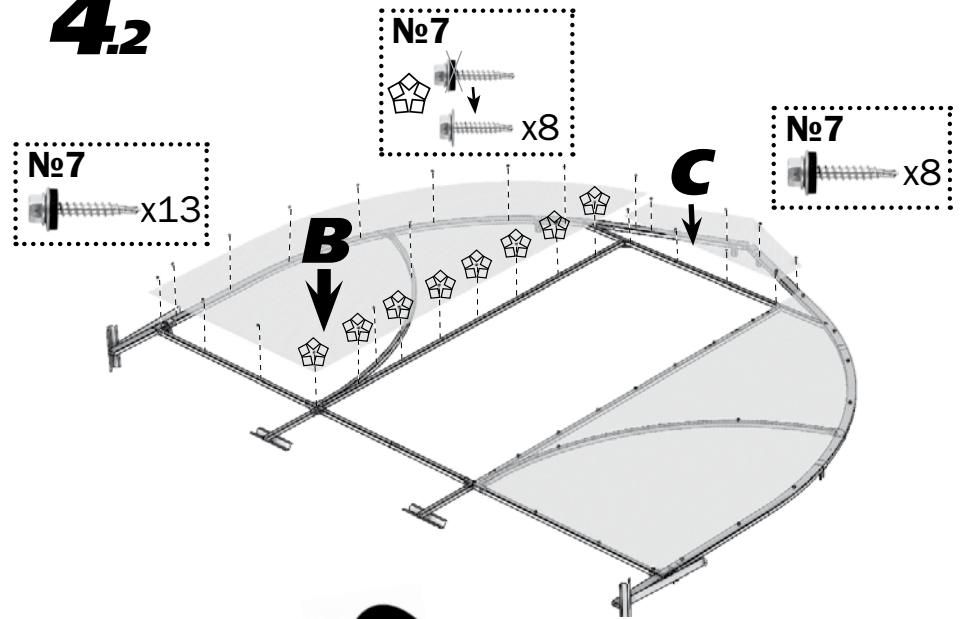
No7
 x1



4.1



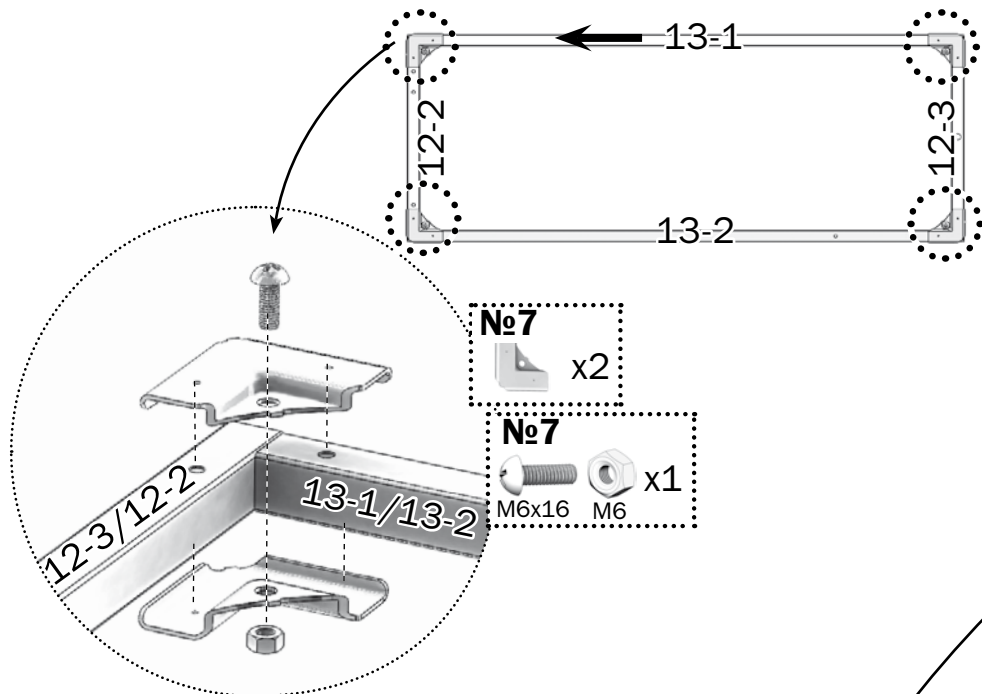
4.2



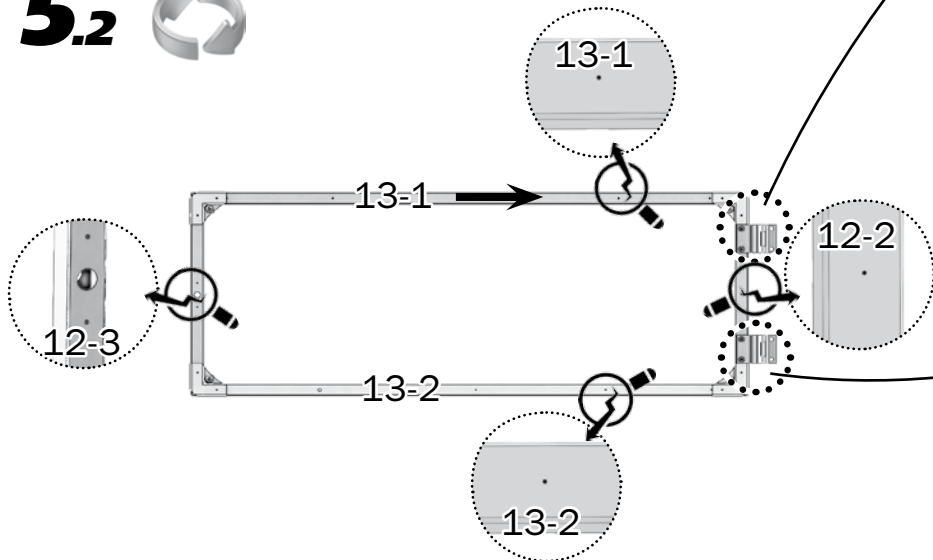
x2

5.1

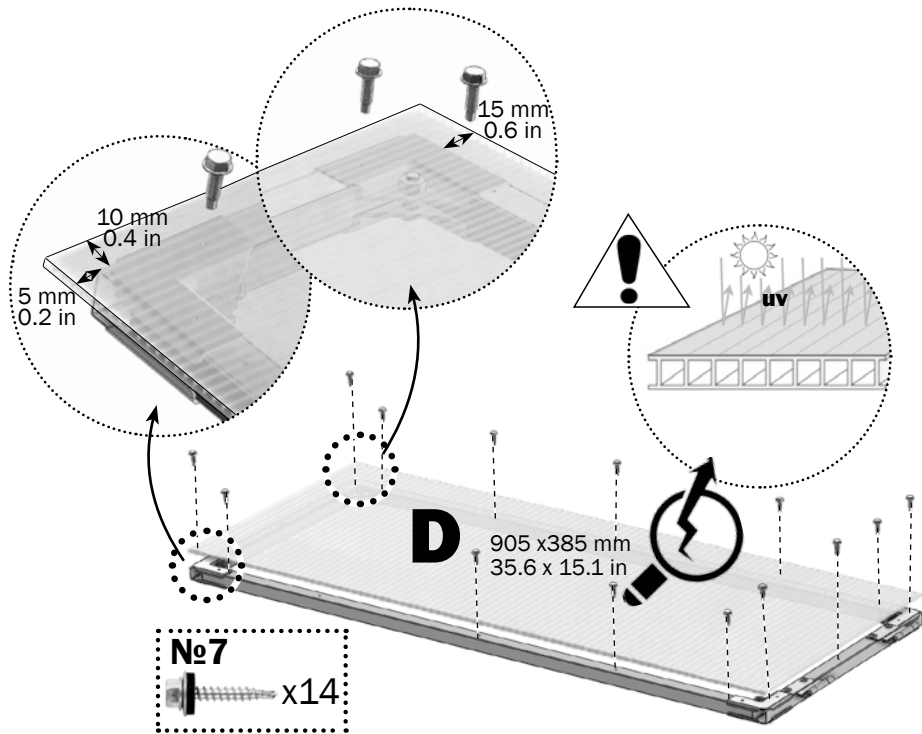
- No2 12-2 x1
- No2 13-2 x1
- No2 12-3 x1
- No2 13-1 x1



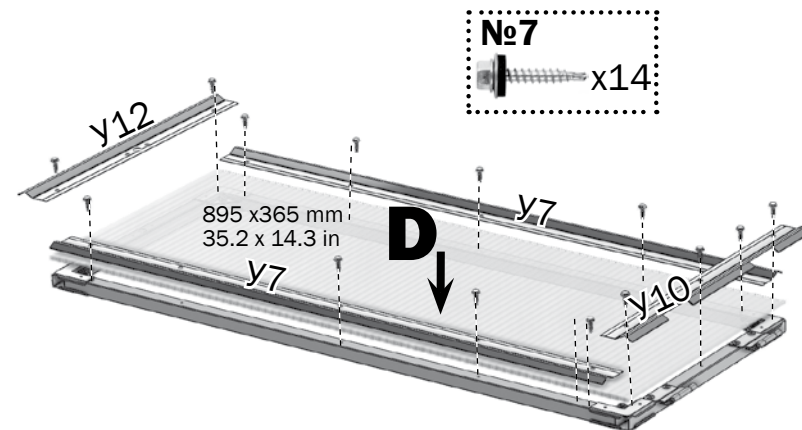
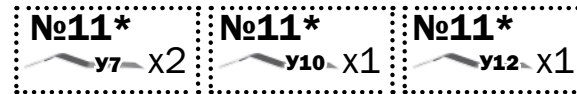
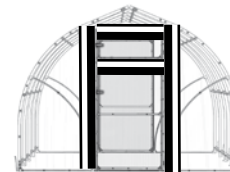
5.2



5.3



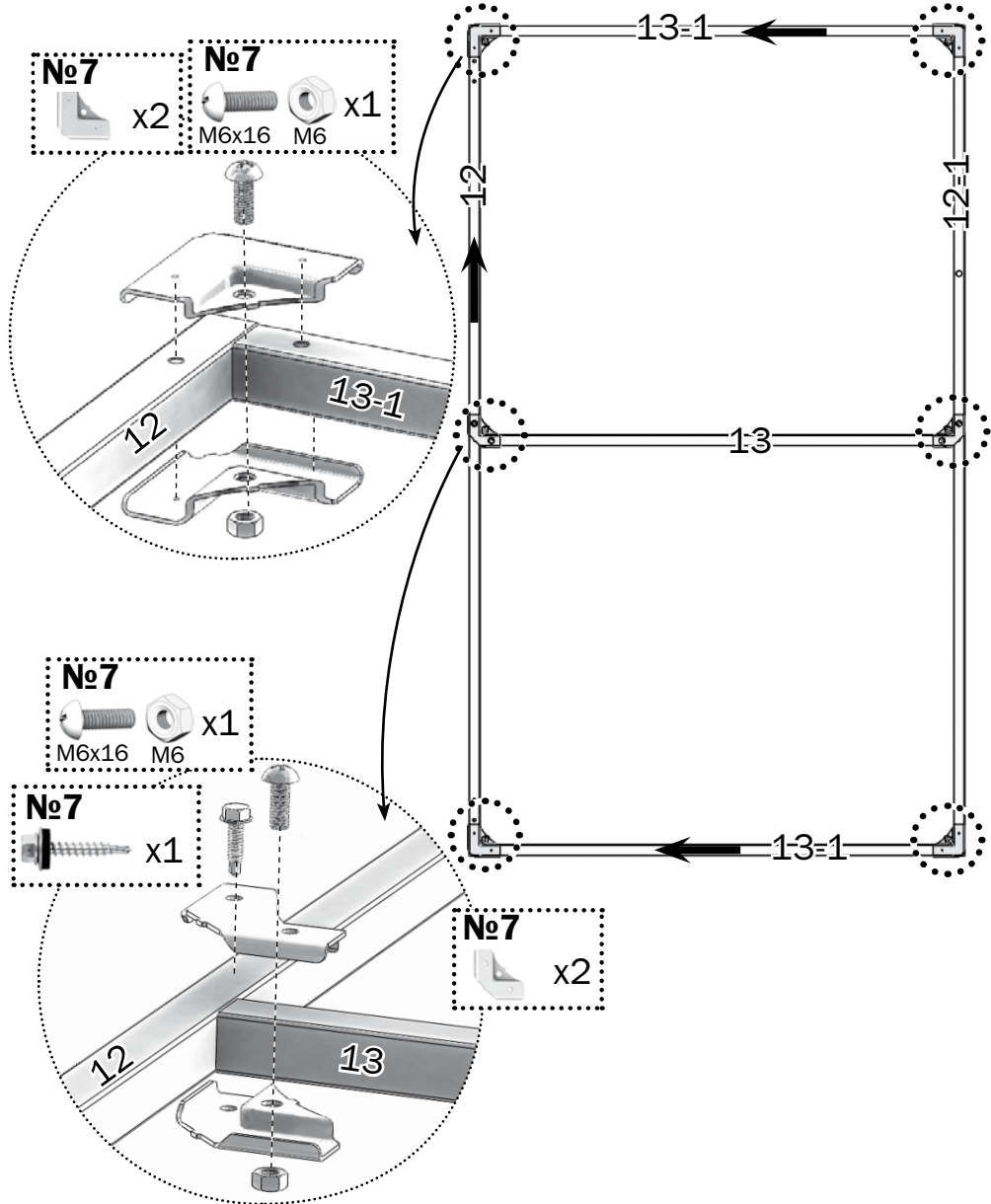
x2



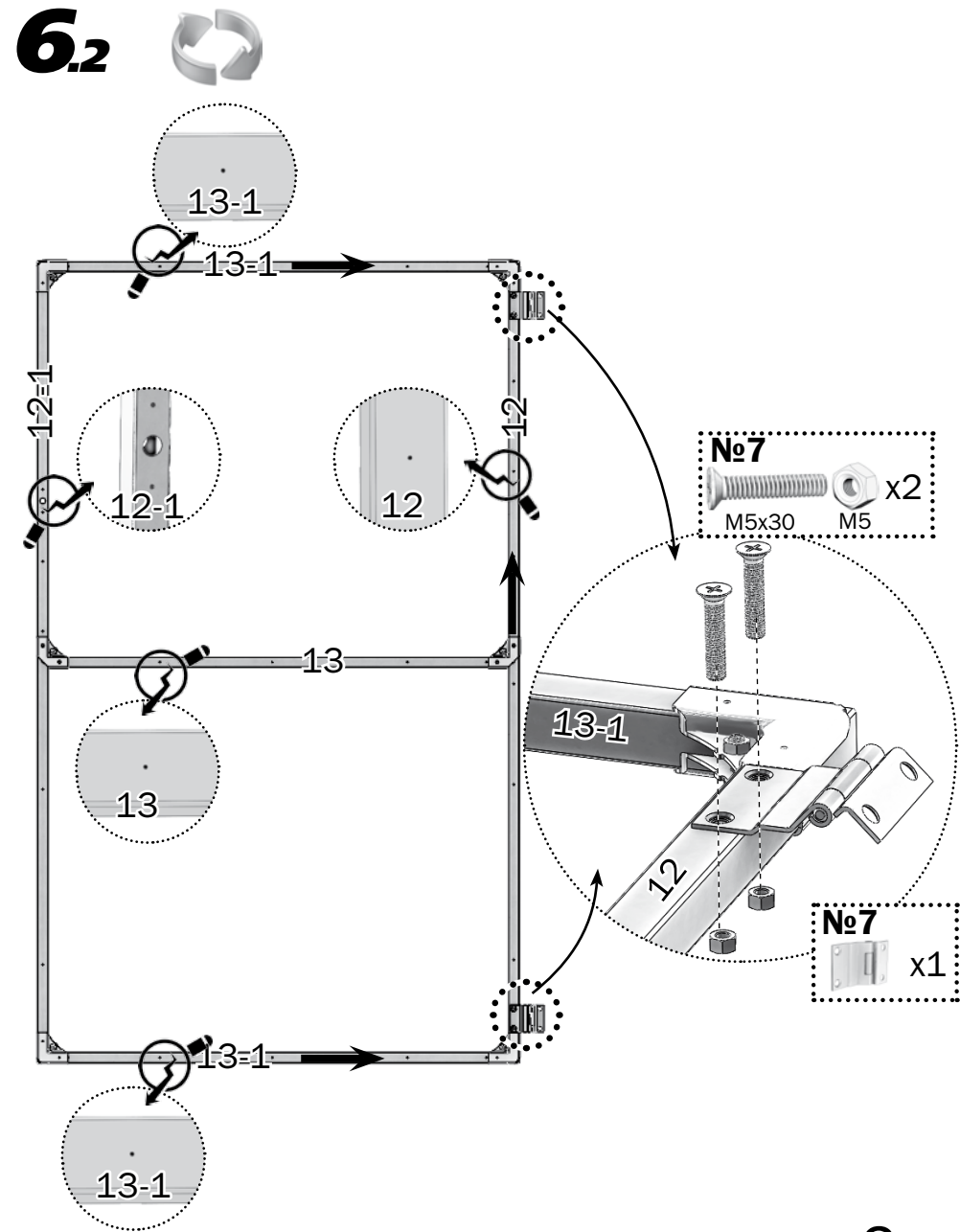
x2

6.1

- №2 12-1 x1
- №2 13 x1
- №2 12 x1
- №2 13-1 x2

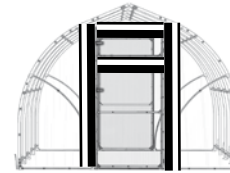


6.2



x2

6.3

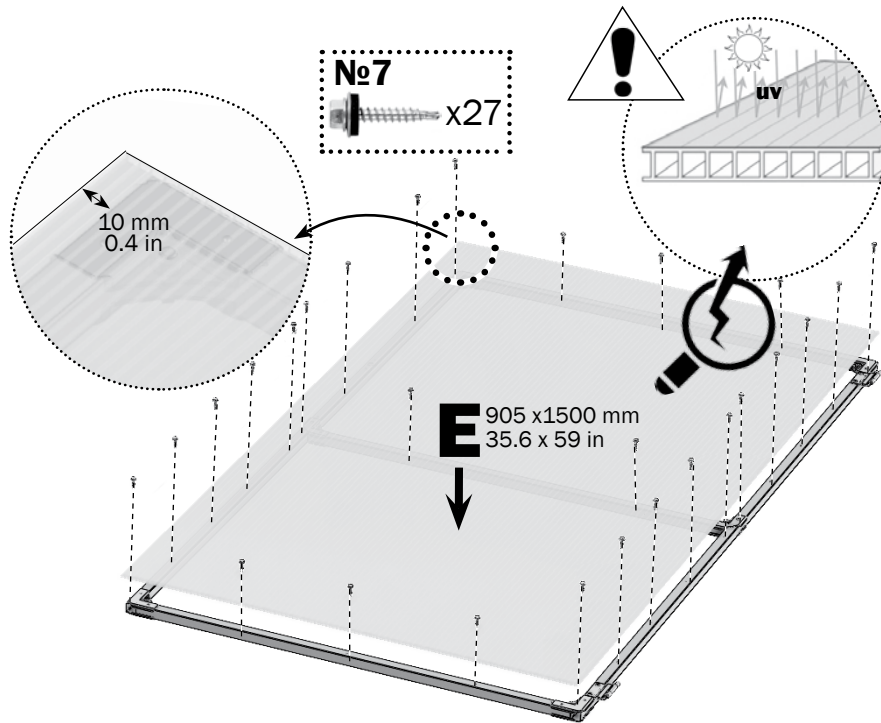


No11*
y1 x1

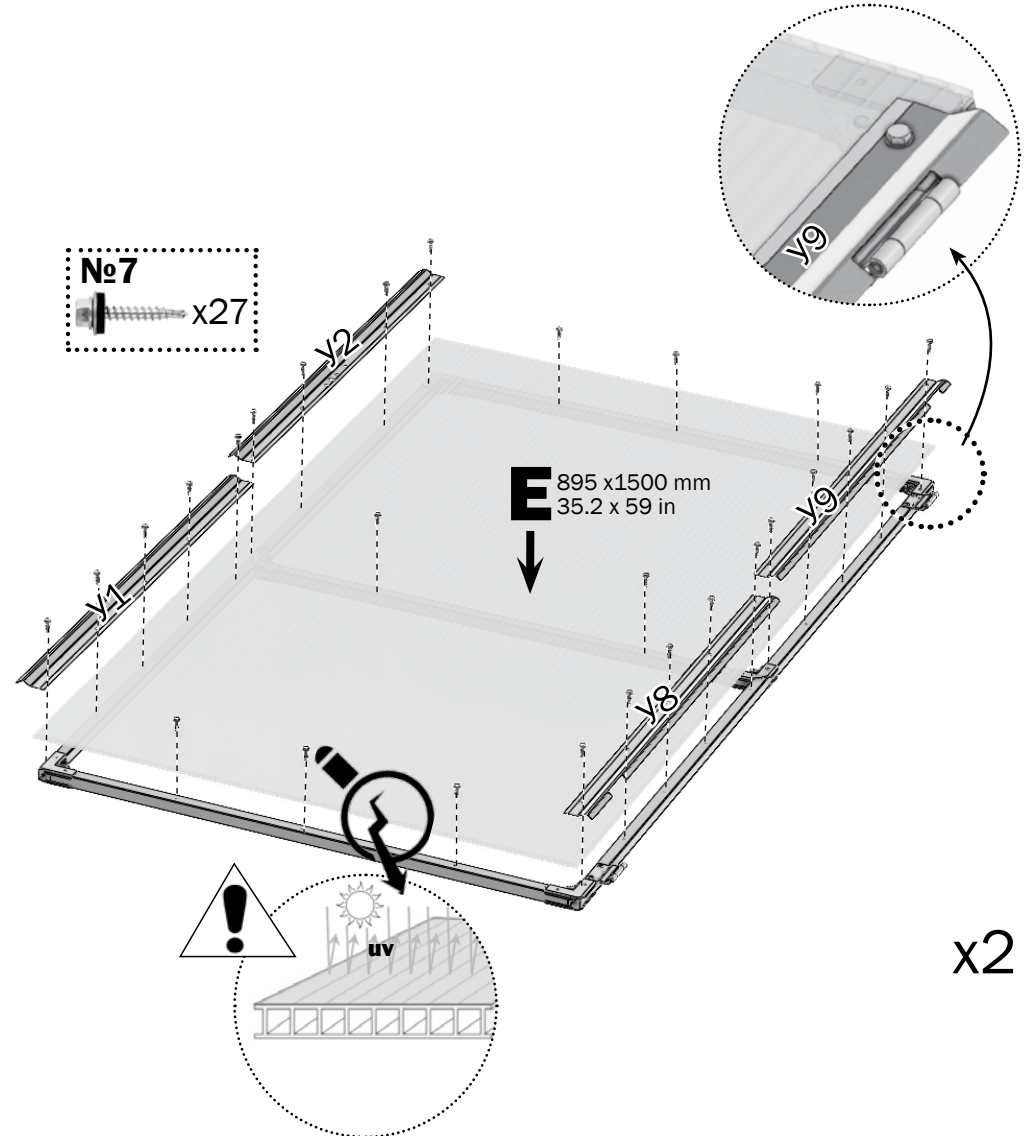
No11*
y2 x1

No11*
y8 x1

No11*
y9 x1



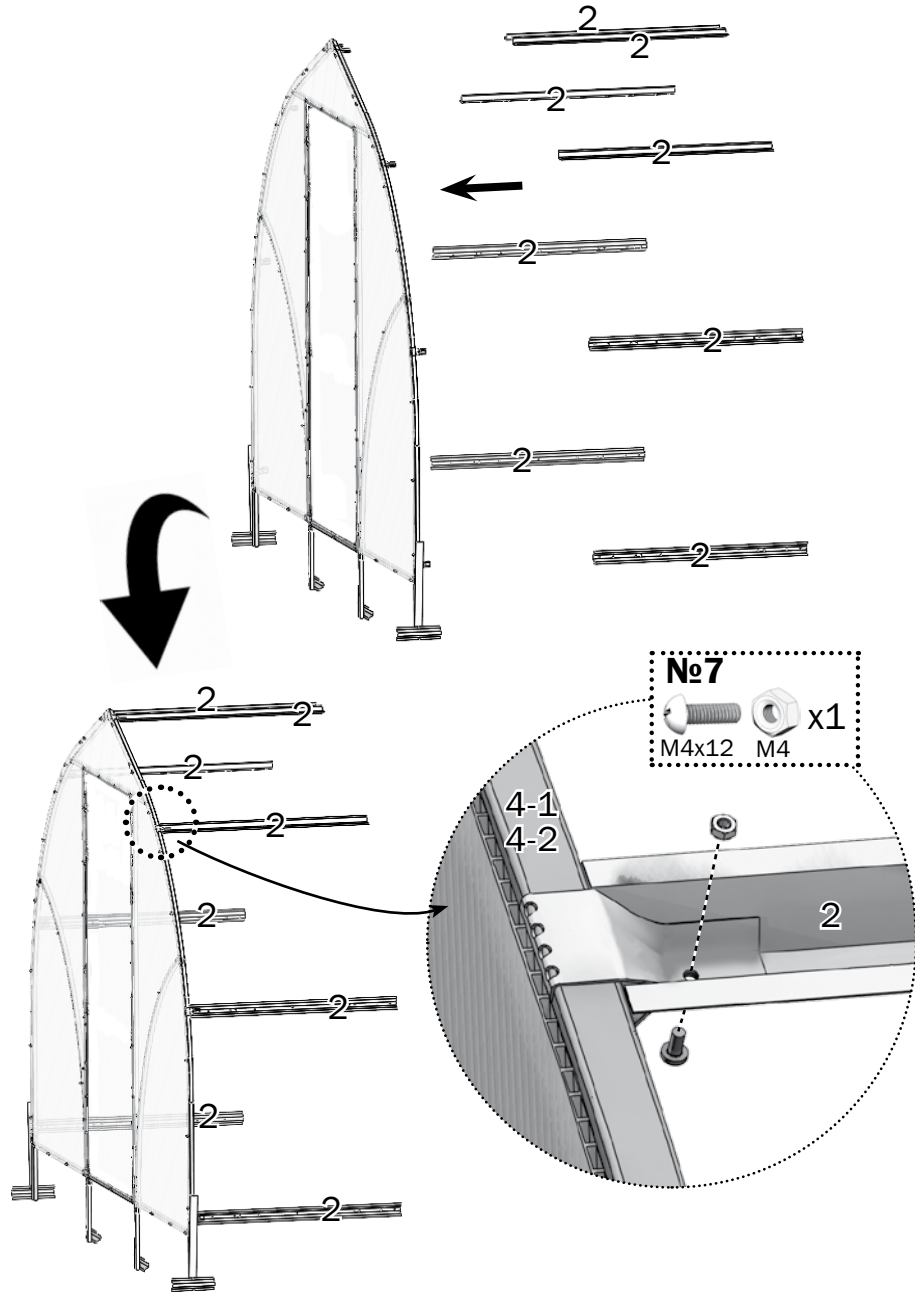
x2



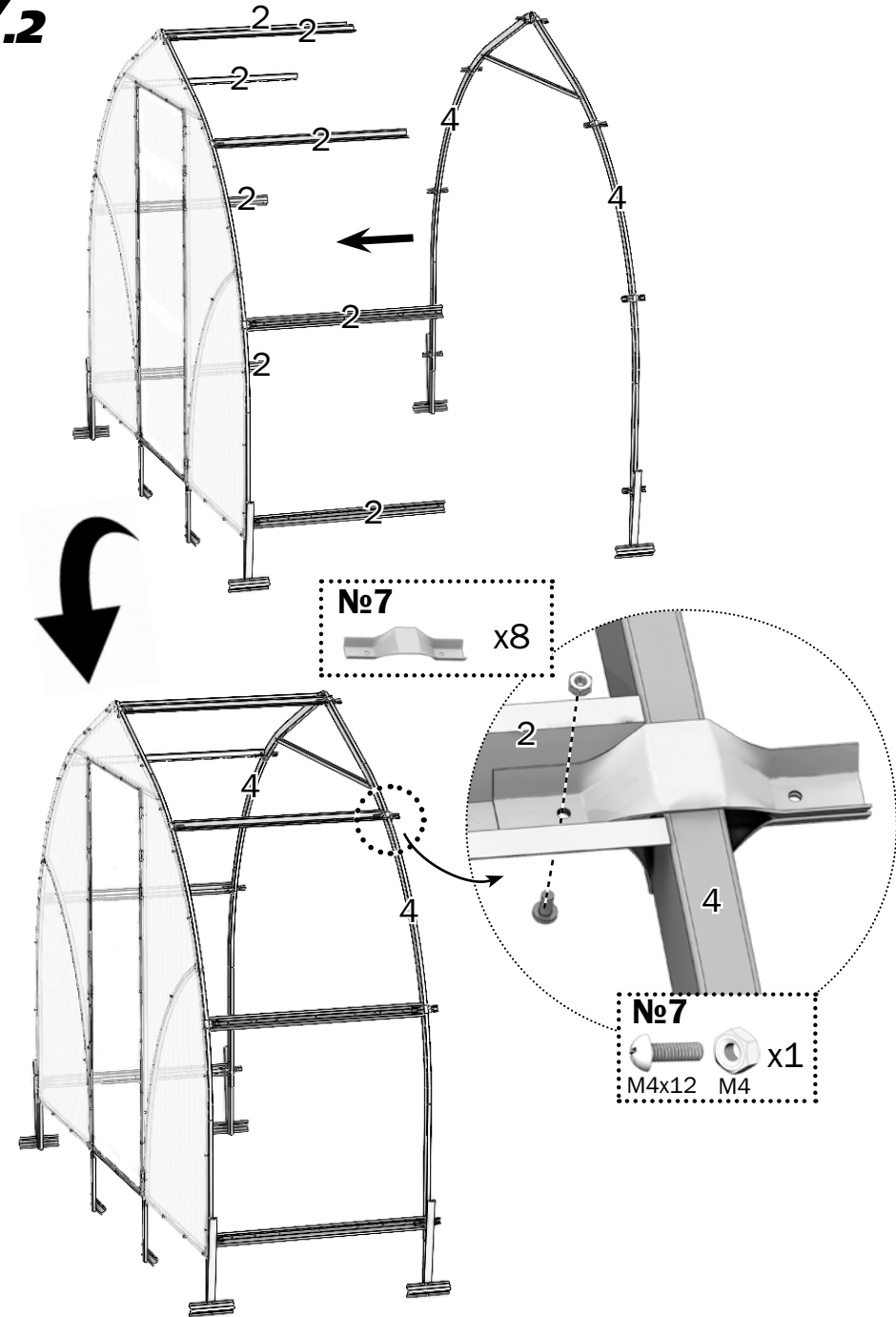
x2

7.1

№1
2 x8

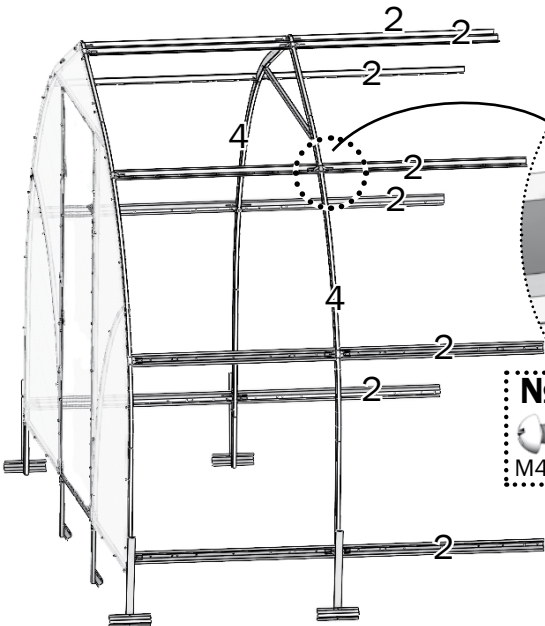
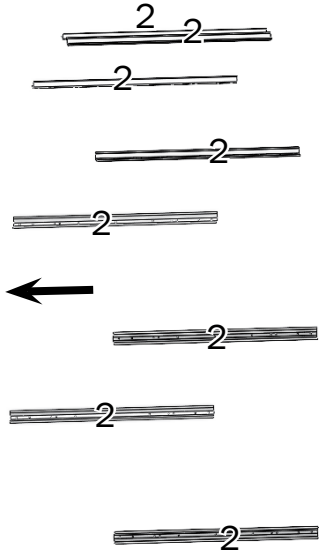
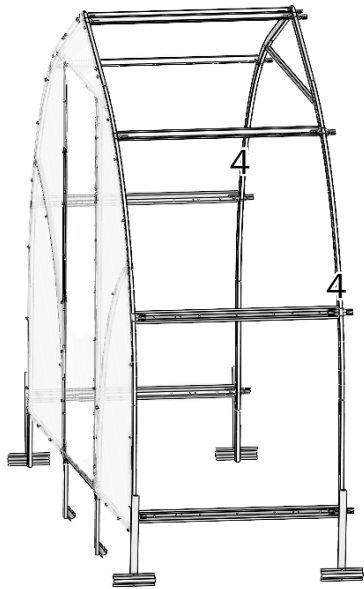


7.2



7.3

№1 2 x8



№7 x8

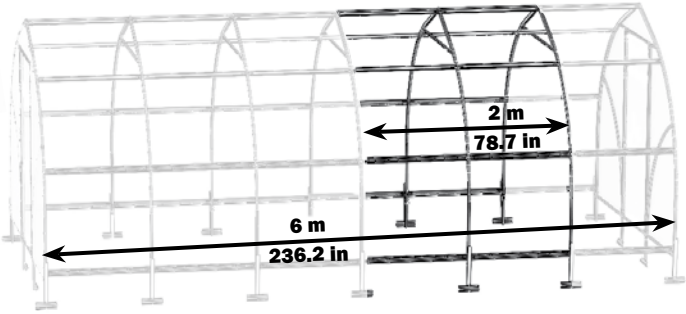
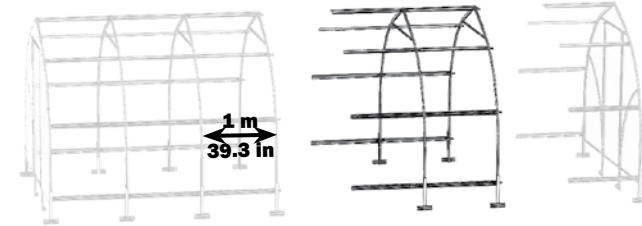
№7
M4x12 M4 x1

7.4

№1 (1m) 2 x16

№8 (1m) 4 x4

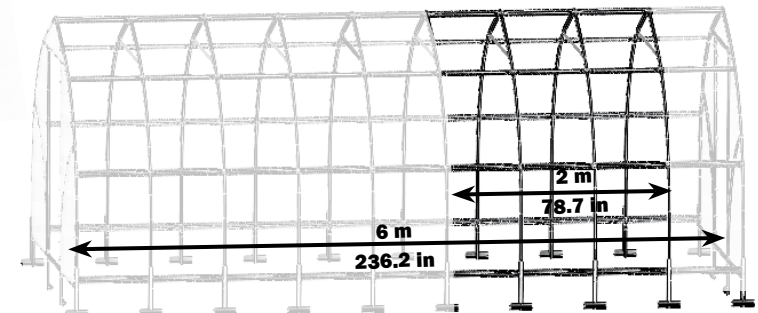
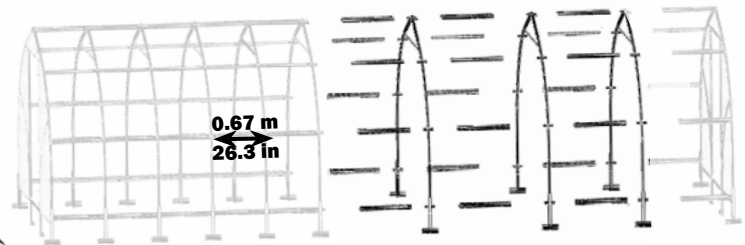
№9 (1m) 5 x2



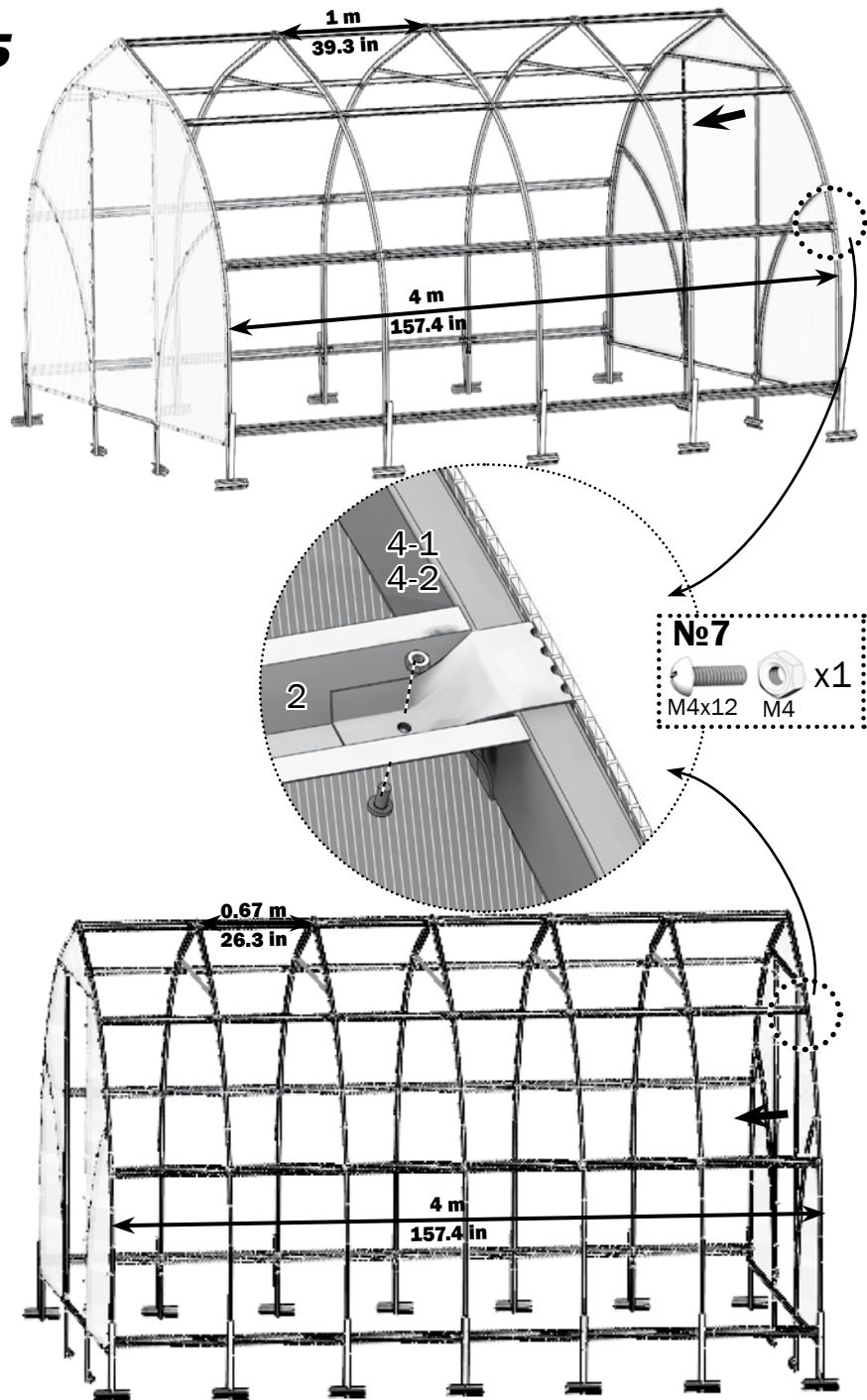
№1 (0.67m) 2 x24

№8 (0.67m) 4 x6

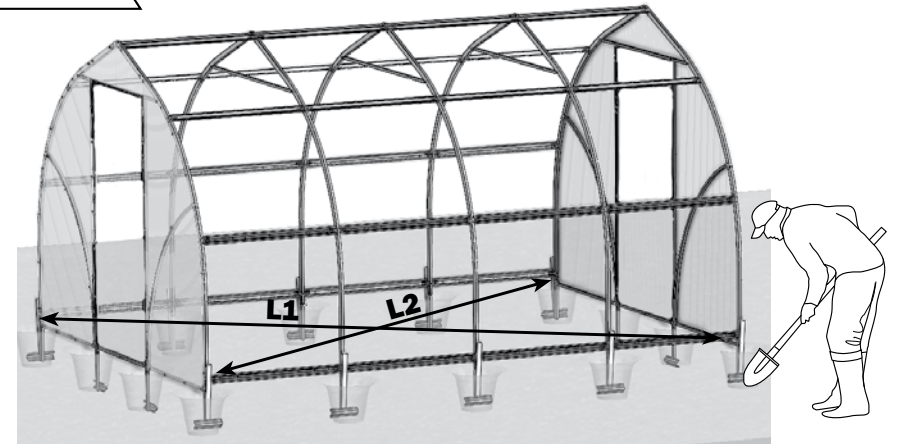
№9 (0.67m) 5 x3



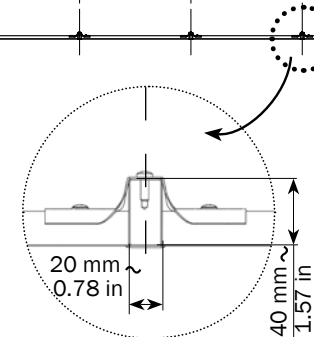
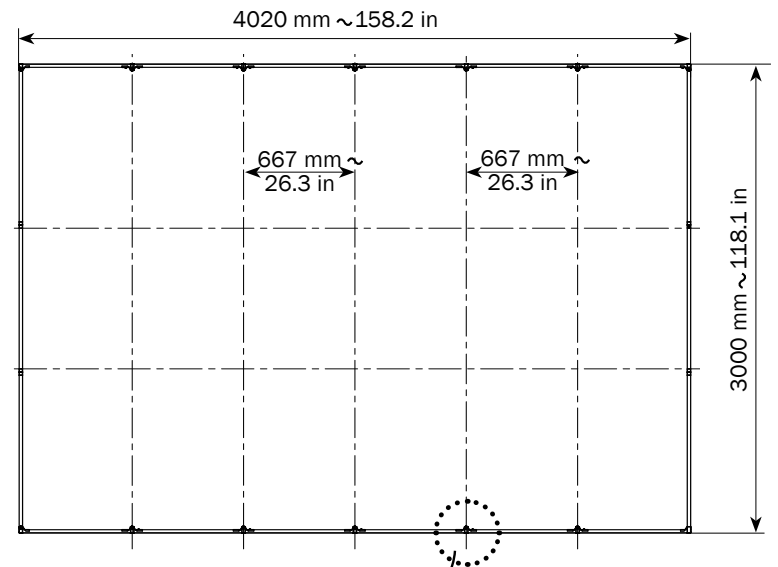
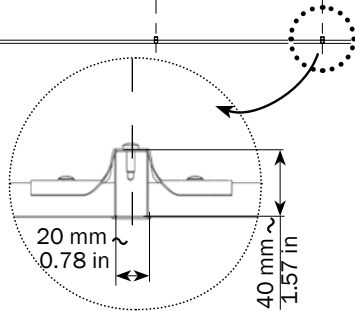
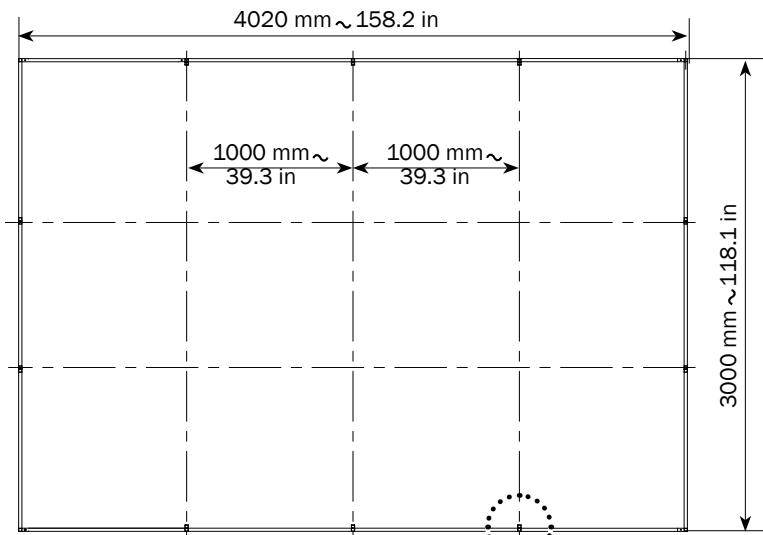
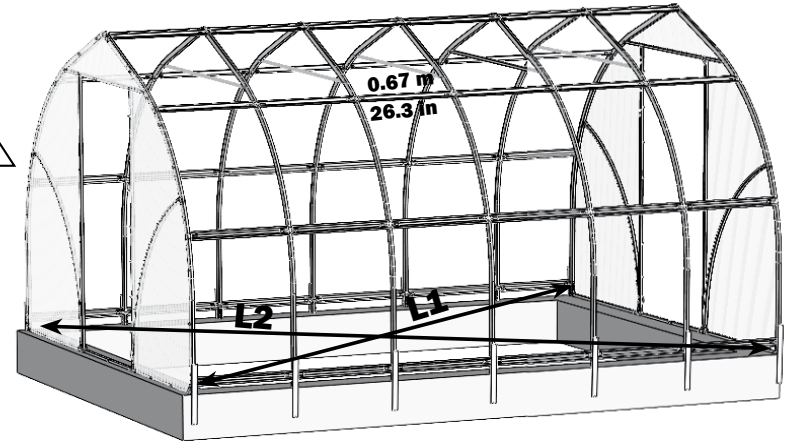
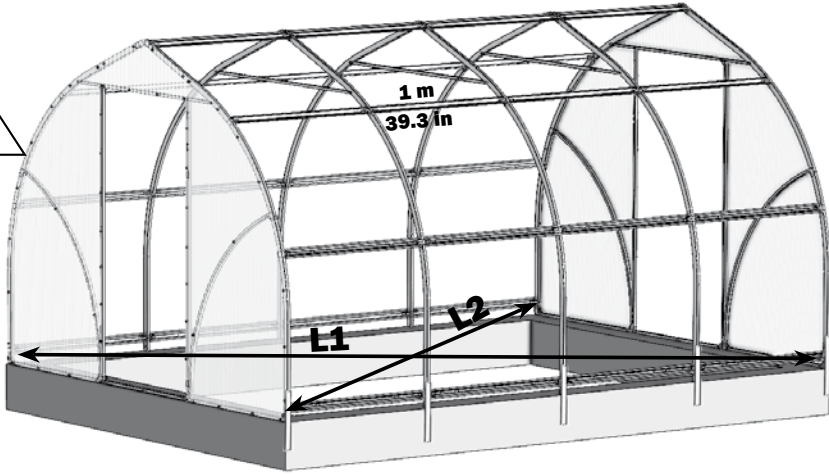
7.5



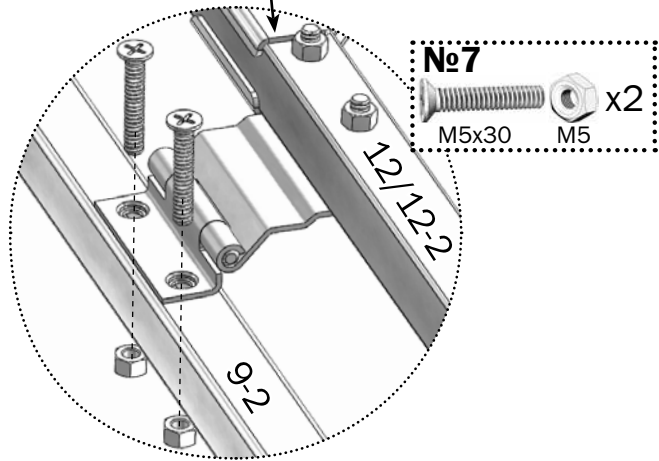
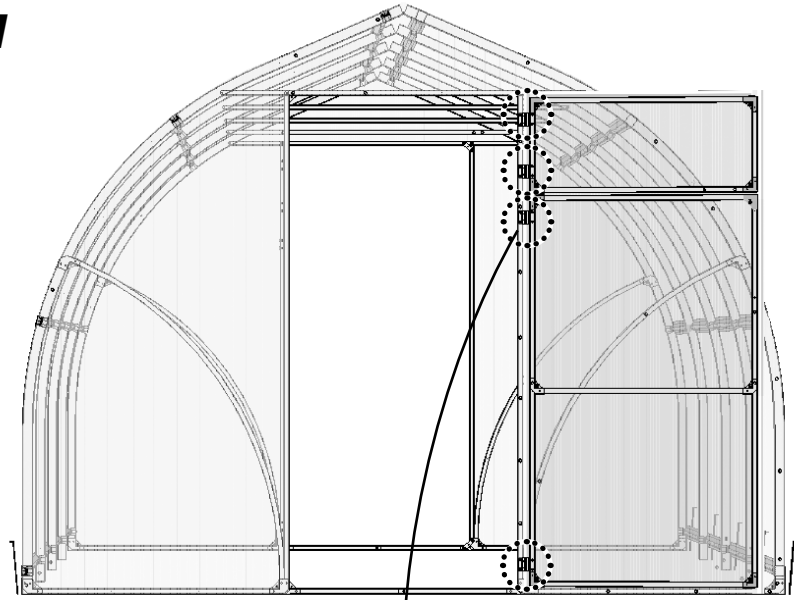
8.1



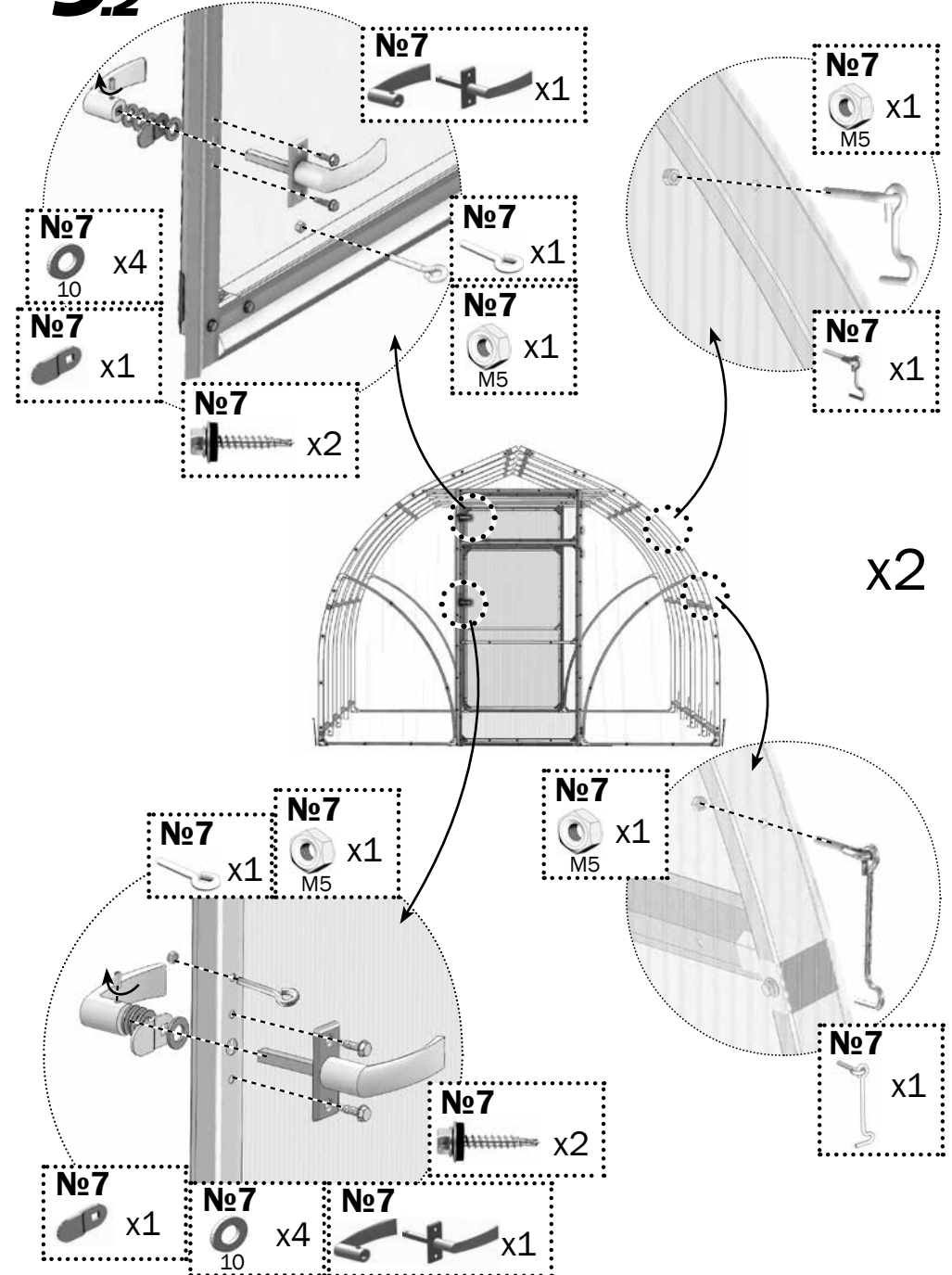
8.2



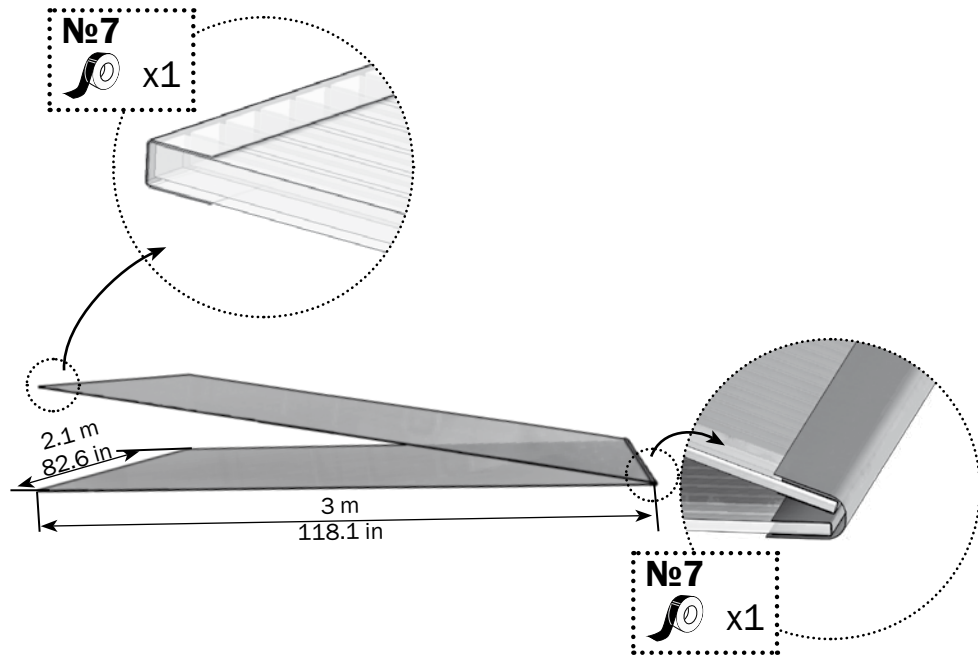
9.1



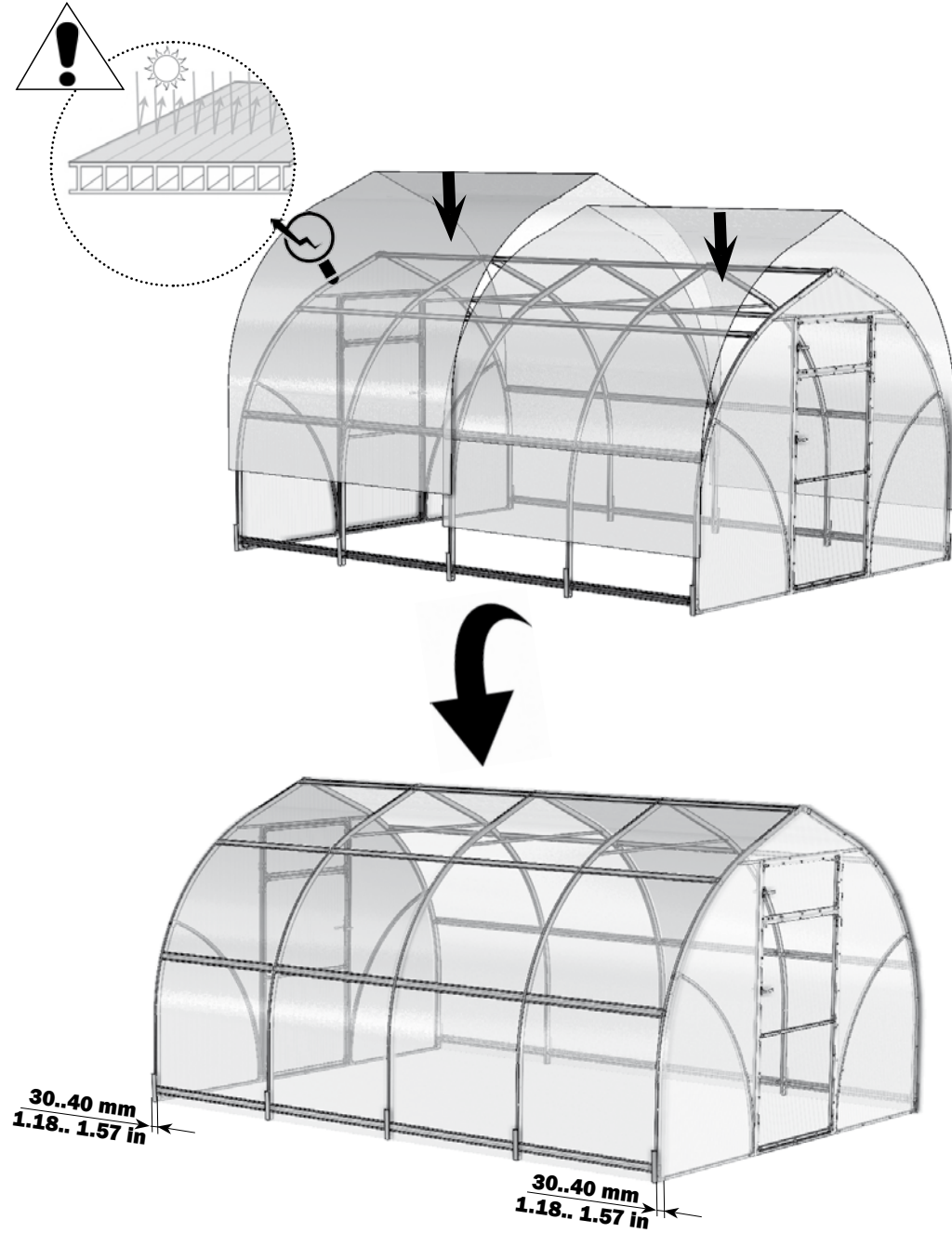
9.2



10.1

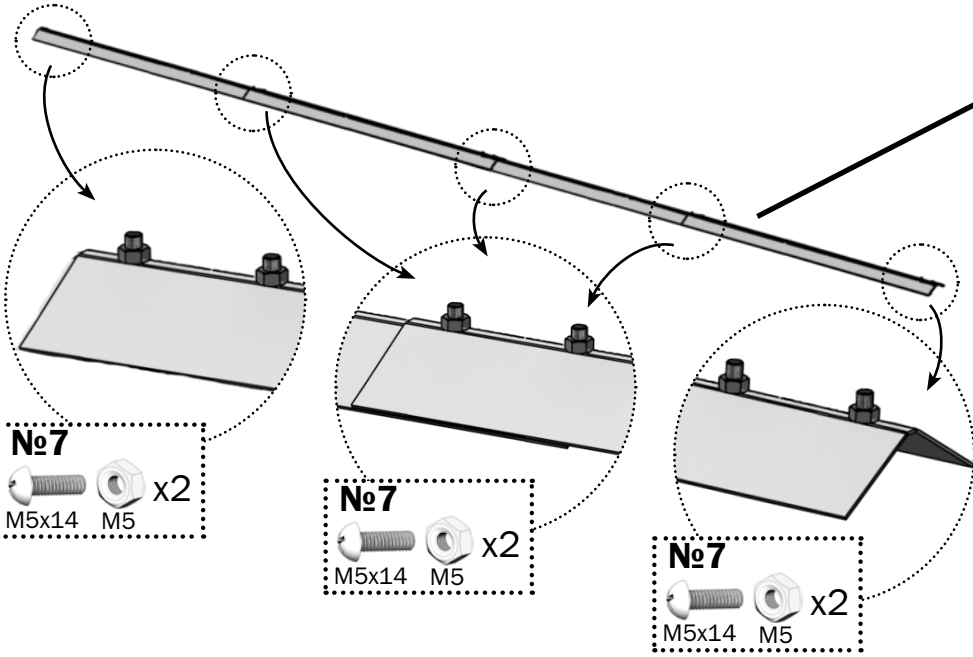


10.2



10.3

№6
x4



№7
M5x14 M5 x2

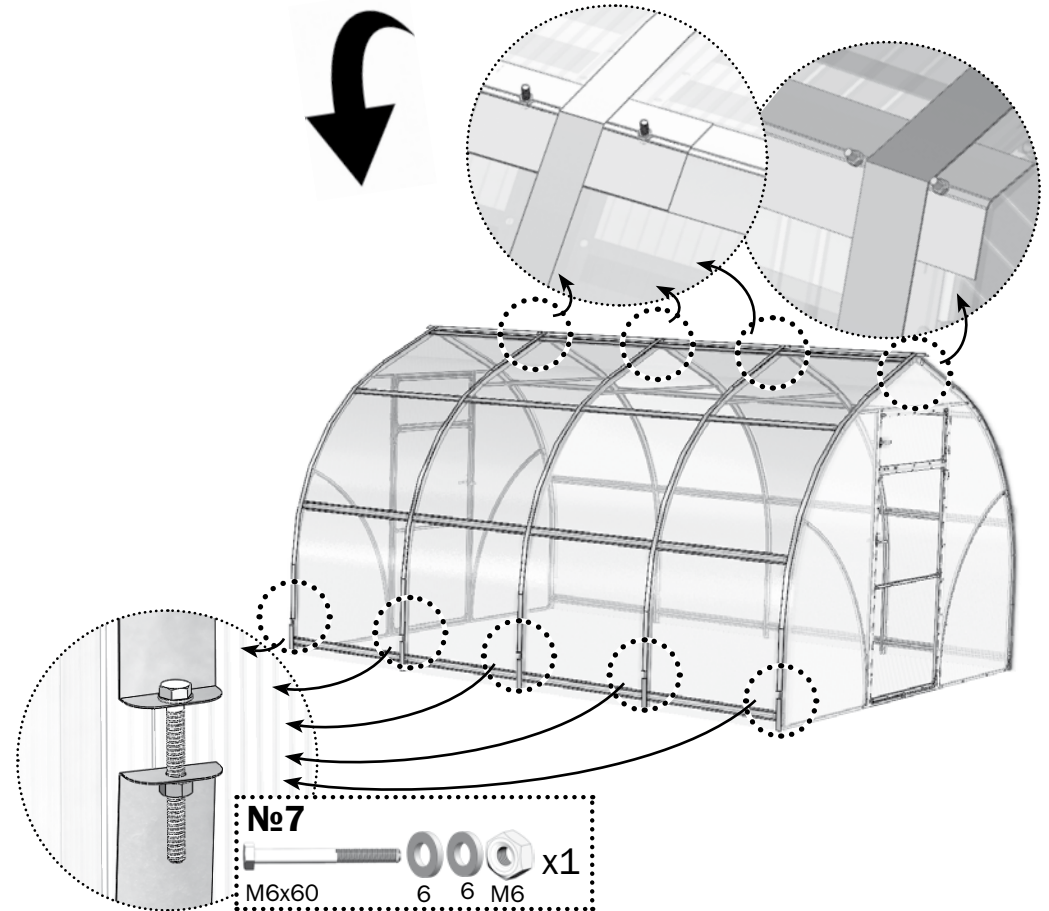
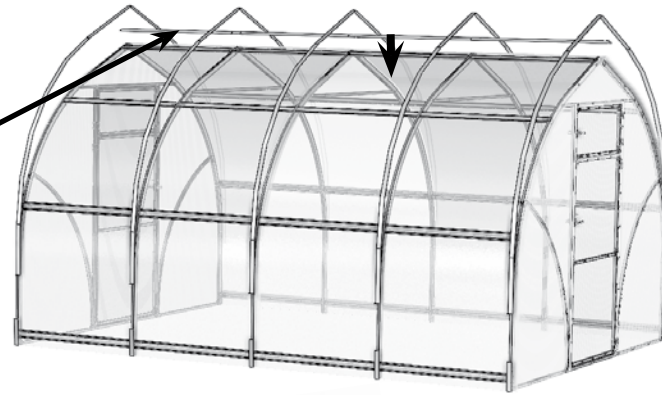
№7
M5x14 M5 x2

№7
M5x14 M5 x2

10.4


№7 x7
0.67 m
26.3 in
4m

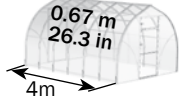
№7 x5
1 m
39.3 in
4m






№7
M6x60 6 6 M6 x1

10.5

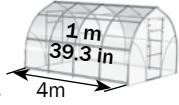



0.67 m
26.3 in
4m

№7

   x32

M4x35 32x4 M4


1 m
39.3 in
4m

